

PEWETA

· display
· measure
· distribute
· record
T I M E

Catalogue 2024

As of January 1, 2024



Perfectly connected

- PEWETA® DCFport24 telegram
- PEWETA® AirPort24 RC telegram
- NTP technology

Table of Contents

Here you will find what you are looking for.



Table of Contents

| | | | |
|--|--|-------------------------------|---------------------|
| Quartz and radio controlled clocks for indoors, up to 400 mm diameter | | Type series 106 to 190 | 3–10 |
| <input type="checkbox"/> | LCD digital clocks | | 4 |
| <input type="checkbox"/> | analog wall clocks | | 4–10 |
| <input type="checkbox"/> | with temperature and humidity display | | 8 |
| <input type="checkbox"/> | with date display | | 9 |
| Analog clocks for indoors, up to 400 mm diameter | | Type series 230 to 282 | 11–59 |
| ■ | Wall clocks, “representative” type | | 12–17 |
| <input type="checkbox"/> | with silver anodised face | | 12–15 |
| <input type="checkbox"/> | with Roman numerals | | 16 |
| <input type="checkbox"/> | with extra large numerals | | 17 |
| ■ | Wall clocks, “standard” type | | 18–59 |
| <input type="checkbox"/> | round, single face | | 18–35 |
| <input type="checkbox"/> | round, double face | | 36–41 |
| <input type="checkbox"/> | square, single face | | 42–53 |
| <input type="checkbox"/> | square, double face | | 54–59 |
| Analog clocks for indoors, 400 .. 600 mm diameter | | Type series 330 to 395 | 60–87 |
| <input type="checkbox"/> | round, single face | | 61, 64–67 |
| <input type="checkbox"/> | ☒ resistant to thrown balls (acc. to DIN) | | 64–67 |
| <input type="checkbox"/> | round, double face | | 62–63, 68–71 |
| <input type="checkbox"/> | square, single face, in-wall mounting | | 72–75 |
| <input type="checkbox"/> | square, single face, on-wall mounting | | 76–79 |
| <input type="checkbox"/> | ☒ resistant to thrown balls (acc. to DIN) | | 72–79 |
| <input type="checkbox"/> | square, double face | | 80–83 |
| <input type="checkbox"/> | clock cubes with four faces | | 84–87 |
| Special clocks | | Type series 420 to 431 | 88–95 |
| ■ | Wall clocks, waterproof/dust proof (IP 64) | | 89 |
| ■ | Wall clocks f. relaxation rooms and saunas | | 90–91 |
| ■ | Training clocks/pace clocks | | 92–95 |
| Clocks for clean rooms and surgical operating theatres | | Type series 460 to 498 | 96–110 |
| <input type="checkbox"/> | round, analog | | 96–99 |
| <input type="checkbox"/> | square, analog | | 100–103 |
| <input type="checkbox"/> | square, analog and digital | | 104–107 |
| <input type="checkbox"/> | digital, single and double face | | 108–109 |
| <input type="checkbox"/> | remote control unit for stopwatch mode | | 110 |
| Favourites | | | from page(s) |
| <input type="checkbox"/> | Standard indoor clocks, single face | | 18 |
| <input type="checkbox"/> | Clocks for mounting to media pillars | | 24 |
| <input type="checkbox"/> | Indoor clocks resistant to thrown balls | | 64 |
| <input type="checkbox"/> | Training clocks/pace clocks | | 92 and 162 |
| <input type="checkbox"/> | Clocks for surgical operating theatres | | 96 |
| <input type="checkbox"/> | Digital clocks | | 112 |
| <input type="checkbox"/> | Game result displays/scoreboards | | 142 |
| <input type="checkbox"/> | Outdoor clocks | | 150 |
| <input type="checkbox"/> | Master clocks/Signalling master clocks | | 172 |
| Digital clocks for indoors | | Type series 510 to 570 | 111–138 |
| ■ | LED digital clocks | | 112–133 |
| <input type="checkbox"/> | time display | | 112–115 |
| <input type="checkbox"/> | time and date display | | 116–127 |
| <input type="checkbox"/> | World Time Clocks | | 128–129 |
| <input type="checkbox"/> | modules for mounting in 19" racks | | 130–131 |
| <input type="checkbox"/> | for control panel mounting | | 132 |
| <input type="checkbox"/> | remote control unit for stopwatch mode | | 133 |
| ■ | LCD digital clocks | | 134–138 |
| <input type="checkbox"/> | time display | | 134–135 |
| <input type="checkbox"/> | time and date display | | 136 |
| <input type="checkbox"/> | analog clock with LCD date display | | 137–138 |
| LED digital displays for indoors | | Type series 610 to 676 | 139–148 |
| <input type="checkbox"/> | time and date display with stopwatch mode | | 140–141 |
| <input type="checkbox"/> | LED game result displays/scoreboard | | 142–148 |
| Analog clocks for outdoors, 400 .. 900 mm diameter | | Type series 730 to 790 | 149–165 |
| <input type="checkbox"/> | round, not backlighted | | 150–153 |
| <input type="checkbox"/> | ☒ resistant to thrown balls (acc. to DIN) | | 150–151 |
| <input type="checkbox"/> | round, with LED backlighting | | 154–157 |
| <input type="checkbox"/> | square, with LED backlighting | | 158–161 |
| <input type="checkbox"/> | training clock/pace clock, with LED backlighting | | 162–163 |
| <input type="checkbox"/> | clock cubes with four faces, with backlighting | | 164–165 |
| LED digital displays for outdoors | | Type series 810 to 830 | 166–169 |
| <input type="checkbox"/> | alternating time and temperature display | | 166–167 |
| <input type="checkbox"/> | soccer score display boards | | 168–169 |
| Control units | | Type series 921 to 980 | 170–183 |
| ■ | Master clocks | | 172–175 |
| <input type="checkbox"/> | for wall mounting | | 172–173 |
| <input type="checkbox"/> | for mounting in 19" racks | | 174–175 |
| ■ | DCF77 and GPS receiving aerial | | 173, 175 |
| ■ | Booster amplifier | | 176 |
| ■ | AirPort24 transmitter and repeater | | 177 |
| ■ | DCF77-controlled mini master clock | | 178 |
| ■ | NTP Time Server | | 179 |
| ■ | 19" Time Server System | | 180–183 |
| Technical information, “Good to know the details” | | | |
| <input type="checkbox"/> | Wiring diagram for PEWETA type series 921 Master Clocks | | 171 |
| <input type="checkbox"/> | DCF77 propagation range | | 184 |
| <input type="checkbox"/> | General Terms and Conditions of Sale, prices, freight and handling | | 185 |

Easy access

In the PDF version of this catalogue, the page numbers on this page and in all cross references throughout the catalogue are linked up to the pages that they point to.

Simply click on this symbol at the bottom of each page to return to the Table of contents



Indoor
analog · digital
single face

Indoor Clocks

analog · digital · single face

Sensible, matter-of-fact clocks in an attractive, up-to-date design. In the office or the shop, the surgery or the lab, the reception area or the cafeteria, the conference room or the lounge – in all those places these clocks earn the term »outstandingly suitable«.

DCF77 Radio Controlled Wall Clock



Time, date, temperature – everything at a single glance. And the price is right, too.

Case

■ Attractive, metallic silver coloured plastic case.
Protection grade IP 40 (EN 60 529).

LCD digital display

Extra large numerals provide for optimum readability of hours, minutes, and seconds, as well as date, abbreviated day of week (8 languages), indoor temperature, and humidity. Manual time zone selection. 1.5 V battery operation.

DCF77

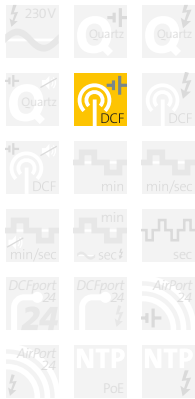
DCF77 radio controlled clock with fully automatic adjustment of time and date at initial operation as well as fully automatic change-over of summer/winter time.



51.106.093 shown

Indoor digital single face

Type series
106



DCF77 radio controlled clocks

DCF77 radio controlled clocks will only function correctly within a radius of approx. 1,500 km around Mainflingen (50 km east of Frankfurt/M.) and under conditions of free radio propagation and may be impaired in heavily reinforced concrete structures.

| Technical data | | |
|--|--|------------------------|
| Case | colour | metallic silver |
| | material | plastic |
| | dimensions (W x H x D) | cir. 410 x 270 x 43 mm |
| Display | cipher height hour/minute | cir. 110 mm |
| | cipher height date, seconds, temperature | cir. 35 mm |
| | abbreviated day of week | cir. 35 mm |
| | reading distance (hour/minute) up to | cir. 20 m |
| Weight | | cir. 1.1 kg |
| Batteries | not included | 3 x 1.5 V (baby/LR14) |
| Type | Item No. | € each |
| DCF77 radio controlled clock, battery operated 1.5 V | 51.106.093 | 159.– |



Wall Clocks

Sensible, matter-of-fact wall clocks in an attractive design. And the price is right, too.

Case

- cir. 250 mm diameter
 - cir. 300 mm diameter
- plastic case, choice of white, black or matt silver.
Protection grade IP 40 (EN 60529).

Front glass

Flat mineral glass.

Face

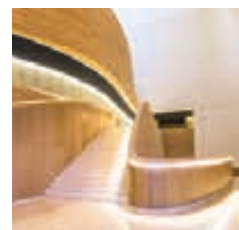
White face with black Arabic numerals or black DIN bar markings.

Hands

Black bar-type hour and minute hands, red second hand.



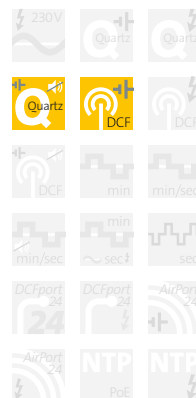
51.130.322 shown



Indoor
analog
single face

Type series

130



| Type | Case diameter | Markings | Colour | Item No. | € each |
|--|---------------|----------|--------|------------|--------|
| Quartz clock, soundless, battery operated 1.5 V | 250 mm | numerals | white | 44.130.211 | 39.- |
| | | numerals | black | 44.130.212 | 39.- |
| | | numerals | silver | 44.130.213 | 39.- |
| DCF77 radio controlled clock, battery operated 1.5 V | 250 mm | numerals | white | 51.130.211 | 49.- |
| | | numerals | black | 51.130.212 | 49.- |
| | | numerals | silver | 51.130.213 | 49.- |
| Quartz clock, soundless, battery operated 1.5 V | 300 mm | numerals | white | 44.130.311 | 49.- |
| | | numerals | black | 44.130.312 | 49.- |
| | | numerals | silver | 44.130.313 | 49.- |
| | | DIN bars | black | 44.130.322 | 49.- |
| DCF77 radio controlled clock, battery operated 1.5 V | 300 mm | numerals | white | 51.130.311 | 59.- |
| | | numerals | black | 51.130.312 | 59.- |
| | | numerals | silver | 51.130.313 | 59.- |
| | | DIN bars | black | 51.130.322 | 59.- |

Quartz type

- creeping second hand
- soundless clockwork



51.130.311



51.130.312



51.130.313

All prices are subject to change without notice, packing and shipping cost (see page 185) as well as VAT for deliveries within Germany added. Prices shown as of January 1st, 2024. If you have any questions or require additional information, please contact us, we will gladly give advice.



DCF77 Radio Controlled Wall Clocks

with creeping second hand, soundless



Indoor
analog
single face

Large, state-of-the-art DCF77 radio controlled wall clocks in an attractive design. Soundless clockwork. No ticking.

Case

■ cir. 350 mm diameter plastic case, choice of white, black or matt silver. Protection grade IP 40 (EN 60529).

Front glass

Flat mineral glass.

Face

White face with black numerals or black DIN bar markings.

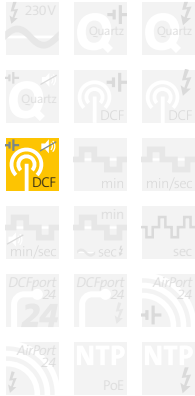
Hands

Black bar-type hour and minute hands, red second hand with creeping motion.



55.131.313 shown

Type series
131



DCF77 radio controlled clocks

DCF77 radio controlled clocks will only function correctly within a radius of approx. 1,500 km around Mainflingen (50 km east of Frankfurt/M.) and under conditions of free radio propagation and may be impaired in heavily reinforced concrete structures.



55.131.311



55.131.322

| Type | Markings | Case colour | Item No. | € each |
|---|----------|-------------|------------|--------|
| DCF77 radio controlled clock, soundless, battery operated 1.5 V | numerals | white | 55.131.311 | 75.- |
| | numerals | matt silver | 55.131.313 | 75.- |
| | DIN bars | black | 55.131.322 | 75.- |

All types

- creeping second hand
- soundless clockwork



Wall Clocks

with "Railway Station Clock" style second hand

Attractive wall clock in a classy aluminium case with a distinctive "Railway Station Clock" style second hand.

Case

■ cir. 300 mm diameter
metal case, aluminium, matt brushed.
Protection grade IP 40 (EN 60 529).

Front glass

Flat mineral glass.

Face

Typical "Railway Station Clock" style face with black DIN bar markings.

Hands

Black bar-type hour and minute hands, typical "Railway Station Clock" style second hand with "eye".



51.150.325 shown

| Type | Item No. | € each |
|--|------------|--------|
| Quartz clock, soundless, battery operated 1.5 V | 44.150.325 | 63.- |
| DCF77 radio controlled clock, battery operated 1.5 V | 51.150.325 | 79.- |

Quartz type

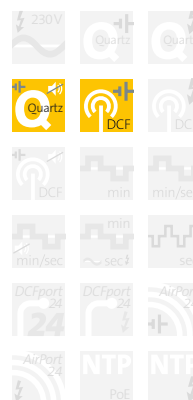
- creeping second hand
- soundless clockwork



Indoor
analog
single face

Type series

150



DCF77 radio controlled clocks

DCF77 radio controlled clocks will only function correctly within a radius of approx. 1,500 km around Mainflingen (50 km east of Frankfurt/M.) and under conditions of free radio propagation and may be impaired in heavily reinforced concrete structures.

DCF77 Radio Controlled Wall Clock

with insert displays indicating temperature and humidity



Indoor
analog
single face

Sensible wall clock in an attractive design – indications of temperature and humidity included!

Case

■ cir. 300 mm diameter metal case, aluminium, matt brushed. Protection grade IP 40 (EN 60 529).

Front glass

Flat mineral glass.

Face

White face with black Arabic numerals, LCD display for weather trend, temperature, and humidity.

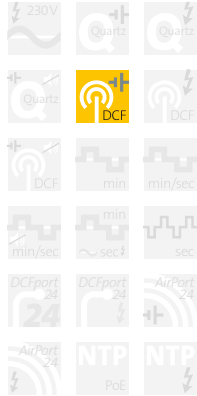
Hands

Black bar-type hour and minute hands, red second hand.



51.161.315 shown

Type series
161



DCF77 radio controlled clocks

DCF77 radio controlled clocks will only function correctly within a radius of approx. 1,500 km around Mainflingen (50 km east of Frankfurt/M.) and under conditions of free radio propagation and may be impaired in heavily reinforced concrete structures.

| Type | Item No. | € each |
|--|------------|--------|
| DCF77 radio controlled clock, battery operated 1.5 V | 51.161.315 | 75.- |



DCF77 Radio Controlled Wall Clocks with LCD date display

Highly functional wall clocks in an attractive design – outstandingly suited for environments where date and time must be instantly readable free of doubt.

Case

■ cir. 300 mm diameter plastic case, choice of black or matt silver. Protection grade IP 40 (EN 60529).

Front glass

Domed clear plastic.

Face

White with black Arabic numerals, very easy-to-read LCD display showing abbreviated day of week (in German only), month and day.

Hands

Black bar-type hour and minute hands, red second hand.



51.170.313 shown

| Type | Colour | Item No. | € each |
|--|--------|------------|--------|
| DCF77 radio controlled clock, battery operated 1.5 V | black | 51.170.312 | 64.– |
| | silver | 51.170.313 | 69.– |



Indoor
analog
single face

Type series

170



DCF77 radio controlled clocks

DCF77 radio controlled clocks will only function correctly within a radius of approx. 1,500 km around Mainflingen (50 km east of Frankfurt/M.) and under conditions of free radio propagation and may be impaired in heavily reinforced concrete structures.



51.170.312

DCF77 Radio Controlled Wall Clocks



Attractive, radio controlled wall clocks in an up-to-date design. One look tells you the time, accurate to the second.

Case

- cir. 200 mm diameter
 - cir. 300 mm diameter
 - cir. 400 mm diameter
- metal case, aluminium, matt brushed. Protection grade IP 40 (EN 60529).

Front glass

Flat mineral glass.

Face

White face with black Arabic numerals.

Hands

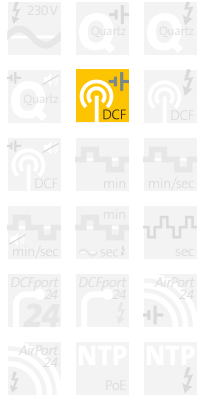
Black bar-type hour and minute hands, red second hand.



51.190.205 shown

Indoor
analog
single face

Type series
190



DCF77 radio controlled clocks

DCF77 radio controlled clocks will only function correctly within a radius of approx. 1,500 km around Mainflingen (50 km east of Frankfurt/M.) and under conditions of free radio propagation and may be impaired in heavily reinforced concrete structures.

| Type | Case diameter | Item No. | € each |
|--|---------------|------------|--------|
| DCF77 radio controlled clock, battery operated 1.5 V | 200 mm | 51.190.205 | 59.- |
| | 300 mm | 51.190.305 | 79.- |
| | 400 mm | 51.190.405 | 105.- |





Indoor
analog
single and
double faces

Indoor Clocks

analog · single and double faces

*Demanding environments require high quality clocks,
instantly readable from any direction and clear enough to
avoid error or doubt even at long distances.*

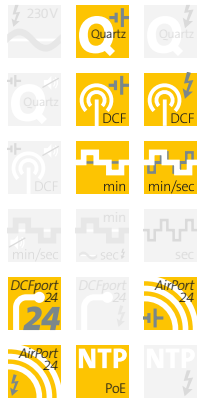
That's all the time you need ...

Wall Clocks with **printed** bar markings



Indoor
analog
single face

Type series
230



DCF77 radio controlled clocks

DCF77 radio controlled clocks will only function correctly within a radius of approx. 1,500 km around Mainflingen (50 km east of Frankfurt/M.) and under conditions of free radio propagation and may be impaired in heavily reinforced concrete structures. For this case we recommend a removable DCF77 aerial (option).

PEWETA DCFport24
PEWETA DCFport24 slave clocks require a PEWETA master clock (see from page 172 on).

PEWETA AirPort24
PEWETA AirPort24 slave clocks require an AirPort24 transmitter or repeater respectively (see page 177).

NTP
NTP system clocks require a PEWETA master clock (see from page 172 on) or an NTP time server (see page 179).

Distinctive clocks with high-contrast faces – black bar markings on silver anodised aluminium faces.

Case

■ cir. 300 mm diameter metal case, enamelled black (RAL 9005), optionally stainless steel case (1.4301 X5CrNi 18-10, German trade name V2A) in a matted finish or metal case enamelled in colours (see list below).
Protection grade IP 40 (EN 60529).

Front glass

Domed mineral glass as standard, shock-resistant Plexiglas® XT as an option.

Packaging (Option)

As an option, clockwork packaged to protect it against blown dust and/or sprayed water (IP 54 according to EN 60529) is available.

Face

Metal face, enamelled silver anodised aluminium with a radial brush finish, high contrast black bar type markings.

Hands

Black bar-type hour and minute hands, black second hand.

No second hand on minute pulse 12...60 V controlled slave clocks.

Power outage reserve
DCF77 radio controlled clocks and AirPort24 slave clocks with a 230 VAC power supply of this type series provide continued operation for approx. 14 days in case of a mains power outage.



41.230.341 -20



41.230.341 shown

| Clock type | Item No. | € each |
|---|------------|--------|
| Quartz clock, battery operated 1.5 V | 41.230.341 | 240.– |
| DCF77 radio controlled clock, battery operated 1.5 V | 51.230.341 | 295.– |
| DCF77 radio controlled clock, mains operated 230 VAC, with outage reserve | 52.230.341 | 375.– |
| Slave clock, minute pulse 12...60 V | 71.230.341 | 255.– |
| Slave clock, minute/second pulse 12/24 V | 72.230.341 | 480.– |
| Telegram slave clock, DCFport24 | 81.230.341 | 280.– |
| RC telegram slave clock, AirPort24, battery operated 1.5 V | 84.230.341 | 384.– |
| RC telegram slave clock, AirPort24, mains operated 230 VAC, with outage reserve | 85.230.341 | 444.– |
| NTP system clock (NTP client), synchronisation by LAN, PoE ¹⁾ | 91.230.341 | 429.– |

| Options | Suffix | Surcharge € each |
|--|--------|------------------|
| Case enamelled in metallic silver grey RAL 9006 | -05 | none |
| Case enamelled in metallic dark gun metal DB 703 | -06 | none |
| Case custom enamelled | -10 | on request |
| Case stainless steel V2A, matted finish | -20 | 89.– |
| Low reflectivity front glass | -50 | on request |
| Shock-resistant Plexiglas® XT (instead of mineral glass) | -53 | 59.– |
| Packaging against dust and spray (IP 54) | -54 | 69.– |
| External DCF77 receiving aerial (cannot be added later) | -60 | 169.– |

Options – just as you like them ...

These clocks are available optionally with customised features at the surcharges as listed. Just pick your option(s) and add the appropriate suffix(es) to the Item No.

| Case colour | Suffix |
|---------------------------------|--------|
| ■ jet black RAL 9005 | -01 |
| ■ metallic silver grey RAL 9006 | -05 |
| ■ dark gun metal DB 703 | -06 |
| ■ custom enamelled | -10 |

¹⁾NTP system clocks of "PoE" type require a PoE (Power over Ethernet) power supply. Appropriate hardware has to be supplied by customer.



Wall Clocks with **elevated** bar markings

A wall clock of marked exclusivity – distinctive prominent bar markings lend an individual and unmistakable appearance to this clock. The domed front glass may be removed at the customer's discretion to bring the prominent face structure to even better view.

Case

■ cir. 300 mm diameter metal case, enamelled black (RAL 9005), optionally stainless steel case (1.4301 X5CrNi 18-10, German trade name V2A) in a matted finish or metal case enamelled in colours (see list below).
Protection grade IP 40 (EN 60 529).

Front glass

Domed shock-resistant Plexiglas® XT, may be removed at customer's discretion (resulting protection grade IP 30).

Face

Metal, silver anodised with radial brush finish, prominent black bar-type markings, elevated.

Hands

Black bar-type hour and minute hands, black second hand.

No second hand on minute pulse 12...60 V controlled slave clocks.

Power outage reserve

DCF77 radio controlled clocks and *AirPort24* slave clocks with a 230 VAC power supply of this type series provide continued operation for approx. 14 days in case of a mains power outage.



41.232.441 -20



41.232.441 shown

| Clock type | Item No. | € each |
|---|------------|--------|
| Quartz clock, battery operated 1.5 V | 41.232.441 | 404.– |
| DCF77 radio controlled clock, battery operated 1.5 V | 51.232.441 | 469.– |
| DCF77 radio controlled clock, mains operated 230 VAC, with outage reserve | 52.232.441 | 549.– |
| Slave clock, minute pulse 12...60 V | 71.232.441 | 409.– |
| Slave clock, minute/second pulse 12/24 V | 72.232.441 | 634.– |
| Telegram slave clock, <i>DCFport24</i> | 81.232.441 | 444.– |
| RC telegram slave clock, <i>AirPort24</i> , battery operated 1.5 V | 84.232.441 | 548.– |
| RC telegram slave clock, <i>AirPort24</i> , mains operated 230 VAC, with outage reserve | 85.232.441 | 608.– |
| NTP system clock (NTP client), synchronisation by LAN, PoE ¹⁾ | 91.232.441 | 593.– |

| Options | Suffix | Surcharge € each |
|---|--------|------------------|
| Case enamelled in metallic silver grey RAL 9006 | -05 | none |
| Case enamelled in metallic dark gun metal DB 703 | -06 | none |
| Case custom enamelled | -10 | on request |
| Case stainless steel V2A, matted finish | -20 | 109.– |
| Low reflectivity front glass | -50 | on request |
| External DCF77 receiving aerial (cannot be added later) | -60 | 169.– |

Options – just as you like them ...

These clocks are available optionally with customised features at the surcharges as listed. Just pick your option(s) and add the appropriate suffix(es) to the Item No.

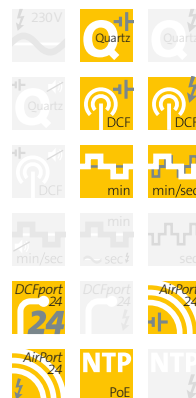
| Case colour | Suffix |
|---------------------------------|--------|
| ■ jet black RAL 9005 | -01 |
| ■ metallic silver grey RAL 9006 | -05 |
| ■ dark gun metal DB 703 | -06 |
| ? custom enamelled | -10 |

¹⁾NTP system clocks of "PoE" type require a PoE (Power over Ethernet) power supply. Appropriate hardware has to be supplied by customer.



Indoor
analog
single face

Type series
232



DCF77 radio controlled clocks

DCF77 radio controlled clocks will only function correctly within a radius of approx. 1,500 km around Mainflingen (50 km east of Frankfurt/M.) and under conditions of free radio propagation and may be impaired in heavily reinforced concrete structures. For this case we recommend a removable DCF77 aerial (option).

PEWETA *DCFport24*

PEWETA *DCFport24* slave clocks require a PEWETA master clock (see from page 172 on).

PEWETA *AirPort24*

PEWETA *AirPort24* slave clocks require an *AirPort24* transmitter or repeater respectively (see page 177).

NTP

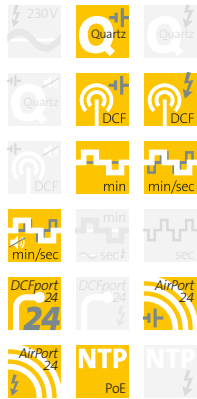
NTP system clocks require a PEWETA master clock (see from page 172 on) or an NTP time server (see page 179).

Wall Clocks single face



Indoor
analog
single face

Type series
240



DCF77 radio controlled clocks

DCF77 radio controlled clocks will only function correctly within a radius of approx. 1,500 km around Mainflingen (50 km east of Frankfurt/M.) and under conditions of free radio propagation and may be impaired in heavily reinforced concrete structures. For this case we recommend a removable DCF77 aerial (option).

PEWETA DCFport24
PEWETA DCFport24 slave clocks require a PEWETA master clock (see from page 172 on).

PEWETA AirPort24
PEWETA AirPort24 slave clocks require an AirPort24 transmitter or repeater respectively (see page 177).

NTP
NTP system clocks require a PEWETA master clock (see from page 172 on) or an NTP time server (see page 179).

Sophisticated clocks for demanding environments – a professional means of showing the time.

Case

- cir. 300 mm diameter
- cir. 400 mm diameter

very sturdy metal case, as standard enamelled charcoal-metallic (dark gun metal, DB 703) or, as an option, enamelled in colours (see list below). As an option, a stainless steel case (1.4301 X5CrNi 18-10, German trade name V2A) is available in a matted finish. Protection grade IP 40 (EN 60529).

Snap-tight fixture (option)

As an option, these clocks are available with an additional mounting fixture to prohibit dropping or wrenching off. No protection against thrown balls.

Front glass

Domed mineral glass on 300 mm cases, shock-resistant Plexiglas® XT on 400 mm cases. As an option, low reflectivity front glass is available.

Packaging (option)

As an option, clockwork packaged to protect it against blown dust and/or sprayed water (IP 54 according to EN 60529) is available.

Face

Silver anodised with radial brush finish, black Arabic numerals for easy, doubt-free reading even over longer distances. Face printed according to DIN 41 091.

Hands

Black bar-type hour and minute hands, black second hand. No second hand on minute pulse 12...60 V controlled slave clocks.

Power outage reserve

DCF77 radio controlled clocks and AirPort24 slave clocks with a 230 VAC power supply of this type series provide continued operation for approx. 14 days in case of a mains power outage.

Snap-tight fixture (option)



41.240.311 shown

| Clock type | 300 mm Item No. | € each | 400 mm Item No. | € each |
|---|-----------------|--------|-----------------|--------|
| Quartz clock, battery operated 1.5 V | 41.240.311 | 220.– | 41.240.411 | 314.– |
| DCF77 radio controlled clock, battery operated 1.5 V | 51.240.311 | 275.– | 51.240.411 | 379.– |
| DCF77 radio controlled clock, mains operated 230 VAC, with outage reserve | 52.240.311 | 355.– | 52.240.411 | 459.– |
| Slave clock, minute pulse 12...60 V | 71.240.311 | 235.– | 71.240.411 | 319.– |
| Slave clock, minute/second pulse 12/24 V | 72.240.311 | 460.– | 72.240.411 | 544.– |
| Slave clock, minute/second pulse 12/24 V, extra low noise motion | 73.240.311 | 600.– | 73.240.411 | 684.– |
| Telegram slave clock, DCFport24 | 81.240.311 | 260.– | 81.240.411 | 354.– |
| RC telegram slave clock, AirPort24, battery operated 1.5 V | 84.240.311 | 364.– | 84.240.411 | 458.– |
| RC telegram slave clock, AirPort24, mains operated 230 VAC, with outage reserve | 85.240.311 | 424.– | 85.240.411 | 518.– |
| NTP system clock (NTP client), synch. by LAN, PoE ¹⁾ | 91.240.311 | 409.– | 91.240.411 | 503.– |

| Options | 300 mm Suffix | Surcharge € each | 400 mm Suffix | Surcharge € each |
|--|---------------|------------------|---------------|--------------------|
| Case enamelled in jet black RAL 9005 | -01 | none | -01 | none |
| Case enamelled in metallic silver grey RAL 9006 | -05 | none | -05 | none |
| Case custom enamelled | -10 | on request | -10 | on request |
| Case stainless steel V2A, matted finish | -20 | 89.– | -20 | 109.– |
| Low reflectivity front glass | -50 | on request | -50 | on request |
| Shock-resistant Plexiglas® XT (instead of mineral glass) | -53 | 59.– | | fitted as standard |
| Packaging against dust and spray (IP 54) | -54 | 69.– | -54 | 69.– |
| Snap-tight mounting fixture | -57 | 49.– | -57 | 49.– |
| External DCF77 receiving aerial (cannot be added later) | -60 | 169.– | -60 | 169.– |

¹⁾NTP system clocks of "PoE" type require a PoE (Power over Ethernet) power supply. Appropriate hardware has to be supplied by customer.

◀ This Snap-tight fixture (option -57) prevents the clock from dropping or being wrenched off. Screw fixture to the wall, attach clock – done! No protection against thrown balls.

| Case colour | Suffix |
|-------------------------------|--------|
| jet black RAL 9005 | -01 |
| metallic silver grey RAL 9006 | -05 |
| custom enamelled | -10 |
| stainless steel V2A | -20 |



Wall Clocks

single face

Sophisticated clocks for demanding environments – a professional means of showing the time.

Case

- cir. 300 mm diameter
- cir. 400 mm diameter

very sturdy metal case, as standard enamelled charcoal-metallic (dark gun metal, DB 703) or, as an option, enamelled in colours (see list below). As an option, a stainless steel case (1.4301 X5CrNi 18-10, German trade name V2A) is available in a matted finish. Protection grade IP 40 (EN 60529).

Snap-tight fixture (option)

As an option, these clocks are available with an additional mounting fixture to prohibit dropping or wrenching off. No protection against thrown balls.

Front glass

Domed mineral glass on 300 mm cases, shock-resistant Plexiglas® XT on 400 mm cases. As an option, low reflectivity front glass is available.

Packaging (option)

As an option, clockwork packaged to protect it against blown dust and/or sprayed water (IP 54 according to EN 60529) is available.

Face

Silver anodised with radial brush finish, black fine-line markings. Face printed according to DIN 41 091.

Hands

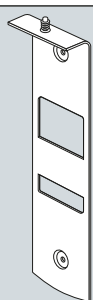
Black bar-type hour and minute hands, black second hand.

No second hand on minute pulse 12...60 V controlled slave clocks.

Power outage reserve

DCF77 radio controlled clocks and AirPort24 slave clocks with a 230 VAC power supply of this type series provide continued operation for approx. 14 days in case of a mains power outage.

Snap-tight fixture (option)



41.240.331 shown

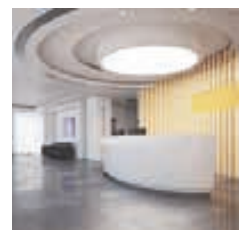
| Clock type | 300 mm Item No. | € each | 400 mm Item No. | € each |
|---|-----------------|--------|-----------------|--------|
| Quartz clock, battery operated 1.5 V | 41.240.331 | 220.– | 41.240.431 | 314.– |
| DCF77 radio controlled clock, battery operated 1.5 V | 51.240.331 | 275.– | 51.240.431 | 379.– |
| DCF77 radio controlled clock, mains operated 230 VAC, with outage reserve | 52.240.331 | 355.– | 52.240.431 | 459.– |
| Slave clock, minute pulse 12...60 V | 71.240.331 | 235.– | 71.240.431 | 319.– |
| Slave clock, minute/second pulse 12/24 V | 72.240.331 | 460.– | 72.240.431 | 544.– |
| Slave clock, minute/second pulse 12/24 V, extra low noise motion | 73.240.331 | 600.– | 73.240.431 | 684.– |
| Telegram slave clock, DCFport24 | 81.240.331 | 260.– | 81.240.431 | 354.– |
| RC telegram slave clock, AirPort24, battery operated 1.5 V | 84.240.331 | 364.– | 84.240.431 | 458.– |
| RC telegram slave clock, AirPort24, mains operated 230 VAC, with outage reserve | 85.240.331 | 424.– | 85.240.431 | 518.– |
| NTP system clock (NTP client), synch. by LAN, PoE ¹⁾ | 91.240.331 | 409.– | 91.240.431 | 503.– |

| Options | 300 mm Suffix | Surcharge € each | 400 mm Suffix | Surcharge € each |
|--|---------------|------------------|---------------|--------------------|
| Case enamelled in jet black RAL 9005 | -01 | none | -01 | none |
| Case enamelled in metallic silver grey RAL 9006 | -05 | none | -05 | none |
| Case custom enamelled | -10 | on request | -10 | on request |
| Case stainless steel V2A, matted finish | -20 | 89.– | -20 | 109.– |
| Low reflectivity front glass | -50 | on request | -50 | on request |
| Shock-resistant Plexiglas® XT (instead of mineral glass) | -53 | 59.– | | fitted as standard |
| Packaging against dust and spray (IP 54) | -54 | 69.– | -54 | 69.– |
| Snap-tight mounting fixture | -57 | 49.– | -57 | 49.– |
| External DCF77 receiving aerial (cannot be added later) | -60 | 169.– | -60 | 169.– |

¹⁾NTP system clocks of "PoE" type require a PoE (Power over Ethernet) power supply. Appropriate hardware has to be supplied by customer.

▶ This Snap-tight fixture (option -57) prevents the clock from dropping or being wrenched off. Screw fixture to the wall, attach clock – done! No protection against thrown balls.

| Case colour | Suffix |
|---------------------------------|--------|
| ■ jet black RAL 9005 | -01 |
| ■ metallic silver grey RAL 9006 | -05 |
| ■ custom enamelled | -10 |
| ■ stainless steel V2A | -20 |



Indoor analog single face

Type series
240



DCF77 radio controlled clocks
DCF77 radio controlled clocks will only function correctly within a radius of approx. 1,500 km around Mainflingen (50 km east of Frankfurt/M.) and under conditions of free radio propagation and may be impaired in heavily reinforced concrete structures. For this case we recommend a removable DCF77 aerial (option).

PEWETA DCFport24
PEWETA DCFport24 slave clocks require a PEWETA master clock (see from page 172 on).

PEWETA AirPort24
PEWETA AirPort24 slave clocks require an AirPort24 transmitter or repeater respectively (see page 177).

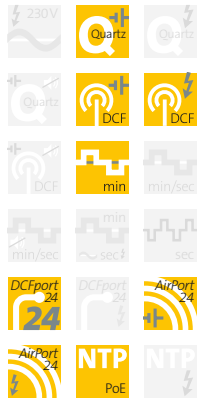
NTP
NTP system clocks require a PEWETA master clock (see from page 172 on) or an NTP time server (see page 179).

Wall Clocks



Indoor analog single face

Type series
246



DCF77 radio controlled clocks
DCF77 radio controlled clocks will only function correctly within a radius of approx. 1,500 km around Mainflingen (50 km east of Frankfurt/M.) and under conditions of free radio propagation and may be impaired in heavily reinforced concrete structures. For this case we recommend a removable DCF77 aerial (option).

PEWETA DCFport24
PEWETA DCFport24 slave clocks require a PEWETA master clock (see from page 172 on).

PEWETA AirPort24
PEWETA AirPort24 slave clocks require an AirPort24 transmitter or repeater respectively (see page 177).

NTP
NTP system clocks require a PEWETA master clock (see from page 172 on) or an NTP time server (see page 179).

Elegant clocks, combining faces with Roman numerals and tapered hands with state-of-the-art clockwork technology.

Case

■ cir. 300 mm diameter very sturdy metal case, as standard enamelled white (RAL 9016) or, as an option, enamelled in colours (see list below).

As an option, a stainless steel case (1.4301 X5CrNi 18-10, German trade name V2A) is available in a matted finish.

Protection grade IP 40 (EN 60 529).

Snap-tight fixture (option)

As an option, these clocks are available with an additional mounting fixture to prohibit dropping or wrenching off.

Front glass

Domed mineral glass as standard, shock-resistant Plexiglas® XT as an option.

Face

Metal, enamelled white with black Roman numerals.

Hands

Tapered black hour and minute hands, no second hand.

Power outage reserve

DCF77 radio controlled clocks and AirPort24 slave clocks with a 230 VAC power supply of this type series provide continued operation for approx. 14 days in case of a mains power outage.

Stainless steel V2A (option)

Due to its components stainless steel V2A is an alloy almost completely impervious to detergents and disinfectants and is therefore excellently suited for the use in the food and pharmaceutical industries, in kitchens, laboratories and other clean rooms. And it looks good into the bargain, as well!



| Clock type | Item No. | € each |
|---|------------|--------|
| Quartz clock, battery operated 1.5 V | 41.246.311 | 210.- |
| DCF77 radio controlled clock, battery operated 1.5 V | 51.246.311 | 265.- |
| DCF77 radio controlled clock, mains operated 230 VAC, with outage reserve | 52.246.311 | 345.- |
| Slave clock, minute pulse 12...60 V | 71.246.311 | 225.- |
| Telegram slave clock, DCFport24 | 81.246.311 | 250.- |
| RC telegram slave clock, AirPort24, battery operated 1.5 V | 84.246.311 | 354.- |
| RC telegram slave clock, AirPort24, mains operated 230 VAC, with outage reserve | 85.246.311 | 414.- |
| NTP system clock (NTP client), synchronisation by LAN, PoE ¹⁾ | 91.246.311 | 399.- |

| Options | Suffix | Surcharge € each |
|--|--------|------------------|
| Case enamelled in jet black RAL 9005 | -01 | none |
| Case enamelled in metallic silver grey RAL 9006 | -05 | none |
| Case enamelled in metallic dark gun metal DB 703 | -06 | none |
| Case custom enamelled | -10 | on request |
| Case stainless steel V2A, matted finish | -20 | 89.- |
| Shock-resistant Plexiglas® XT (instead of mineral glass) | -53 | 59.- |
| Snap-tight mounting fixture | -57 | 49.- |
| External DCF77 receiving aerial (cannot be added later) | -60 | 169.- |

¹⁾ NTP system clocks of "PoE" type require a PoE (Power over Ethernet) power supply. Appropriate hardware has to be supplied by customer.

| Case colour | Suffix |
|-------------------------------|--------|
| jet black RAL 9005 | -01 |
| metallic silver grey RAL 9006 | -05 |
| dark gun metal DB 703 | -06 |
| custom enamelled | -10 |
| stainless steel V2A | -20 |



Wall Clocks

Highly presentable clocks for demanding environments – a professional means of showing the time.

Case

■ cir. 300 mm diameter
very sturdy metal case, as standard enamelled metallic silver grey (RAL 9006) or, as an option, enamelled in colours (see list below).
As an option, a stainless steel case (1.4301 X5CrNi 18-10, German trade name V2A) is available in a matted finish.
Protection grade IP 40 (EN 60529).

Snap-tight fixture (option)

As an option, these clocks are available with an additional mounting fixture to prohibit dropping or wrenching off.

Front glass

Domed mineral glass as standard, shock-resistant Plexiglas® XT as an option.

Packaging (option)

As an option, clockwork packaged to protect it against blown dust and/ or sprayed water (IP 54 according to EN 60529) is available.

Face

Metal, enamelled white with extra large, distinct black Arabic numerals for easy, doubt-free reading even over longer distances.

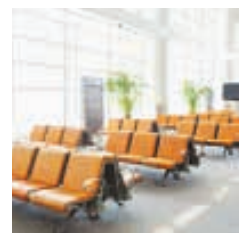
Hands:

Black bar-type hour and minute hands, red second hand.

No second hand on minute pulse 12...60 V controlled slave clocks.



81.249.311 -20 shown



Indoor
analog
single face

Type series
249



| Clock type | Item No. | € each |
|---|------------|--------|
| Quartz clock, battery operated 1.5 V | 41.249.311 | 190.– |
| DCF77 radio controlled clock, battery operated 1.5 V | 51.249.311 | 245.– |
| DCF77 radio controlled clock, mains operated 230 VAC, with outage reserve | 52.249.311 | 325.– |
| Slave clock, minute pulse 12...60 V | 71.249.311 | 205.– |
| Slave clock, minute/second pulse 12/24 V | 72.249.311 | 430.– |
| Slave clock, minute/second pulse 12/24 V, extra low noise motion | 73.249.311 | 570.– |
| Telegram slave clock, DCFport24 | 81.249.311 | 230.– |
| RC telegram slave clock, AirPort24, battery operated 1.5 V | 84.249.311 | 334.– |
| RC telegram slave clock, AirPort24, mains operated 230 VAC, with outage reserve | 85.249.311 | 394.– |
| NTP system clock (NTP client), synchronisation by LAN, PoE ¹⁾ | 91.249.311 | 379.– |

| Options | Suffix | Surcharge € each |
|--|--------|------------------|
| Case enamelled in jet black RAL 9005 | -01 | none |
| Case enamelled in metallic silver grey RAL 9006 | -05 | none |
| Case enamelled in metallic dark gun metal DB 703 | -06 | none |
| Case custom enamelled | -10 | on request |
| Case stainless steel V2A, matted finish | -20 | 89.– |
| Shock-resistant Plexiglas® XT (instead of mineral glass) | -53 | 59.– |
| Packaging against dust and spray (IP 54) | -54 | 69.– |
| Snap-tight mounting fixture | -57 | 49.– |
| External DCF77 receiving aerial (cannot be added later) | -60 | 169.– |

¹⁾ NTP system clocks of "PoE" type require a PoE (Power over Ethernet) power supply. Appropriate hardware has to be supplied by customer.

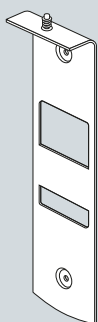
| Case colour | Suffix |
|---------------------------------|--------|
| ■ jet black RAL 9005 | -01 |
| ■ metallic silver grey RAL 9006 | -05 |
| ■ dark gun metal DB 703 | -06 |
| ■ custom enamelled | -10 |
| ■ stainless steel V2A | -20 |

▶ This Snap-tight fixture (option -57) prevents the clock from dropping or being wrenching off. Screw fixture to the wall, attach clock – done! No protection against thrown balls.

Power outage reserve

DCF77 radio controlled clocks and AirPort24 slave clocks with a 230 VAC power supply of this type series provide continued operation for approx. 14 days in case of a mains power outage.

Snap-tight fixture (option)



All prices are subject to change without notice, packing and shipping cost (see page 185) as well as VAT for deliveries within Germany added. Prices shown as of January 1st, 2024. If you have any questions or require additional information, please contact us, we will gladly give advice.



Wall Clocks

single face



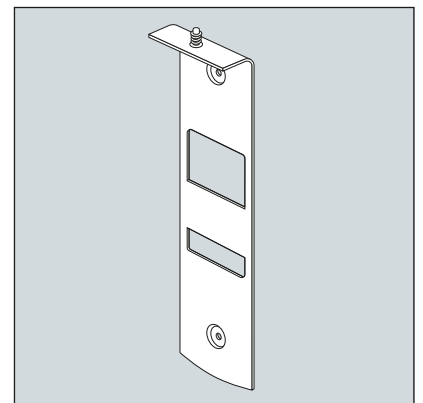
Indoor
analog
single face

Type series
250



81.250.311 shown

Highly presentable clocks for demanding environments – a professional means of showing the time.



This Snap-tight fixture (option -57) prevents the clock from dropping or being wrenched off. Screw fixture to the wall, attach clock – done! No protection against thrown balls.



Case

- cir. 300 mm diameter
 - cir. 400 mm diameter
- very sturdy metal case, as standard enamelled metallic silver grey (RAL 9006) or, as an option, enamelled in colours (see list below).
As an option, a stainless steel case (1.4301 X5CrNi 18-10, German trade name V2A) is available in a matted finish.
Protection grade IP 40 (EN 60 529).

Snap-tight fixture (option)

As an option, these clocks are available with an additional mounting fixture to prohibit dropping or wrenching off. No protection against thrown balls.

Front glass

Domed mineral glass on 300 mm case, shock-resistant Plexiglas® XT on 400 mm case as standard. As an option, low reflectivity front glass is available.

Packaging (option)

As an option, clockwork packaged to protect it against blown dust and/or sprayed water (IP 54 according to EN 60 529) is available.

Face

High distinction white metal with black Arabic numerals for easy, doubt-free reading even over longer distances. Face printed according to DIN 41 091.

Hands

Black bar-type hour and minute hands, red second hand.

No second hand on minute pulse 12...60 V controlled slave clocks.

Power outage reserve

DCF77 radio controlled clocks and AirPort24 slave clocks with a 230 VAC power supply of this type series provide continued operation for approx. 14 days in case of a mains power outage.

Stainless steel V2A (option)

Due to its components stainless steel V2A is an alloy almost completely impervious to detergents and disinfectants and is therefore excellently suited for the use in the food and pharmaceutical industries, in kitchens, laboratories and other clean rooms. And it looks good into the bargain, as well!



Indoor analog single face

Type series

250



DCF77 radio controlled clocks

DCF77 radio controlled clocks will only function correctly within a radius of approx. 1,500 km around Mainflingen (50 km east of Frankfurt/M.) and under conditions of free radio propagation and may be impaired in heavily reinforced concrete structures. For this case we recommend a removable DCF77 aerial (option).

PEWETA DCFport24

PEWETA DCFport24 slave clocks require a PEWETA master clock (see from page 172 on).

PEWETA AirPort24

PEWETA AirPort24 slave clocks require an AirPort24 transmitter or repeater respectively (see page 177).

NTP

NTP system clocks require a PEWETA master clock (see from page 172 on) or an NTP time server (see page 179).

| Clock type | face diameter ▶ | 300 mm | | 400 mm | |
|---|-----------------|------------|--------|------------|--------|
| | | Item No. | € each | Item No. | € each |
| Quartz clock, battery operated 1.5 V | | 41.250.311 | 190.– | 41.250.411 | 284.– |
| DCF77 radio controlled clock, battery operated 1.5 V | | 51.250.311 | 245.– | 51.250.411 | 349.– |
| DCF77 radio controlled clock, mains operated 230 VAC, with outage reserve | | 52.250.311 | 325.– | 52.250.411 | 429.– |
| Slave clock, minute pulse 12...60 V | | 71.250.311 | 205.– | 71.250.411 | 289.– |
| Slave clock, minute/second pulse 12/24 V | | 72.250.311 | 430.– | 72.250.411 | 514.– |
| Slave clock, minute/second pulse 12/24 V, extra low noise motion | | 73.250.311 | 570.– | 73.250.411 | 654.– |
| Slave clock, minute pulse 12/24 V, synchronous second hand 230 VAC/50 Hz | | 74.250.311 | 615.– | 74.250.411 | 699.– |
| Slave clock, second pulse 12/24 V, with creeping minute hand | | 75.250.311 | 590.– | 75.250.411 | 674.– |
| Telegram slave clock, DCFport24 | | 81.250.311 | 230.– | 81.250.411 | 324.– |
| RC telegram slave clock, AirPort24, battery operated 1.5 V | | 84.250.311 | 334.– | 84.250.411 | 428.– |
| RC telegram slave clock, AirPort24, mains operated 230 VAC, with outage reserve | | 85.250.311 | 394.– | 85.250.411 | 488.– |
| NTP system clock (NTP client), synchronisation by LAN, PoE ¹⁾ | | 91.250.311 | 379.– | 91.250.411 | 473.– |

| Options | 300 mm Suffix | Surcharge € each | 400 mm Suffix | Surcharge € each |
|--|---------------|------------------|---------------|--------------------|
| Case enamelled in traffic white RAL 9016 | -00 | none | -00 | none |
| Case enamelled in jet black RAL 9005 | -01 | none | -01 | none |
| Case enamelled in metallic dark gun metal DB 703 | -06 | none | -06 | none |
| Case custom enamelled | -10 | on request | -10 | on request |
| Case stainless steel V2A, matted finish | -20 | 89.– | -20 | 109.– |
| Low reflectivity front glass | -50 | on request | -50 | on request |
| Shock-resistant Plexiglas® XT (instead of mineral glass) | -53 | 59.– | | fitted as standard |
| Packaging against dust and spray (IP 54) | -54 | 69.– | -54 | 69.– |
| Snap-tight mounting fixture | -57 | 49.– | -57 | 49.– |
| External DCF77 receiving aerial (cannot be added later) | -60 | 169.– | -60 | 169.– |

Options – just as you like them ...

These clocks are available optionally with customised features at the surcharges as listed. Just pick your option(s) and add the appropriate suffix(es) to the Item No.

| Case colour | Suffix |
|--------------------------|--------|
| □ traffic white RAL 9016 | -00 |
| ■ jet black RAL 9005 | -01 |
| ■ dark gun metal DB 703 | -06 |
| ■ custom enamelled | -10 |
| ■ stainless steel V2A | -20 |

¹⁾NTP system clocks of "PoE" type require a PoE (Power over Ethernet) power supply. Appropriate hardware has to be supplied by customer.

Wall Clocks

single face



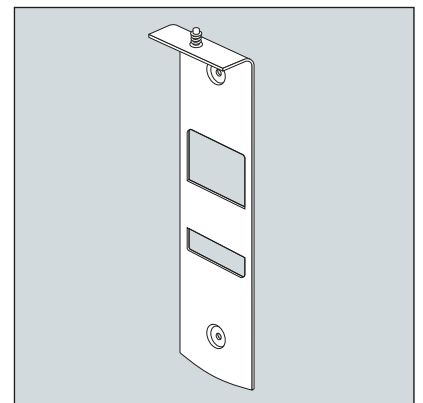
Indoor
analog
single face

Type series
250



71.250.321 shown

Highly presentable clocks for demanding environments – a professional means of showing the time.



This Snap-tight fixture (option -57) prevents the clock from dropping or being wrenched off. Screw fixture to the wall, attach clock – done! No protection against thrown balls.

Case

- cir. 300 mm diameter
 - cir. 400 mm diameter
- very sturdy metal case, as standard enamelled metallic silver grey (RAL 9006) or, as an option, enamelled in colours (see list below).
As an option, a stainless steel case (1.4301 X5CrNi 18-10, German trade name V2A) is available in a matted finish.
Protection grade IP 40 (EN 60 529).

Snap-tight fixture (option)

As an option, these clocks are available with an additional mounting fixture to prohibit dropping or wrenching off. No protection against thrown balls.

Front glass

Domed mineral glass on 300 mm case, shock-resistant Plexiglas® XT on 400 mm case as standard. As an option, low reflectivity front glass is available.

Packaging (option)

As an option, clockwork packaged to protect it against blown dust and/or sprayed water (IP 54 according to EN 60 529) is available.

Face

High distinction white metal with black DIN bar markings for easy, doubt-free reading even over longer distances. Face printed according to DIN 41 091.

Hands

Pointed black bar-type hour and minute hands, red second hand.
No second hand on minute pulse 12...60 V controlled slave clocks.

Power outage reserve

DCF77 radio controlled clocks and AirPort24 slave clocks with a 230 VAC power supply of this type series provide continued operation for approx. 14 days in case of a mains power outage.

Stainless steel V2A (option)

Due to its components stainless steel V2A is an alloy almost completely impervious to detergents and disinfectants and is therefore excellently suited for the use in the food and pharmaceutical industries, in kitchens, laboratories and other clean rooms. And it looks good into the bargain, as well!



Indoor analog single face

Type series

250



DCF77 radio controlled clocks

DCF77 radio controlled clocks will only function correctly within a radius of approx. 1,500 km around Mainflingen (50 km east of Frankfurt/M.) and under conditions of free radio propagation and may be impaired in heavily reinforced concrete structures. For this case we recommend a removable DCF77 aerial (option).

PEWETA DCFport24

PEWETA DCFport24 slave clocks require a PEWETA master clock (see from page 172 on).

PEWETA AirPort24

PEWETA AirPort24 slave clocks require an AirPort24 transmitter or repeater respectively (see page 177).

NTP

NTP system clocks require a PEWETA master clock (see from page 172 on) or an NTP time server (see page 179).

| Clock type | face diameter ▶ | 300 mm | | 400 mm | |
|---|-----------------|------------|--------|------------|--------|
| | | Item No. | € each | Item No. | € each |
| Quartz clock, battery operated 1.5 V | | 41.250.321 | 190.– | 41.250.421 | 284.– |
| DCF77 radio controlled clock, battery operated 1.5 V | | 51.250.321 | 245.– | 51.250.421 | 349.– |
| DCF77 radio controlled clock, mains operated 230 VAC, with outage reserve | | 52.250.321 | 325.– | 52.250.421 | 429.– |
| Slave clock, minute pulse 12...60 V | | 71.250.321 | 205.– | 71.250.421 | 289.– |
| Slave clock, minute/second pulse 12/24 V | | 72.250.321 | 430.– | 72.250.421 | 514.– |
| Slave clock, minute/second pulse 12/24 V, extra low noise motion | | 73.250.321 | 570.– | 73.250.421 | 654.– |
| Slave clock, minute pulse 12/24 V, synchronous second hand 230 VAC/50 Hz | | 74.250.321 | 615.– | 74.250.421 | 699.– |
| Slave clock, second pulse 12/24 V, with creeping minute hand | | 75.250.321 | 590.– | 75.250.421 | 674.– |
| Telegram slave clock, DCFport24 | | 81.250.321 | 230.– | 81.250.421 | 324.– |
| RC telegram slave clock, AirPort24, battery operated 1.5 V | | 84.250.321 | 334.– | 84.250.421 | 428.– |
| RC telegram slave clock, AirPort24, mains operated 230 VAC, with outage reserve | | 85.250.321 | 394.– | 85.250.421 | 488.– |
| NTP system clock (NTP client), synchronisation by LAN, PoE ¹⁾ | | 91.250.321 | 379.– | 91.250.421 | 473.– |

| Options | 300 mm Suffix | Surcharge € each | 400 mm Suffix | Surcharge € each |
|--|---------------|------------------|---------------|--------------------|
| Case enamelled in traffic white RAL 9016 | -00 | none | -00 | none |
| Case enamelled in jet black RAL 9005 | -01 | none | -01 | none |
| Case enamelled in metallic dark gun metal DB 703 | -06 | none | -06 | none |
| Case custom enamelled | -10 | on request | -10 | on request |
| Case stainless steel V2A, matted finish | -20 | 89.– | -20 | 109.– |
| Low reflectivity front glass | -50 | on request | -50 | on request |
| Shock-resistant Plexiglas® XT (instead of mineral glass) | -53 | 59.– | | fitted as standard |
| Packaging against dust and spray (IP 54) | -54 | 69.– | -54 | 69.– |
| Snap-tight mounting fixture | -57 | 49.– | -57 | 49.– |
| External DCF77 receiving aerial (cannot be added later) | -60 | 169.– | -60 | 169.– |

Options – just as you like them ...

These clocks are available optionally with customised features at the surcharges as listed. Just pick your option(s) and add the appropriate suffix(es) to the Item No.

| Case colour | Suffix |
|--------------------------|--------|
| □ traffic white RAL 9016 | -00 |
| ■ jet black RAL 9005 | -01 |
| ■ dark gun metal DB 703 | -06 |
| ■ custom enamelled | -10 |
| ■ stainless steel V2A | -20 |

¹⁾NTP system clocks of "PoE" type require a PoE (Power over Ethernet) power supply. Appropriate hardware has to be supplied by customer.



Wall Clocks

single face



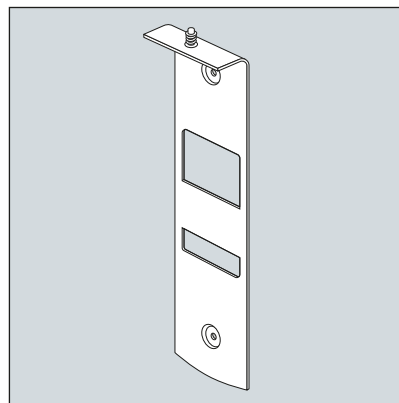
Indoor
analog
single face

Type series
250



51.250.331 shown

Highly presentable clocks for demanding environments – a professional means of showing the time.



This Snap-tight fixture (option -57) prevents the clock from dropping or being wrenched off. Screw fixture to the wall, attach clock – done! No protection against thrown balls.



Optionally available with case enamelled in colours



Case

- cir. 300 mm diameter
 - cir. 400 mm diameter
- very sturdy metal case, as standard enamelled metallic silver grey (RAL 9006) or, as an option, enamelled in colours (see list below).
As an option, a stainless steel case (1.4301 X5CrNi 18-10, German trade name V2A) is available in a matted finish.
Protection grade IP 40 (EN 60 529).

Snap-tight fixture (option)

As an option, these clocks are available with an additional mounting fixture to prohibit dropping or wrenching off. No protection against thrown balls.

Front glass

Domed mineral glass on 300 mm case, shock-resistant Plexiglas® XT on 400 mm case as standard. As an option, low reflectivity front glass is available.

Packaging (option)

As an option, clockwork packaged to protect it against blown dust and/or sprayed water (IP 54 according to EN 60 529) is available.

Face

High distinction white metal with black fine-line markings for easy, doubt-free reading even over longer distances. Face printed according to DIN 41 091.

Hands

Black bar-type hour and minute hands, red second hand.

No second hand on minute pulse 12...60 V controlled slave clocks.

Power outage reserve

DCF77 radio controlled clocks and AirPort24 slave clocks with a 230 VAC power supply of this type series provide continued operation for approx. 14 days in case of a mains power outage.

Stainless steel V2A (option)

Due to its components stainless steel V2A is an alloy almost completely impervious to detergents and disinfectants and is therefore excellently suited for the use in the food and pharmaceutical industries, in kitchens, laboratories and other clean rooms. And it looks good into the bargain, as well!



Indoor analog single face

Type series

250



DCF77 radio controlled clocks

DCF77 radio controlled clocks will only function correctly within a radius of approx. 1,500 km around Mainflingen (50 km east of Frankfurt/M.) and under conditions of free radio propagation and may be impaired in heavily reinforced concrete structures. For this case we recommend a removable DCF77 aerial (option).

PEWETA DCFport24

PEWETA DCFport24 slave clocks require a PEWETA master clock (see from page 172 on).

PEWETA AirPort24

PEWETA AirPort24 slave clocks require an AirPort24 transmitter or repeater respectively (see page 177).

NTP

NTP system clocks require a PEWETA master clock (see from page 172 on) or an NTP time server (see page 179).

| Clock type | face diameter ▶ | 300 mm | | 400 mm | |
|---|-----------------|------------|--------|------------|--------|
| | | Item No. | € each | Item No. | € each |
| Quartz clock, battery operated 1.5 V | | 41.250.331 | 190.– | 41.250.431 | 284.– |
| DCF77 radio controlled clock, battery operated 1.5 V | | 51.250.331 | 245.– | 51.250.431 | 349.– |
| DCF77 radio controlled clock, mains operated 230 VAC, with outage reserve | | 52.250.331 | 325.– | 52.250.431 | 429.– |
| Slave clock, minute pulse 12...60 V | | 71.250.331 | 205.– | 71.250.431 | 289.– |
| Slave clock, minute/second pulse 12/24 V | | 72.250.331 | 430.– | 72.250.431 | 514.– |
| Slave clock, minute/second pulse 12/24 V, extra low noise motion | | 73.250.331 | 570.– | 73.250.431 | 654.– |
| Slave clock, minute pulse 12/24 V, synchronous second hand 230 VAC/50 Hz | | 74.250.331 | 615.– | 74.250.431 | 699.– |
| Slave clock, second pulse 12/24 V, with creeping minute hand | | 75.250.331 | 590.– | 75.250.431 | 674.– |
| Telegram slave clock, DCFport24 | | 81.250.331 | 230.– | 81.250.431 | 324.– |
| RC telegram slave clock, AirPort24, battery operated 1.5 V | | 84.250.331 | 334.– | 84.250.431 | 428.– |
| RC telegram slave clock, AirPort24, mains operated 230 VAC, with outage reserve | | 85.250.331 | 394.– | 85.250.431 | 488.– |
| NTP system clock (NTP client), synchronisation by LAN, PoE ¹⁾ | | 91.250.331 | 379.– | 91.250.431 | 473.– |

| Options | 300 mm Suffix | Surcharge € each | 400 mm Suffix | Surcharge € each |
|--|---------------|------------------|---------------|--------------------|
| Case enamelled in traffic white RAL 9016 | -00 | none | -00 | none |
| Case enamelled in jet black RAL 9005 | -01 | none | -01 | none |
| Case enamelled in metallic dark gun metal DB 703 | -06 | none | -06 | none |
| Case custom enamelled | -10 | on request | -10 | on request |
| Case stainless steel V2A, matted finish | -20 | 89.– | -20 | 109.– |
| Low reflectivity front glass | -50 | on request | -50 | on request |
| Shock-resistant Plexiglas® XT (instead of mineral glass) | -53 | 59.– | | fitted as standard |
| Packaging against dust and spray (IP 54) | -54 | 69.– | -54 | 69.– |
| Snap-tight mounting fixture | -57 | 49.– | -57 | 49.– |
| External DCF77 receiving aerial (cannot be added later) | -60 | 169.– | -60 | 169.– |

Options – just as you like them ...

These clocks are available optionally with customised features at the surcharges as listed. Just pick your option(s) and add the appropriate suffix(es) to the Item No.

| Case colour | Suffix |
|---|--------|
| <input type="checkbox"/> traffic white RAL 9016 | -00 |
| <input type="checkbox"/> jet black RAL 9005 | -01 |
| <input type="checkbox"/> dark gun metal DB 703 | -06 |
| <input type="checkbox"/> custom enamelled | -10 |
| <input type="checkbox"/> stainless steel V2A | -20 |

¹⁾NTP system clocks of "PoE" type require a PoE (Power over Ethernet) power supply. Appropriate hardware has to be supplied by customer.

Indoor Clocks

single face



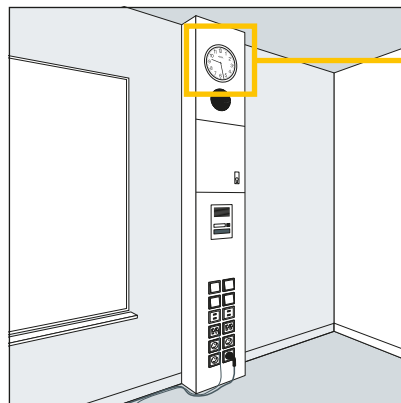
Indoor
analog
single face

Type series
270

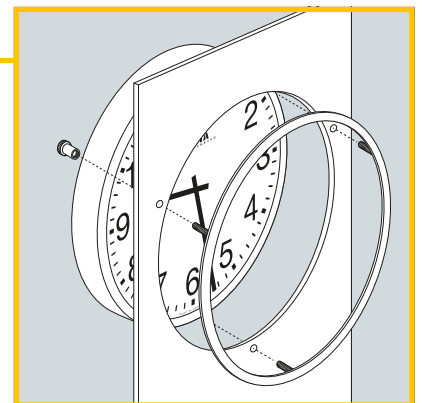


81.270.311 shown

Wall clocks with shock-resistant plastic cases. State-of-the-art, up-to-date, functional – totally reliable!



Media pillar fitted with a type series 270 wall clock



Installation inside a media pillar by means of a front ring (extra)



Case

- cir. 265 mm diameter
 - cir. 315 mm diameter
 - cir. 415 mm diameter
- shock-resistant Plexiglas® XT case with a matted rim.
Protection grade IP 40 (EN 60 529).

Front glass

Shock-resistant Plexiglas® XT for outstandingly clear visibility.

Face

High distinction white metal with black Arabic numerals for easy, doubt-free reading even over longer distances. Face printed according to DIN 41 091.

Hands

Black bar-type hour and minute hands, red second hand.

No second hand on minute pulse 12...60 V controlled slave clocks.



Indoor
analog
single face

Power outage reserve

DCF77 radio controlled clocks and AirPort24 slave clocks with a 230 VAC power supply of this type series provide continued operation for approx. 14 days in case of a mains power outage.

| Clock type | face diameter ▶ | 250 mm | | 300 mm | | 400 mm | |
|---|-----------------|------------|--------|------------|--------|------------|--------|
| | | Item No. | € each | Item No. | € each | Item No. | € each |
| Quartz clock, battery operated 1.5 V | | 41.270.211 | 129.– | 41.270.311 | 134.– | 41.270.411 | 179.– |
| DCF77 radio controlled clock, battery operated 1.5 V | | 51.270.211 | 184.– | 51.270.311 | 189.– | 51.270.411 | 244.– |
| DCF77 radio controlled clock, mains operated 230 VAC, with outage reserve | | 52.270.211 | 264.– | 52.270.311 | 269.– | 52.270.411 | 324.– |
| Slave clock, minute pulse 12...60 V | | 71.270.211 | 144.– | 71.270.311 | 149.– | 71.270.411 | 184.– |
| Slave clock, minute/second pulse 12/24 V | | 72.270.211 | 369.– | 72.270.311 | 374.– | 72.270.411 | 409.– |
| Slave clock, minute/second pulse 12/24 V, extra low noise motion | | 73.270.211 | 509.– | 73.270.311 | 514.– | 73.270.411 | 549.– |
| Slave clock, minute pulse 12/24 V, synchronous second hand 230 VAC/50 Hz | | 74.270.211 | 554.– | 74.270.311 | 559.– | 74.270.411 | 594.– |
| Slave clock, second pulse 12/24 V, with creeping minute hand | | 75.270.211 | 529.– | 75.270.311 | 534.– | 75.270.411 | 569.– |
| Telegram slave clock, DCFport24 | | 81.270.211 | 169.– | 81.270.311 | 174.– | 81.270.411 | 219.– |
| RC telegram slave clock, AirPort24, battery operated 1.5 V | | 84.270.211 | 273.– | 84.270.311 | 278.– | 84.270.411 | 323.– |
| RC telegram slave clock, AirPort24, mains operated 230 VAC, with outage reserve | | 85.270.211 | 333.– | 85.270.311 | 338.– | 85.270.411 | 383.– |
| NTP system clock (NTP client), synchronisation by LAN, PoE ¹⁾ | | 91.270.211 | 318.– | 91.270.311 | 323.– | 91.270.411 | 368.– |

| Option | 250 mm Suffix | Surcharge € each | 300 mm Suffix | Surcharge € each | 400 mm Suffix | Surcharge € each |
|---|---------------|------------------|---------------|------------------|---------------|------------------|
| External DCF77 receiving aerial (cannot be added later) | -60 | 169.– | -60 | 169.– | -60 | 169.– |

| Extras | 250 mm Item No. | € each |
|---|-----------------|--------|
| Front ring, 288 mm diameter, for fitting clocks of this type series with a case diameter of 265 mm to media pillars made of 1.5 mm steel panels ²⁾ | 01.270.200 | 49.– |
| Front ring, 288 mm diameter, for fitting clocks of this type series with a case diameter of 265 mm to media pillars made of 19 mm wood panels ²⁾ | 01.270.220 | 49.– |

Options – just as you like them ...

These clocks are available optionally with customised features at the surcharges as listed. Just pick your option(s) and add the appropriate suffix(es) to the Item No.

¹⁾NTP system clocks of "PoE" type require a PoE (Power over Ethernet) power supply. Appropriate hardware has to be supplied by customer.

²⁾For fitting the front ring, an appropriate cut-out as well as 3 mounting holes must be provided. Please ask for the scale drawing if required.

Type series

270



DCF77 radio controlled clocks

DCF77 radio controlled clocks will only function correctly within a radius of approx. 1,500 km around Mainflingen (50 km east of Frankfurt/M.) and under conditions of free radio propagation and may be impaired in heavily reinforced concrete structures. For this case we recommend a removable DCF77 aerial (option).

PEWETA DCFport24

PEWETA DCFport24 slave clocks require a PEWETA master clock (see from page 172 on).

PEWETA AirPort24

PEWETA AirPort24 slave clocks require an AirPort24 transmitter or repeater respectively (see page 177).

NTP

NTP system clocks require a PEWETA master clock (see from page 172 on) or an NTP time server (see page 179).

Indoor Clocks

single face



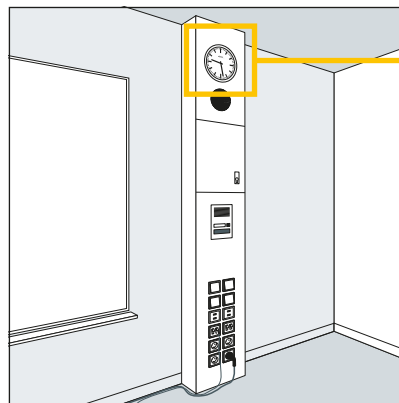
Indoor
analog
single face

Type series
270

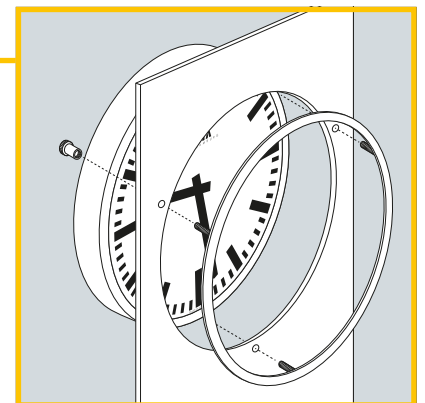


71.270.321 shown

Wall clocks with shock-resistant plastic cases. State-of-the-art, up-to-date, functional – totally reliable!



Media pillar fitted with a type series 270 wall clock



Installation inside a media pillar by means of a front ring (extra)



Case

- cir. 265 mm diameter
 - cir. 315 mm diameter
 - cir. 415 mm diameter
- shock-resistant Plexiglas® XT case with a matted rim.
Protection grade IP 40 (EN 60529).

Front glass

Shock-resistant Plexiglas® XT for outstandingly clear visibility.

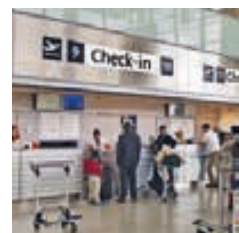
Face

High distinction white metal with black bar markings for easy, doubt-free reading even over longer distances. Face printed according to DIN 41 091.

Hands

Pointed black bar-type hour and minute hands, red second hand.

No second hand on minute pulse 12...60 V controlled slave clocks.



Indoor
analog
single face

Power outage reserve

DCF77 radio controlled clocks and AirPort24 slave clocks with a 230 VAC power supply of this type series provide continued operation for approx. 14 days in case of a mains power outage.

Type series

270



| Clock type | face diameter ▶ | 250 mm | | 300 mm | | 400 mm | |
|---|-----------------|------------|--------|------------|--------|------------|--------|
| | | Item No. | € each | Item No. | € each | Item No. | € each |
| Quartz clock, battery operated 1.5 V | | 41.270.221 | 129.– | 41.270.321 | 134.– | 41.270.421 | 179.– |
| DCF77 radio controlled clock, battery operated 1.5 V | | 51.270.221 | 184.– | 51.270.321 | 189.– | 51.270.421 | 244.– |
| DCF77 radio controlled clock, mains operated 230 VAC, with outage reserve | | 52.270.221 | 264.– | 52.270.321 | 269.– | 52.270.421 | 324.– |
| Slave clock, minute pulse 12...60 V | | 71.270.221 | 144.– | 71.270.321 | 149.– | 71.270.421 | 184.– |
| Slave clock, minute/second pulse 12/24 V | | 72.270.221 | 369.– | 72.270.321 | 374.– | 72.270.421 | 409.– |
| Slave clock, minute/second pulse 12/24 V, extra low noise motion | | 73.270.221 | 509.– | 73.270.321 | 514.– | 73.270.421 | 549.– |
| Slave clock, minute pulse 12/24 V, synchronous second hand 230 VAC/50 Hz | | 74.270.221 | 554.– | 74.270.321 | 559.– | 74.270.421 | 594.– |
| Slave clock, second pulse 12/24 V, with creeping minute hand | | 75.270.221 | 529.– | 75.270.321 | 534.– | 75.270.421 | 569.– |
| Telegram slave clock, DCFport24 | | 81.270.221 | 169.– | 81.270.321 | 174.– | 81.270.421 | 219.– |
| RC telegram slave clock, AirPort24, battery operated 1.5 V | | 84.270.221 | 273.– | 84.270.321 | 278.– | 84.270.421 | 323.– |
| RC telegram slave clock, AirPort24, mains operated 230 VAC, with outage reserve | | 85.270.221 | 333.– | 85.270.321 | 338.– | 85.270.421 | 383.– |
| NTP system clock (NTP client), synchronisation by LAN, PoE ¹⁾ | | 91.270.221 | 318.– | 91.270.321 | 323.– | 91.270.421 | 368.– |

| Option | 250 mm Suffix | Surcharge € each | 300 mm Suffix | Surcharge € each | 400 mm Suffix | Surcharge € each |
|---|---------------|------------------|---------------|------------------|---------------|------------------|
| External DCF77 receiving aerial (cannot be added later) | -60 | 169.– | -60 | 169.– | -60 | 169.– |

| Extras | 250 mm Item No. | € each |
|---|-----------------|--------|
| Front ring, 288 mm diameter, for fitting clocks of this type series with a case diameter of 265 mm to media pillars made of 1.5 mm steel panels ²⁾ | 01.270.200 | 49.– |
| Front ring, 288 mm diameter, for fitting clocks of this type series with a case diameter of 265 mm to media pillars made of 19 mm wood panels ²⁾ | 01.270.220 | 49.– |

Options – just as you like them ...

These clocks are available optionally with customised features at the surcharges as listed. Just pick your option(s) and add the appropriate suffix(es) to the Item No.

DCF77 radio controlled clocks

DCF77 radio controlled clocks will only function correctly within a radius of approx. 1,500 km around Mainflingen (50 km east of Frankfurt/M.) and under conditions of free radio propagation and may be impaired in heavily reinforced concrete structures. For this case we recommend a removable DCF77 aerial (option).

PEWETA DCFport24

PEWETA DCFport24 slave clocks require a PEWETA master clock (see from page 172 on).

PEWETA AirPort24

PEWETA AirPort24 slave clocks require an AirPort24 transmitter or repeater respectively (see page 177).

NTP

NTP system clocks require a PEWETA master clock (see from page 172 on) or an NTP time server (see page 179).

¹⁾ NTP system clocks of "PoE" type require a PoE (Power over Ethernet) power supply. Appropriate hardware has to be supplied by customer.

²⁾ For fitting the front ring, an appropriate cut-out as well as 3 mounting holes must be provided. Please ask for the scale drawing if required.

Indoor Clocks

single face



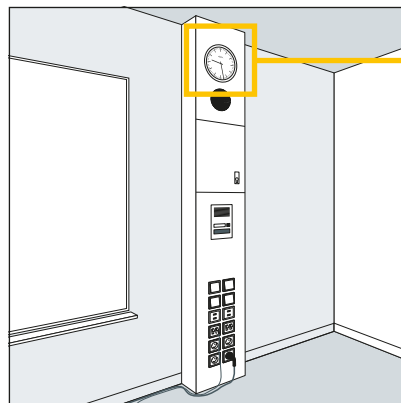
Indoor
analog
single face

Type series
270

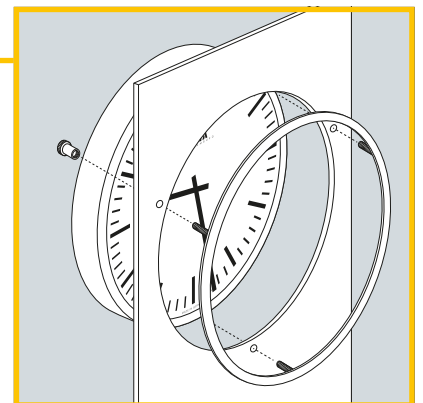


51.270.331 shown

Wall clocks with shock-resistant plastic cases. State-of-the-art, up-to-date, functional – totally reliable!



Media pillar fitted with a type series 270 wall clock



Installation inside a media pillar by means of a front ring (extra)



Case

- cir. 265 mm diameter
 - cir. 315 mm diameter
 - cir. 415 mm diameter
- shock-resistant Plexiglas® XT case with a matted rim.
Protection grade IP 40 (EN 60 529).

Front glass

Shock-resistant Plexiglas® XT for outstandingly clear visibility.

Face

High distinction white metal with black fine-line markings for easy, doubt-free reading even over longer distances. Face printed according to DIN 41 091.

Hands

Black bar-type hour and minute hands, red second hand.

No second hand on minute pulse 12...60 V controlled slave clocks.



Indoor
analog
single face

Power outage reserve

DCF77 radio controlled clocks and AirPort24 slave clocks with a 230 VAC power supply of this type series provide continued operation for approx. 14 days in case of a mains power outage.

| Clock type | face diameter ▶ | 250 mm | | 300 mm | | 400 mm | |
|---|-----------------|------------|--------|------------|--------|------------|--------|
| | | Item No. | € each | Item No. | € each | Item No. | € each |
| Quartz clock, battery operated 1.5 V | | 41.270.231 | 129.– | 41.270.331 | 134.– | 41.270.431 | 179.– |
| DCF77 radio controlled clock, battery operated 1.5 V | | 51.270.231 | 184.– | 51.270.331 | 189.– | 51.270.431 | 244.– |
| DCF77 radio controlled clock, mains operated 230 VAC, with outage reserve | | 52.270.231 | 264.– | 52.270.331 | 269.– | 52.270.431 | 324.– |
| Slave clock, minute pulse 12...60 V | | 71.270.231 | 144.– | 71.270.331 | 149.– | 71.270.431 | 184.– |
| Slave clock, minute/second pulse 12/24 V | | 72.270.231 | 369.– | 72.270.331 | 374.– | 72.270.431 | 409.– |
| Slave clock, minute/second pulse 12/24 V, extra low noise motion | | 73.270.231 | 509.– | 73.270.331 | 514.– | 73.270.431 | 549.– |
| Slave clock, minute pulse 12/24 V, synchronous second hand 230 VAC/50 Hz | | 74.270.231 | 554.– | 74.270.331 | 559.– | 74.270.431 | 594.– |
| Slave clock, second pulse 12/24 V, with creeping minute hand | | 75.270.231 | 529.– | 75.270.331 | 534.– | 75.270.431 | 569.– |
| Telegram slave clock, DCFport24 | | 81.270.231 | 169.– | 81.270.331 | 174.– | 81.270.431 | 219.– |
| RC telegram slave clock, AirPort24, battery operated 1.5 V | | 84.270.231 | 273.– | 84.270.331 | 278.– | 84.270.431 | 323.– |
| RC telegram slave clock, AirPort24, mains operated 230 VAC, with outage reserve | | 85.270.231 | 333.– | 85.270.331 | 338.– | 85.270.431 | 383.– |
| NTP system clock (NTP client), synchronisation by LAN, PoE ¹⁾ | | 91.270.231 | 318.– | 91.270.331 | 323.– | 91.270.431 | 368.– |

| Option | 250 mm Suffix | Surcharge € each | 300 mm Suffix | Surcharge € each | 400 mm Suffix | Surcharge € each |
|---|---------------|------------------|---------------|------------------|---------------|------------------|
| External DCF77 receiving aerial (cannot be added later) | -60 | 169.– | -60 | 169.– | -60 | 169.– |

| Extras | 250 mm Item No. | € each |
|---|-----------------|--------|
| Front ring, 288 mm diameter, for fitting clocks of this type series with a case diameter of 265 mm to media pillars made of 1.5 mm steel panels ²⁾ | 01.270.200 | 49.– |
| Front ring, 288 mm diameter, for fitting clocks of this type series with a case diameter of 265 mm to media pillars made of 19 mm wood panels ²⁾ | 01.270.220 | 49.– |

Options – just as you like them ...

These clocks are available optionally with customised features at the surcharges as listed. Just pick your option(s) and add the appropriate suffix(es) to the Item No.

¹⁾NTP system clocks of "PoE" type require a PoE (Power over Ethernet) power supply. Appropriate hardware has to be supplied by customer.

²⁾For fitting the front ring, an appropriate cut-out as well as 3 mounting holes must be provided. Please ask for the scale drawing if required.

Type series

270



DCF77 radio controlled clocks

DCF77 radio controlled clocks will only function correctly within a radius of approx. 1,500 km around Mainflingen (50 km east of Frankfurt/M.) and under conditions of free radio propagation and may be impaired in heavily reinforced concrete structures. For this case we recommend a removable DCF77 aerial (option).

PEWETA DCFport24

PEWETA DCFport24 slave clocks require a PEWETA master clock (see from page 172 on).

PEWETA AirPort24

PEWETA AirPort24 slave clocks require an AirPort24 transmitter or repeater respectively (see page 177).

NTP

NTP system clocks require a PEWETA master clock (see from page 172 on) or an NTP time server (see page 179).

Indoor Clocks

single face



Indoor
analog
single face

Type series
271



51.271.311 shown

Wall clocks with sturdy **metal cases**. State-of-the-art, up-to-date, functional – totally reliable!



71.271.311

Slave clock, minute pulse 12...60 V



Case

- cir. 265 mm diameter
- cir. 300 mm diameter
- cir. 400 mm diameter

very sturdy metal case, enamelled white (RAL 9016). Optionally, at a surcharge, enamelled in metallic silver grey (RAL 9006), in dark gun metal (DB 703) or custom enamelled, as listed below.
Protection grade IP 40 (EN 60529).

Front glass

Flat shock-resistant Plexiglas® XT on 265 mm diameter cases, domed mineral glass on 300 mm diameter cases and shock-resistant Plexiglas® XT on 400 mm cases.

Face

High distinction white metal with black Arabic numerals for easy, doubt-free reading even over longer distances. Face printed according to DIN 41 091.

Hands

Black bar-type hour and minute hands, red second hand.

No second hand on minute pulse 12...60 V controlled slave clocks.

Power outage reserve

DCF77 radio controlled clocks and AirPort24 slave clocks with a 230 VAC power supply of this type series provide continued operation for approx. 14 days in case of a mains power outage.

| Clock type | face diameter ▶ | 250 mm | | 300 mm | | 400 mm | |
|---|-----------------|------------|--------|------------|--------|------------|--------|
| | | Item No. | € each | Item No. | € each | Item No. | € each |
| Quartz clock, battery operated 1.5 V | | 41.271.211 | 178.– | 41.271.311 | 180.– | 41.271.411 | 274.– |
| DCF77 radio controlled clock, battery operated 1.5 V | | 51.271.211 | 233.– | 51.271.311 | 235.– | 51.271.411 | 339.– |
| DCF77 radio controlled clock, mains operated 230 VAC, with outage reserve | | 52.271.211 | 313.– | 52.271.311 | 315.– | 52.271.411 | 419.– |
| Slave clock, minute pulse 12...60 V | | 71.271.211 | 193.– | 71.271.311 | 195.– | 71.271.411 | 279.– |
| Slave clock, minute/second pulse 12/24 V | | 72.271.211 | 418.– | 72.271.311 | 420.– | 72.271.411 | 504.– |
| Slave clock, minute/second pulse 12/24 V, extra low noise motion | | 73.271.211 | 558.– | 73.271.311 | 560.– | 73.271.411 | 644.– |
| Slave clock, minute pulse 12/24 V, synchronous second hand 230 VAC/50 Hz | | 74.271.211 | 603.– | 74.271.311 | 605.– | 74.271.411 | 689.– |
| Slave clock, second pulse 12/24 V, with creeping minute hand | | 75.271.211 | 578.– | 75.271.311 | 580.– | 75.271.411 | 664.– |
| Telegram slave clock, DCFport24 | | 81.271.211 | 218.– | 81.271.311 | 220.– | 81.271.411 | 314.– |
| RC telegram slave clock, AirPort24, battery operated 1.5 V | | 84.271.211 | 322.– | 84.271.311 | 324.– | 84.271.411 | 418.– |
| RC telegram slave clock, AirPort24, mains operated 230 VAC, with outage reserve | | 85.271.211 | 382.– | 85.271.311 | 384.– | 85.271.411 | 478.– |
| NTP system clock (NTP client), synchronisation by LAN, PoE ¹⁾ | | 91.271.211 | 367.– | 91.271.311 | 369.– | 91.271.411 | 463.– |

| Options | 250 mm Suffix | Surcharge € each | 300 mm Suffix | Surcharge € each | 400 mm Suffix | Surcharge € each |
|--|---------------|--------------------|---------------|------------------|---------------|--------------------|
| Case enamelled in metallic silver grey RAL 9006 | -05 | 10.– | -05 | 10.– | -05 | 10.– |
| Case enamelled in metallic dark gun metal DB 703 | -06 | 10.– | -06 | 10.– | -06 | 10.– |
| Case custom enamelled | -10 | on request | -10 | on request | -10 | on request |
| Shock-resistant Plexiglas® XT (instead of mineral glass) | | fitted as standard | -53 | 59.– | | fitted as standard |
| External DCF77 receiving aerial (cannot be added later) | -60 | 169.– | -60 | 169.– | -60 | 169.– |

Options – just as you like them ...

These clocks are available optionally with customised features at the surcharges as listed. Just pick your option(s) and add the appropriate suffix(es) to the Item No.

| Case colour | Suffix |
|-------------------------------|--------|
| metallic silver grey RAL 9006 | -05 |
| dark gun metal DB 703 | -06 |
| custom enamelled | -10 |



Indoor
analog
single face

Type series

271



DCF77 radio controlled clocks

DCF77 radio controlled clocks will only function correctly within a radius of approx. 1,500 km around Mainflingen (50 km east of Frankfurt/M.) and under conditions of free radio propagation and may be impaired in heavily reinforced concrete structures. For this case we recommend a removable DCF77 aerial (option).

PEWETA DCFport24

PEWETA DCFport24 slave clocks require a PEWETA master clock (see from page 172 on).

PEWETA AirPort24

PEWETA AirPort24 slave clocks require an AirPort24 transmitter or repeater respectively (see page 177).

NTP

NTP system clocks require a PEWETA master clock (see from page 172 on) or an NTP time server (see page 179).

¹⁾NTP system clocks of "PoE" type require a PoE (Power over Ethernet) power supply. Appropriate hardware has to be supplied by customer.

Indoor Clocks

single face



Indoor
analog
single face

Type series

271



71.271.321 shown

Wall clocks with sturdy **metal cases**. State-of-the-art, up-to-date, functional – totally reliable!



71.271.321 -05

Optionally available with case enamelled in metallic silver grey RAL 9006



Case

- cir. 265 mm diameter
 - cir. 300 mm diameter
 - cir. 400 mm diameter
- very sturdy metal case, enamelled white (RAL 9016). Optionally, at a surcharge, enamelled in metallic silver grey (RAL 9006), in dark gun metal (DB 703) or custom enamelled, as listed below.
Protection grade IP 40 (EN 60529).

Front glass

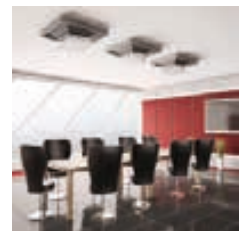
Flat shock-resistant Plexiglas® XT on 265 mm diameter cases, domed mineral glass on 300 mm diameter cases and shock-resistant Plexiglas® XT on 400 mm cases.

Face

High distinction white metal with black DIN bar markings for easy, doubt-free reading even over longer distances. Face printed according to DIN 41 091.

Hands

Pointed black bar-type hour and minute hands, red second hand.
No second hand on minute pulse 12...60 V controlled slave clocks.



Indoor
analog
single face

Power outage reserve

DCF77 radio controlled clocks and AirPort24 slave clocks with a 230 VAC power supply of this type series provide continued operation for approx. 14 days in case of a mains power outage.

| Clock type | face diameter ▶ | 250 mm | | 300 mm | | 400 mm | |
|---|-----------------|------------|--------|------------|--------|------------|--------|
| | | Item No. | € each | Item No. | € each | Item No. | € each |
| Quartz clock, battery operated 1.5 V | | 41.271.221 | 178.– | 41.271.321 | 180.– | 41.271.421 | 274.– |
| DCF77 radio controlled clock, battery operated 1.5 V | | 51.271.221 | 233.– | 51.271.321 | 235.– | 51.271.421 | 339.– |
| DCF77 radio controlled clock, mains operated 230 VAC, with outage reserve | | 52.271.221 | 313.– | 52.271.321 | 315.– | 52.271.421 | 419.– |
| Slave clock, minute pulse 12...60 V | | 71.271.221 | 193.– | 71.271.321 | 195.– | 71.271.421 | 279.– |
| Slave clock, minute/second pulse 12/24 V | | 72.271.221 | 418.– | 72.271.321 | 420.– | 72.271.421 | 504.– |
| Slave clock, minute/second pulse 12/24 V, extra low noise motion | | 73.271.221 | 558.– | 73.271.321 | 560.– | 73.271.421 | 644.– |
| Slave clock, minute pulse 12/24 V, synchronous second hand 230 VAC/50 Hz | | 74.271.221 | 603.– | 74.271.321 | 605.– | 74.271.421 | 689.– |
| Slave clock, second pulse 12/24 V, with creeping minute hand | | 75.271.221 | 578.– | 75.271.321 | 580.– | 75.271.421 | 664.– |
| Telegram slave clock, DCFport24 | | 81.271.221 | 218.– | 81.271.321 | 220.– | 81.271.421 | 314.– |
| RC telegram slave clock, AirPort24, battery operated 1.5 V | | 84.271.221 | 322.– | 84.271.321 | 324.– | 84.271.421 | 418.– |
| RC telegram slave clock, AirPort24, mains operated 230 VAC, with outage reserve | | 85.271.221 | 382.– | 85.271.321 | 384.– | 85.271.421 | 478.– |
| NTP system clock (NTP client), synchronisation by LAN, PoE ¹⁾ | | 91.271.221 | 367.– | 91.271.321 | 369.– | 91.271.421 | 463.– |

| Options | 250 mm Suffix | Surcharge € each | 300 mm Suffix | Surcharge € each | 400 mm Suffix | Surcharge € each |
|--|---------------|--------------------|---------------|------------------|---------------|--------------------|
| Case enamelled in metallic silver grey RAL 9006 | -05 | 10.– | -05 | 10.– | -05 | 10.– |
| Case enamelled in metallic dark gun metal DB 703 | -06 | 10.– | -06 | 10.– | -06 | 10.– |
| Case custom enamelled | -10 | on request | -10 | on request | -10 | on request |
| Shock-resistant Plexiglas® XT (instead of mineral glass) | | fitted as standard | -53 | 59.– | | fitted as standard |
| External DCF77 receiving aerial (cannot be added later) | -60 | 169.– | -60 | 169.– | -60 | 169.– |

Options – just as you like them ...

These clocks are available optionally with customised features at the surcharges as listed. Just pick your option(s) and add the appropriate suffix(es) to the Item No.

| Case colour | Suffix |
|---------------------------------|--------|
| ■ metallic silver grey RAL 9006 | -05 |
| ■ dark gun metal DB 703 | -06 |
| ■ ? custom enamelled | -10 |

Type series

271



DCF77 radio controlled clocks

DCF77 radio controlled clocks will only function correctly within a radius of approx. 1,500 km around Mainflingen (50 km east of Frankfurt/M.) and under conditions of free radio propagation and may be impaired in heavily reinforced concrete structures. For this case we recommend a removable DCF77 aerial (option).

PEWETA DCFport24

PEWETA DCFport24 slave clocks require a PEWETA master clock (see from page 172 on).

PEWETA AirPort24

PEWETA AirPort24 slave clocks require an AirPort24 transmitter or repeater respectively (see page 177).

NTP

NTP system clocks require a PEWETA master clock (see from page 172 on) or an NTP time server (see page 179).

¹⁾NTP system clocks of "PoE" type require a PoE (Power over Ethernet) power supply. Appropriate hardware has to be supplied by customer.

Indoor Clocks

single face



Indoor
analog
single face

Type series
271



51.271.331 shown

Wall clocks with sturdy **metal cases**. State-of-the-art, up-to-date, functional – totally reliable!



71.271.331

Slave clock, minute pulse 12...60 V



Case

- cir. 265 mm diameter
- cir. 300 mm diameter
- cir. 400 mm diameter

very sturdy metal case, enamelled white (RAL 9016). Optionally, at a surcharge, enamelled in metallic silver grey (RAL 9006), in dark gun metal (DB 703) or custom enamelled, as listed below.
Protection grade IP 40 (EN 60529).

Front glass

Flat shock-resistant Plexiglas® XT on 265 mm diameter cases, domed mineral glass on 300 mm diameter cases and shock-resistant Plexiglas® XT on 400 mm cases.

Face

High distinction white metal with black fine-line markings for easy, doubt-free reading even over longer distances.
Face printed according to DIN 41 091.

Hands

Black bar-type hour and minute hands, red second hand.

No second hand on minute pulse 12...60 V controlled slave clocks.

Power outage reserve

DCF77 radio controlled clocks and AirPort24 slave clocks with a 230 VAC power supply of this type series provide continued operation for approx. 14 days in case of a mains power outage.

| Clock type | face diameter ▶ | 250 mm | | 300 mm | | 400 mm | |
|---|-----------------|------------|--------|------------|--------|------------|--------|
| | | Item No. | € each | Item No. | € each | Item No. | € each |
| Quartz clock, battery operated 1.5 V | | 41.271.231 | 178.– | 41.271.331 | 180.– | 41.271.431 | 274.– |
| DCF77 radio controlled clock, battery operated 1.5 V | | 51.271.231 | 233.– | 51.271.331 | 235.– | 51.271.431 | 339.– |
| DCF77 radio controlled clock, mains operated 230 VAC, with outage reserve | | 52.271.231 | 313.– | 52.271.331 | 315.– | 52.271.431 | 419.– |
| Slave clock, minute pulse 12...60 V | | 71.271.231 | 193.– | 71.271.331 | 195.– | 71.271.431 | 279.– |
| Slave clock, minute/second pulse 12/24 V | | 72.271.231 | 418.– | 72.271.331 | 420.– | 72.271.431 | 504.– |
| Slave clock, minute/second pulse 12/24 V, extra low noise motion | | 73.271.231 | 558.– | 73.271.331 | 560.– | 73.271.431 | 644.– |
| Slave clock, minute pulse 12/24 V, synchronous second hand 230 VAC/50 Hz | | 74.271.231 | 603.– | 74.271.331 | 605.– | 74.271.431 | 689.– |
| Slave clock, second pulse 12/24 V, with creeping minute hand | | 75.271.231 | 578.– | 75.271.331 | 580.– | 75.271.431 | 664.– |
| Telegram slave clock, DCFport24 | | 81.271.231 | 218.– | 81.271.331 | 220.– | 81.271.431 | 314.– |
| RC telegram slave clock, AirPort24, battery operated 1.5 V | | 84.271.231 | 322.– | 84.271.331 | 324.– | 84.271.431 | 418.– |
| RC telegram slave clock, AirPort24, mains operated 230 VAC, with outage reserve | | 85.271.231 | 382.– | 85.271.331 | 384.– | 85.271.431 | 478.– |
| NTP system clock (NTP client), synchronisation by LAN, PoE ¹⁾ | | 91.271.231 | 367.– | 91.271.331 | 369.– | 91.271.431 | 463.– |

| Options | 250 mm Suffix | Surcharge € each | 300 mm Suffix | Surcharge € each | 400 mm Suffix | Surcharge € each |
|--|---------------|--------------------|---------------|------------------|---------------|--------------------|
| Case enamelled in metallic silver grey RAL 9006 | -05 | 10.– | -05 | 10.– | -05 | 10.– |
| Case enamelled in metallic dark gun metal DB 703 | -06 | 10.– | -06 | 10.– | -06 | 10.– |
| Case custom enamelled | -10 | on request | -10 | on request | -10 | on request |
| Shock-resistant Plexiglas® XT (instead of mineral glass) | | fitted as standard | -53 | 59.– | | fitted as standard |
| External DCF77 receiving aerial (cannot be added later) | -60 | 169.– | -60 | 169.– | -60 | 169.– |

Options – just as you like them ...

These clocks are available optionally with customised features at the surcharges as listed. Just pick your option(s) and add the appropriate suffix(es) to the Item No.

| Case colour | Suffix |
|-------------------------------|--------|
| metallic silver grey RAL 9006 | -05 |
| dark gun metal DB 703 | -06 |
| custom enamelled | -10 |



Indoor analog single face

Type series

271



DCF77 radio controlled clocks

DCF77 radio controlled clocks will only function correctly within a radius of approx. 1,500 km around Mainflingen (50 km east of Frankfurt/M.) and under conditions of free radio propagation and may be impaired in heavily reinforced concrete structures. For this case we recommend a removable DCF77 aerial (option).

PEWETA DCFport24

PEWETA DCFport24 slave clocks require a PEWETA master clock (see from page 172 on).

PEWETA AirPort24

PEWETA AirPort24 slave clocks require an AirPort24 transmitter or repeater respectively (see page 177).

NTP

NTP system clocks require a PEWETA master clock (see from page 172 on) or an NTP time server (see page 179).

¹⁾NTP system clocks of "PoE" type require a PoE (Power over Ethernet) power supply. Appropriate hardware has to be supplied by customer.

Indoor Clocks

double face



Indoor
analog
double face

Type series

272



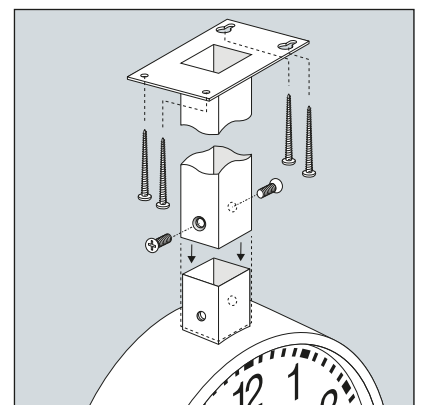
81.272.312 shown

Double face clocks for all places where time must be readable from either side. Robust metal, fit everywhere!



Suffix -37

Metal cover for wall or ceiling mounting brackets available as an option



Detachable ceiling mounting in any length desired (e.g. for suspension beneath a false ceiling), available as an option (Suffix -29)



Case

- cir. 270 mm diameter
- cir. 320 mm diameter
- cir. 420 mm diameter

very sturdy metal case, enamelled white (RAL 9016). Optionally, at a surcharge, the case may be enamelled in metallic silver grey (RAL 9006), in dark gun metal (DB 703) or custom enamelled, as listed below.

As an option, a stainless steel case (1.4301 X5CrNi 18-10, German trade name V2A) is available in a matted finish.

Protection grade IP 40 (EN 60 529).

Mounting

Choice of very sturdy wall or ceiling mounting brackets, standard length cir. 150 mm. For custom lengths or custom mounting options see table below.

Front glasses

Flat, shock-resistant Plexiglas® XT for outstandingly clear visibility.

Faces

High distinction white metal with black Arabic numerals for easy, doubt-free reading even over longer distances. Faces printed according to DIN 41 091.

Hands

Black bar-type hour and minute hands, red second hands.

No second hands on DCF77 and AirPort24 radio controlled clocks and on minute pulse 12...60 V controlled slave clocks.

Double face clocks

Double face clocks come completely wired and pre-assembled. Just mount them and plug in – that's it!

Stainless steel V2A (option)

Due to its components stainless steel V2A is an alloy almost completely impervious to detergents and disinfectants and is therefore excellently suited for the use in the food and pharmaceutical industries, in kitchens, laboratories and other clean rooms. And it looks good into the bargain, as well!



Indoor analog double face

Type series

272



DCF77 radio controlled clocks

DCF77 radio controlled clocks of this type series will be supplied including a rotatable DCF77 aerial (IP 68). Thus, optimum reception quality can be achieved regardless of the final placement of the clock itself. However, DCF77 radio controlled clocks will only function correctly within a radius of approx. 1,500 km around Mainflingen (50 km east of Frankfurt/M.).

PEWETA DCFport24

PEWETA DCFport24 slave clocks require a PEWETA master clock (see from page 172 on).

PEWETA AirPort24

PEWETA AirPort24 slave clocks require an AirPort24 transmitter or repeater respectively (see page 177).

NTP

NTP system clocks require a PEWETA master clock (see from page 172 on) or an NTP time server (see page 179).

| ▼ Clock type | Face diameter ▶ Mounting ▼ | 250 mm | | 300 mm | | 400 mm | |
|---|-------------------------------|------------|---------|------------|---------|------------|---------|
| | | Item No. | € each | Item No. | € each | Item No. | € each |
| DCF77 radio controlled clock, battery operated 1.5 V ^{1) 2)} | wall | 51.272.212 | 675.– | 51.272.312 | 745.– | 51.272.412 | 825.– |
| | ceiling | 51.272.213 | 675.– | 51.272.313 | 745.– | 51.272.413 | 825.– |
| DCF77 radio controlled clock, mains operated 230 VAC ²⁾ | wall | 52.272.212 | 715.– | 52.272.312 | 785.– | 52.272.412 | 865.– |
| | ceiling | 52.272.213 | 715.– | 52.272.313 | 785.– | 52.272.413 | 865.– |
| Slave clock, minute pulse 12...60 V | wall | 71.272.212 | 419.– | 71.272.312 | 459.– | 71.272.412 | 539.– |
| | ceiling | 71.272.213 | 419.– | 71.272.313 | 459.– | 71.272.413 | 539.– |
| Slave clock, minute/second pulse 12/24 V | wall | 72.272.212 | 869.– | 72.272.312 | 909.– | 72.272.412 | 989.– |
| | ceiling | 72.272.213 | 869.– | 72.272.313 | 909.– | 72.272.413 | 989.– |
| Slave clock, minute/second pulse 12/24 V, extra low noise motion | wall | 74.272.212 | 1,239.– | 74.272.312 | 1,279.– | 74.272.412 | 1,359.– |
| | ceiling | 74.272.213 | 1,239.– | 74.272.313 | 1,279.– | 74.272.413 | 1,359.– |
| Slave clock, minute pulse 12/24 V, synchronous second hand 230 VAC/50 Hz | wall | 75.272.212 | 1,189.– | 75.272.312 | 1,229.– | 75.272.412 | 1,309.– |
| | ceiling | 75.272.213 | 1,189.– | 75.272.313 | 1,229.– | 75.272.413 | 1,309.– |
| Telegram slave clock, DCFport24 | wall | 81.272.212 | 465.– | 81.272.312 | 505.– | 81.272.412 | 585.– |
| | ceiling | 81.272.213 | 465.– | 81.272.313 | 505.– | 81.272.413 | 585.– |
| RC telegram slave clock, AirPort24, battery operated 1.5 V ¹⁾ | wall | 84.272.212 | 685.– | 84.272.312 | 725.– | 84.272.412 | 805.– |
| | ceiling | 84.272.213 | 685.– | 84.272.313 | 725.– | 84.272.413 | 805.– |
| RC telegram slave clock, AirPort24, mains operated 230 VAC, with outage reserve | wall | 85.272.212 | 725.– | 85.272.312 | 765.– | 85.272.412 | 845.– |
| | ceiling | 85.272.213 | 725.– | 85.272.313 | 765.– | 85.272.413 | 845.– |
| NTP system clock (NTP client), synchronisation by LAN, PoE ³⁾ | wall | 91.272.212 | 635.– | 91.272.312 | 675.– | 91.272.412 | 755.– |
| | ceiling | 91.272.213 | 635.– | 91.272.313 | 675.– | 91.272.413 | 755.– |

| Options | 250 mm Suffix | Surcharge € each | 300 mm Suffix | Surcharge € each | 400 mm Suffix | Surcharge € each |
|---|---------------|------------------|---------------|------------------|---------------|------------------|
| Case enamelled in metallic silver grey RAL 9006 | -05 | 39.– | -05 | 45.– | -05 | 49.– |
| Case enamelled in metallic dark gun metal DB 703 | -06 | 39.– | -06 | 45.– | -06 | 49.– |
| Case custom enamelled | -10 | on request | -10 | on request | -10 | on request |
| Case stainless steel V2A, matted finish | -20 | on request | -20 | on request | -20 | on request |
| Detachable ceiling mounting (length acc. to customer's choice) | -29 | on request | -29 | on request | -29 | on request |
| Case with lugs for suspension by ropes or chains | -30 | on request | -30 | on request | -30 | on request |
| Metal cover for wall or ceiling mounting brackets | -37 | 39.– | -37 | 39.– | -37 | 39.– |
| Stainless steel cover V2A for wall or ceiling mounting brackets | -38 | 95.– | -38 | 95.– | -38 | 95.– |

| Case colour | Suffix |
|-------------------------------|--------|
| metallic silver grey RAL 9006 | -05 |
| dark gun metal DB 703 | -06 |
| custom enamelled | -10 |
| stainless steel V2A | -20 |

¹⁾ Alkaline batteries are included in delivery shipment (medium lifespan: cir. 4 years).

²⁾ A rotatable DCF77 receiving aerial is included in delivery shipment.

³⁾ NTP system clocks of "PoE" type require a PoE (Power over Ethernet) power supply. Appropriate hardware has to be supplied by customer.

Indoor Clocks

double face



Indoor
analog
double face

Type series

272



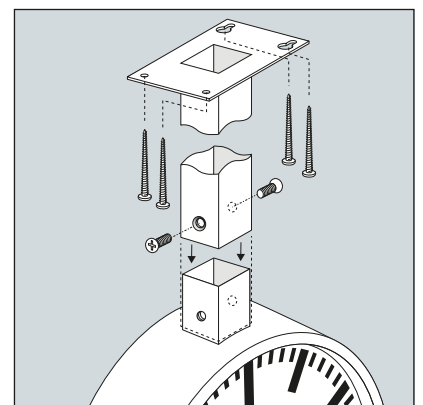
71.272.322 shown

Double face clocks for all places where time must be readable from either side. Robust metal, fit everywhere!



71.272.423 -30

Clock case with lugs (option) for suspension by metal ropes or chains



Detachable ceiling mounting in any length desired (e.g. for suspension beneath a false ceiling), available as an option (Suffix -29)



Case

- cir. 270 mm diameter
- cir. 320 mm diameter
- cir. 420 mm diameter

very sturdy metal case, enamelled white (RAL 9016). Optionally, at a surcharge, the case may be enamelled in metallic silver grey (RAL 9006), in dark gun metal (DB 703) or custom enamelled, as listed below.

As an option, a stainless steel case (1.4301 X5CrNi 18-10, German trade name V2A) is available in a matted finish.

Protection grade IP 40 (EN 60 529).

Mounting

Choice of very sturdy wall or ceiling mounting brackets, standard length cir. 150 mm. For custom lengths or custom mounting options see table below.

Front glasses

Flat, shock-resistant Plexiglas® XT for outstandingly clear visibility.

Faces

High distinction white metal with black DIN bar markings for easy, doubt-free reading even over longer distances. Face printed according to DIN 41 091.

Hands

Pointed black bar-type hour and minute hands, red second hands.

No second hands on DCF77 and AirPort24 radio controlled clocks and on minute pulse 12...60 V controlled slave clocks.

Double face clocks

Double face clocks come completely wired and pre-assembled. Just mount them and plug in – that's it!

Stainless steel V2A (option)

Due to its components stainless steel V2A is an alloy almost completely impervious to detergents and disinfectants and is therefore excellently suited for the use in the food and pharmaceutical industries, in kitchens, laboratories and other clean rooms. And it looks good into the bargain, as well!



Indoor analog double face

Type series

272



| ▼ Clock type | Face diameter ▶ Mounting ▼ | 250 mm | | 300 mm | | 400 mm | |
|---|-------------------------------|------------|---------|------------|---------|------------|---------|
| | | Item No. | € each | Item No. | € each | Item No. | € each |
| DCF77 radio controlled clock, battery operated 1.5 V ¹⁾²⁾ | wall | 51.272.222 | 675.– | 51.272.322 | 745.– | 51.272.422 | 825.– |
| | ceiling | 51.272.223 | 675.– | 51.272.323 | 745.– | 51.272.423 | 825.– |
| DCF77 radio controlled clock, mains operated 230 VAC ²⁾ | wall | 52.272.222 | 715.– | 52.272.322 | 785.– | 52.272.422 | 865.– |
| | ceiling | 52.272.223 | 715.– | 52.272.323 | 785.– | 52.272.423 | 865.– |
| Slave clock, minute pulse 12...60 V | wall | 71.272.222 | 419.– | 71.272.322 | 459.– | 71.272.422 | 539.– |
| | ceiling | 71.272.223 | 419.– | 71.272.323 | 459.– | 71.272.423 | 539.– |
| Slave clock, minute/second pulse 12/24 V | wall | 72.272.222 | 869.– | 72.272.322 | 909.– | 72.272.422 | 989.– |
| | ceiling | 72.272.223 | 869.– | 72.272.323 | 909.– | 72.272.423 | 989.– |
| Slave clock, minute/second pulse 12/24 V, extra low noise motion | wall | 74.272.222 | 1,239.– | 74.272.322 | 1,279.– | 74.272.422 | 1,359.– |
| | ceiling | 74.272.223 | 1,239.– | 74.272.323 | 1,279.– | 74.272.423 | 1,359.– |
| Slave clock, minute pulse 12/24 V, synchronous second hand 230 VAC/50 Hz | wall | 75.272.222 | 1,189.– | 75.272.322 | 1,229.– | 75.272.422 | 1,309.– |
| | ceiling | 75.272.223 | 1,189.– | 75.272.323 | 1,229.– | 75.272.423 | 1,309.– |
| Telegram slave clock, DCFport24 | wall | 81.272.222 | 465.– | 81.272.322 | 505.– | 81.272.422 | 585.– |
| | ceiling | 81.272.223 | 465.– | 81.272.323 | 505.– | 81.272.423 | 585.– |
| RC telegram slave clock, AirPort24, battery operated 1.5 V ¹⁾ | wall | 84.272.222 | 685.– | 84.272.322 | 725.– | 84.272.422 | 805.– |
| | ceiling | 84.272.223 | 685.– | 84.272.323 | 725.– | 84.272.423 | 805.– |
| RC telegram slave clock, AirPort24, mains operated 230 VAC, with outage reserve | wall | 85.272.222 | 725.– | 85.272.322 | 765.– | 85.272.422 | 845.– |
| | ceiling | 85.272.223 | 725.– | 85.272.323 | 765.– | 85.272.423 | 845.– |
| NTP system clock (NTP client), synchronisation by LAN, PoE ³⁾ | wall | 91.272.222 | 635.– | 91.272.322 | 675.– | 91.272.422 | 755.– |
| | ceiling | 91.272.223 | 635.– | 91.272.323 | 675.– | 91.272.423 | 755.– |

| Options | 250 mm Suffix | Surcharge € each | 300 mm Suffix | Surcharge € each | 400 mm Suffix | Surcharge € each |
|---|---------------|------------------|---------------|------------------|---------------|------------------|
| Case enamelled in metallic silver grey RAL 9006 | -05 | 39.– | -05 | 45.– | -05 | 49.– |
| Case enamelled in metallic dark gun metal DB 703 | -06 | 39.– | -06 | 45.– | -06 | 49.– |
| Case custom enamelled | -10 | on request | -10 | on request | -10 | on request |
| Case stainless steel V2A, matted finish | -20 | on request | -20 | on request | -20 | on request |
| Detachable ceiling mounting (length acc. to customer's choice) | -29 | on request | -29 | on request | -29 | on request |
| Case with lugs for suspension by ropes or chains | -30 | on request | -30 | on request | -30 | on request |
| Metal cover for wall or ceiling mounting brackets | -37 | 39.– | -37 | 39.– | -37 | 39.– |
| Stainless steel cover V2A for wall or ceiling mounting brackets | -38 | 95.– | -38 | 95.– | -38 | 95.– |

| Case colour | Suffix |
|-------------------------------|--------|
| metallic silver grey RAL 9006 | -05 |
| dark gun metal DB 703 | -06 |
| custom enamelled | -10 |
| stainless steel V2A | -20 |

DCF77 radio controlled clocks

DCF77 radio controlled clocks of this type series will be supplied including a rotatable DCF77 aerial (IP 68). Thus, optimum reception quality can be achieved regardless of the final placement of the clock itself. However, DCF77 radio controlled clocks will only function correctly within a radius of approx. 1,500 km around Mainflingen (50 km east of Frankfurt/M.).

PEWETA DCFport24

PEWETA DCFport24 slave clocks require a PEWETA master clock (see from page 172 on).

PEWETA AirPort24

PEWETA AirPort24 slave clocks require an AirPort24 transmitter or repeater respectively (see page 177).

NTP

NTP system clocks require a PEWETA master clock (see from page 172 on) or an NTP time server (see page 179).

¹⁾ Alkaline batteries are included in delivery shipment (medium lifespan: cir. 4 years).

²⁾ A rotatable DCF77 receiving aerial is included in delivery shipment.

³⁾ NTP system clocks of "PoE" type require a PoE (Power over Ethernet) power supply. Appropriate hardware has to be supplied by customer.

Indoor Clocks

double face



Indoor
analog
double face

Type series

272



81.272.332 shown

Double face clocks for all places where time must be readable from either side. Robust metal, fit everywhere!



Suffix -37

Metal cover for wall or ceiling mounting brackets available as an option



71.272.433 -30

Clock case with lugs (option) for suspension by metal ropes or chains



Case

- cir. 270 mm diameter
- cir. 320 mm diameter
- cir. 420 mm diameter

very sturdy metal case, enamelled white (RAL 9016). Optionally, at a surcharge, the case may be enamelled in metallic silver grey (RAL 9006), in dark gun metal (DB 703) or custom enamelled, as listed below.

As an option, a stainless steel case (1.4301 X5CrNi 18-10, German trade name V2A) is available in a matted finish.

Protection grade IP 40 (EN 60 529).

Mounting

Choice of very sturdy wall or ceiling mounting brackets, standard length cir. 150 mm. For custom lengths or custom mounting options see table below.

Front glasses

Flat, shock-resistant Plexiglas® XT for outstandingly clear visibility.

Faces

High distinction white metal with black fine-line markings for easy, doubt-free reading even over longer distances.

Face printed according to DIN 41 091.

Hands

Black bar-type hour and minute hands, red second hands.

No second hands on DCF77 and AirPort24 radio controlled clocks and on minute pulse 12...60 V controlled slave clocks.

Double face clocks

Double face clocks come completely wired and pre-assembled.

Just mount them and plug in – that's it!

Stainless steel V2A (option)

Due to its components stainless steel V2A is an alloy almost completely impervious to detergents and disinfectants and is therefore excellently suited for the use in the food and pharmaceutical industries, in kitchens, laboratories and other clean rooms. And it looks good into the bargain, as well!



Indoor analog double face

Type series

272



DCF77 radio controlled clocks

DCF77 radio controlled clocks of this type series will be supplied including a rotatable DCF77 aerial (IP 68). Thus, optimum reception quality can be achieved regardless of the final placement of the clock itself. However, DCF77 radio controlled clocks will only function correctly within a radius of approx. 1,500 km around Mainflingen (50 km east of Frankfurt/M.).

PEWETA DCFport24

PEWETA DCFport24 slave clocks require a PEWETA master clock (see from page 172 on).

PEWETA AirPort24

PEWETA AirPort24 slave clocks require an AirPort24 transmitter or repeater respectively (see page 177).

NTP

NTP system clocks require a PEWETA master clock (see from page 172 on) or an NTP time server (see page 179).

| ▼ Clock type | Face diameter ▶ Mounting ▼ | 250 mm | | 300 mm | | 400 mm | |
|---|-------------------------------|------------|---------|------------|---------|------------|---------|
| | | Item No. | € each | Item No. | € each | Item No. | € each |
| DCF77 radio controlled clock, battery operated 1.5 V ^{1) 2)} | wall | 51.272.232 | 675.– | 51.272.332 | 745.– | 51.272.432 | 825.– |
| | ceiling | 51.272.233 | 675.– | 51.272.333 | 745.– | 51.272.433 | 825.– |
| DCF77 radio controlled clock, mains operated 230 VAC ²⁾ | wall | 52.272.232 | 715.– | 52.272.332 | 785.– | 52.272.432 | 865.– |
| | ceiling | 52.272.233 | 715.– | 52.272.333 | 785.– | 52.272.433 | 865.– |
| Slave clock, minute pulse 12...60 V | wall | 71.272.232 | 419.– | 71.272.332 | 459.– | 71.272.432 | 539.– |
| | ceiling | 71.272.233 | 419.– | 71.272.333 | 459.– | 71.272.433 | 539.– |
| Slave clock, minute/second pulse 12/24 V | wall | 72.272.232 | 869.– | 72.272.332 | 909.– | 72.272.432 | 989.– |
| | ceiling | 72.272.233 | 869.– | 72.272.333 | 909.– | 72.272.433 | 989.– |
| Slave clock, minute/second pulse 12/24 V, extra low noise motion | wall | 74.272.232 | 1,239.– | 74.272.332 | 1,279.– | 74.272.432 | 1,359.– |
| | ceiling | 74.272.233 | 1,239.– | 74.272.333 | 1,279.– | 74.272.433 | 1,359.– |
| Slave clock, minute pulse 12/24 V, synchronous second hand 230 VAC/50 Hz | wall | 75.272.232 | 1,189.– | 75.272.332 | 1,229.– | 75.272.432 | 1,309.– |
| | ceiling | 75.272.233 | 1,189.– | 75.272.333 | 1,229.– | 75.272.433 | 1,309.– |
| Telegram slave clock, DCFport24 | wall | 81.272.232 | 465.– | 81.272.332 | 505.– | 81.272.432 | 585.– |
| | ceiling | 81.272.233 | 465.– | 81.272.333 | 505.– | 81.272.433 | 585.– |
| RC telegram slave clock, AirPort24, battery operated 1.5 V ¹⁾ | wall | 84.272.232 | 685.– | 84.272.332 | 725.– | 84.272.432 | 805.– |
| | ceiling | 84.272.233 | 685.– | 84.272.333 | 725.– | 84.272.433 | 805.– |
| RC telegram slave clock, AirPort24, mains operated 230 VAC, with outage reserve | wall | 85.272.232 | 725.– | 85.272.332 | 765.– | 85.272.432 | 845.– |
| | ceiling | 85.272.233 | 725.– | 85.272.333 | 765.– | 85.272.433 | 845.– |
| NTP system clock (NTP client), synchronisation by LAN, PoE ³⁾ | wall | 91.272.232 | 635.– | 91.272.332 | 675.– | 91.272.432 | 755.– |
| | ceiling | 91.272.233 | 635.– | 91.272.333 | 675.– | 91.272.433 | 755.– |

| Options | 250 mm Suffix | Surcharge € each | 300 mm Suffix | Surcharge € each | 400 mm Suffix | Surcharge € each |
|---|---------------|------------------|---------------|------------------|---------------|------------------|
| Case enamelled in metallic silver grey RAL 9006 | -05 | 39.– | -05 | 45.– | -05 | 49.– |
| Case enamelled in metallic dark gun metal DB 703 | -06 | 39.– | -06 | 45.– | -06 | 49.– |
| Case custom enamelled | -10 | on request | -10 | on request | -10 | on request |
| Case stainless steel V2A, matted finish | -20 | on request | -20 | on request | -20 | on request |
| Detachable ceiling mounting (length acc. to customer's choice) | -29 | on request | -29 | on request | -29 | on request |
| Case with lugs for suspension by ropes or chains | -30 | on request | -30 | on request | -30 | on request |
| Metal cover for wall or ceiling mounting brackets | -37 | 39.– | -37 | 39.– | -37 | 39.– |
| Stainless steel cover V2A for wall or ceiling mounting brackets | -38 | 95.– | -38 | 95.– | -38 | 95.– |

| Case colour | Suffix |
|---------------------------------|--------|
| ■ metallic silver grey RAL 9006 | -05 |
| ■ dark gun metal DB 703 | -06 |
| ■ custom enamelled | -10 |
| ■ stainless steel V2A | -20 |

¹⁾ Alkaline batteries are included in delivery shipment (medium lifespan: cir. 4 years).

²⁾ A rotatable DCF77 receiving aerial is included in delivery shipment.

³⁾ NTP system clocks of "PoE" type require a PoE (Power over Ethernet) power supply. Appropriate hardware has to be supplied by customer.

All prices are subject to change without notice, packing and shipping cost (see page 185) as well as VAT for deliveries within Germany added. Prices shown as of January 1st, 2024. If you have any questions or require additional information, please contact us, we will gladly give advice.



Indoor Clocks

single face



Indoor
analog
single face

Type series
280



41.280.311 shown

Wall clocks with shock-resistant **plastic cases**. State-of-the-art, up-to-date, functional – totally reliable!



71.280.311

Slave clock, minute pulse 12...60 V



Case

- cir. 275 x 275 mm
 - cir. 325 x 325 mm
 - cir. 425 x 425 mm
- shock-resistant Plexiglas® XT case with a matted rim.
Protection grade IP 40 (EN 60 529).

Front glass

Shock-resistant Plexiglas® XT for outstandingly clear visibility.

Face

High distinction white metal with black Arabic numerals for easy, doubt-free reading even over longer distances. Face printed according to DIN 41 091.

Hands

Black bar-type hour and minute hands, red second hand.

No second hand on minute pulse 12...60 V controlled slave clocks.



Indoor
analog
single face

Power outage reserve

DCF77 radio controlled clocks and AirPort24 slave clocks with a 230 VAC power supply of this type series provide continued operation for approx. 14 days in case of a mains power outage.

| Clock type | Face dimensions ▶ | 250 x 250 mm | | 300 x 300 mm | | 400 x 400 mm | |
|---|-------------------|------------------|------------------|------------------|------------------|------------------|------------------|
| | | Item No. | € each | Item No. | € each | Item No. | € each |
| Quartz clock, battery operated 1.5 V | | 41.280.211 | 129.– | 41.280.311 | 134.– | 41.280.411 | 179.– |
| DCF77 radio controlled clock, battery operated 1.5 V | | 51.280.211 | 184.– | 51.280.311 | 189.– | 51.280.411 | 244.– |
| DCF77 radio controlled clock, mains operated 230 VAC, with outage reserve | | 52.280.211 | 264.– | 52.280.311 | 269.– | 52.280.411 | 324.– |
| Slave clock, minute pulse 12...60 V | | 71.280.211 | 144.– | 71.280.311 | 149.– | 71.280.411 | 184.– |
| Slave clock, minute/second pulse 12/24 V | | 72.280.211 | 369.– | 72.280.311 | 374.– | 72.280.411 | 409.– |
| Slave clock, minute/second pulse 12/24 V, extra low noise motion | | 73.280.211 | 509.– | 73.280.311 | 514.– | 73.280.411 | 549.– |
| Slave clock, minute pulse 12/24 V, synchronous second hand 230 VAC/50 Hz | | 74.280.211 | 554.– | 74.280.311 | 559.– | 74.280.411 | 594.– |
| Slave clock, second pulse 12/24 V, with creeping minute hand | | 75.280.211 | 529.– | 75.280.311 | 534.– | 75.280.411 | 569.– |
| Telegram slave clock, DCFport24 | | 81.280.211 | 169.– | 81.280.311 | 174.– | 81.280.411 | 219.– |
| RC telegram slave clock, AirPort24, battery operated 1.5 V | | 84.280.211 | 273.– | 84.280.311 | 278.– | 84.280.411 | 323.– |
| RC telegram slave clock, AirPort24, mains operated 230 VAC, with outage reserve | | 85.280.211 | 333.– | 85.280.311 | 338.– | 85.280.411 | 383.– |
| NTP system clock (NTP client), synchronisation by LAN, PoE ¹⁾ | | 91.280.211 | 318.– | 91.280.311 | 323.– | 91.280.411 | 368.– |
| Option | | 250x250mm Suffix | Surcharge € each | 300x300mm Suffix | Surcharge € each | 400x400mm Suffix | Surcharge € each |
| External DCF77 receiving aerial (cannot be added later) | | -60 | 169.– | -60 | 169.– | -60 | 169.– |

Type series

280



DCF77 radio controlled clocks

DCF77 radio controlled clocks will only function correctly within a radius of approx. 1,500 km around Mainflingen (50 km east of Frankfurt/M.) and under conditions of free radio propagation and may be impaired in heavily reinforced concrete structures. For this case we recommend a remotable DCF77 aerial (option).

PEWETA DCFport24

PEWETA DCFport24 slave clocks require a PEWETA master clock (see from page 172 on).

PEWETA AirPort24

PEWETA AirPort24 slave clocks require an AirPort24 transmitter or repeater respectively (see page 177).

NTP

NTP system clocks require a PEWETA master clock (see from page 172 on) or an NTP time server (see page 179).

¹⁾NTP system clocks of "PoE" type require a PoE (Power over Ethernet) power supply. Appropriate hardware has to be supplied by customer.

Indoor Clocks

single face



Indoor
analog
single face

Type series

280



71.280.321 shown

Wall clocks with shock-resistant plastic cases. State-of-the-art, up-to-date, functional – totally reliable!



81.280.321

Telegram slave clock



Case

- cir. 275 x 275 mm
 - cir. 325 x 325 mm
 - cir. 425 x 425 mm
- shock-resistant Plexiglas® XT case with a matted rim.
Protection grade IP 40 (EN 60529).

Front glass

Shock-resistant Plexiglas® XT for outstandingly clear visibility.

Face

High distinction white metal with black DIN bar markings for easy, doubt-free reading even over longer distances. Face printed according to DIN 41091.

Hands

Pointed black bar-type hour and minute hands, red second hand.
No second hand on minute pulse 12...60 V controlled slave clocks.



Indoor
analog
single face

Power outage reserve

DCF77 radio controlled clocks and AirPort24 slave clocks with a 230 VAC power supply of this type series provide continued operation for approx. 14 days in case of a mains power outage.

| Clock type | Face dimensions ▶ | 250 x 250 mm | | 300 x 300 mm | | 400 x 400 mm | |
|---|-------------------|--------------|--------|--------------|--------|--------------|--------|
| | | Item No. | € each | Item No. | € each | Item No. | € each |
| Quartz clock, battery operated 1.5 V | | 41.280.221 | 129.– | 41.280.321 | 134.– | 41.280.421 | 179.– |
| DCF77 radio controlled clock, battery operated 1.5 V | | 51.280.221 | 184.– | 51.280.321 | 189.– | 51.280.421 | 244.– |
| DCF77 radio controlled clock, mains operated 230 VAC, with outage reserve | | 52.280.221 | 264.– | 52.280.321 | 269.– | 52.280.421 | 324.– |
| Slave clock, minute pulse 12...60 V | | 71.280.221 | 144.– | 71.280.321 | 149.– | 71.280.421 | 184.– |
| Slave clock, minute/second pulse 12/24 V | | 72.280.221 | 369.– | 72.280.321 | 374.– | 72.280.421 | 409.– |
| Slave clock, minute/second pulse 12/24 V, extra low noise motion | | 73.280.221 | 509.– | 73.280.321 | 514.– | 73.280.421 | 549.– |
| Slave clock, minute pulse 12/24 V, synchronous second hand 230 VAC/50 Hz | | 74.280.221 | 554.– | 74.280.321 | 559.– | 74.280.421 | 594.– |
| Slave clock, second pulse 12/24 V, with creeping minute hand | | 75.280.221 | 529.– | 75.280.321 | 534.– | 75.280.421 | 569.– |
| Telegram slave clock, DCFport24 | | 81.280.221 | 169.– | 81.280.321 | 174.– | 81.280.421 | 219.– |
| RC telegram slave clock, AirPort24, battery operated 1.5 V | | 84.280.221 | 273.– | 84.280.321 | 278.– | 84.280.421 | 323.– |
| RC telegram slave clock, AirPort24, mains operated 230 VAC, with outage reserve | | 85.280.221 | 333.– | 85.280.321 | 338.– | 85.280.421 | 383.– |
| NTP system clock (NTP client), synchronisation by LAN, PoE ¹⁾ | | 91.280.221 | 318.– | 91.280.321 | 323.– | 91.280.421 | 368.– |

| Option | 250x250mm Suffix | Surcharge € each | 300x300mm Suffix | Surcharge € each | 400x400mm Suffix | Surcharge € each |
|---|------------------|------------------|------------------|------------------|------------------|------------------|
| External DCF77 receiving aerial (cannot be added later) | -60 | 169.– | -60 | 169.– | -60 | 169.– |

Type series

280



DCF77 radio controlled clocks

DCF77 radio controlled clocks will only function correctly within a radius of approx. 1,500 km around Mainflingen (50 km east of Frankfurt/M.) and under conditions of free radio propagation and may be impaired in heavily reinforced concrete structures. For this case we recommend a removable DCF77 aerial (option).

PEWETA DCFport24

PEWETA DCFport24 slave clocks require a PEWETA master clock (see from page 172 on).

PEWETA AirPort24

PEWETA AirPort24 slave clocks require an AirPort24 transmitter or repeater respectively (see page 177).

NTP

NTP system clocks require a PEWETA master clock (see from page 172 on) or an NTP time server (see page 179).

¹⁾NTP system clocks of "PoE" type require a PoE (Power over Ethernet) power supply. Appropriate hardware has to be supplied by customer.

Indoor Clocks

single face



Indoor
analog
single face

Type series
280



51.280.331 shown

Wall clocks with shock-resistant **plastic cases**. State-of-the-art, up-to-date, functional – totally reliable!



71.280.331

Slave clock, minute pulse 12...60 V



Case

- cir. 275 x 275 mm
 - cir. 325 x 325 mm
 - cir. 425 x 425 mm
- shock-resistant Plexiglas® XT case with a matted rim.
Protection grade IP 40 (EN 60 529).

Front glass

Shock-resistant Plexiglas® XT for outstandingly clear visibility.

Face

High distinction white metal with black fine-line markings for easy, doubt-free reading even over longer distances.
Face printed according to DIN 41 091.

Hands

Black bar-type hour and minute hands, red second hand.

No second hand on minute pulse 12...60 V controlled slave clocks.



Indoor
analog
single face

Power outage reserve

DCF77 radio controlled clocks and AirPort24 slave clocks with a 230 VAC power supply of this type series provide continued operation for approx. 14 days in case of a mains power outage.

| Clock type | Face dimensions ▶ | 250 x 250 mm | | 300 x 300 mm | | 400 x 400 mm | |
|---|-------------------|--------------|--------|--------------|--------|--------------|--------|
| | | Item No. | € each | Item No. | € each | Item No. | € each |
| Quartz clock, battery operated 1.5 V | | 41.280.231 | 129.– | 41.280.331 | 134.– | 41.280.431 | 179.– |
| DCF77 radio controlled clock, battery operated 1.5 V | | 51.280.231 | 184.– | 51.280.331 | 189.– | 51.280.431 | 244.– |
| DCF77 radio controlled clock, mains operated 230 VAC, with outage reserve | | 52.280.231 | 264.– | 52.280.331 | 269.– | 52.280.431 | 324.– |
| Slave clock, minute pulse 12...60 V | | 71.280.231 | 144.– | 71.280.331 | 149.– | 71.280.431 | 184.– |
| Slave clock, minute/second pulse 12/24 V | | 72.280.231 | 369.– | 72.280.331 | 374.– | 72.280.431 | 409.– |
| Slave clock, minute/second pulse 12/24 V, extra low noise motion | | 73.280.231 | 509.– | 73.280.331 | 514.– | 73.280.431 | 549.– |
| Slave clock, minute pulse 12/24 V, synchronous second hand 230 VAC/50 Hz | | 74.280.231 | 554.– | 74.280.331 | 559.– | 74.280.431 | 594.– |
| Slave clock, second pulse 12/24 V, with creeping minute hand | | 75.280.231 | 529.– | 75.280.331 | 534.– | 75.280.431 | 569.– |
| Telegram slave clock, DCFport24 | | 81.280.231 | 169.– | 81.280.331 | 174.– | 81.280.431 | 219.– |
| RC telegram slave clock, AirPort24, battery operated 1.5 V | | 84.280.231 | 273.– | 84.280.331 | 278.– | 84.280.431 | 323.– |
| RC telegram slave clock, AirPort24, mains operated 230 VAC, with outage reserve | | 85.280.231 | 333.– | 85.280.331 | 338.– | 85.280.431 | 383.– |
| NTP system clock (NTP client), synchronisation by LAN, PoE ¹⁾ | | 91.280.231 | 318.– | 91.280.331 | 323.– | 91.280.431 | 368.– |

| Option | 250x250mm Suffix | Surcharge € each | 300x300mm Suffix | Surcharge € each | 400x400mm Suffix | Surcharge € each |
|---|------------------|------------------|------------------|------------------|------------------|------------------|
| External DCF77 receiving aerial (cannot be added later) | -60 | 169.– | -60 | 169.– | -60 | 169.– |

Type series

280



DCF77 radio controlled clocks

DCF77 radio controlled clocks will only function correctly within a radius of approx. 1,500 km around Mainflingen (50 km east of Frankfurt/M.) and under conditions of free radio propagation and may be impaired in heavily reinforced concrete structures. For this case we recommend a remotable DCF77 aerial (option).

PEWETA DCFport24

PEWETA DCFport24 slave clocks require a PEWETA master clock (see from page 172 on).

PEWETA AirPort24

PEWETA AirPort24 slave clocks require an AirPort24 transmitter or repeater respectively (see page 177).

NTP

NTP system clocks require a PEWETA master clock (see from page 172 on) or an NTP time server (see page 179).

¹⁾NTP system clocks of "PoE" type require a PoE (Power over Ethernet) power supply. Appropriate hardware has to be supplied by customer.

Indoor Clocks

single face



Indoor
analog
single face

Type series
281



81.281.311 shown

Wall clocks with sturdy **metal cases** with shock-resistant front glasses. State-of-the-art, up-to-date, functional – totally reliable!



71.281.311

Slave clock, minute pulse 12...60 V



Case

- cir. 275x275 mm
- cir. 325x325 mm
- cir. 425x425 mm

very sturdy metal case, enamelled white (RAL 9016). Optionally, at a surcharge, enamelled in metallic silver grey (RAL 9006), in dark gun metal (DB 703) or custom enamelled, as listed below.
Protection grade IP 40 (EN 60529).

Front glass

Flat shock-resistant Plexiglas® XT for outstandingly clear visibility.

Face

High distinction white metal with black Arabic numerals for easy, doubt-free reading even over longer distances. Face printed according to DIN 41 091.

Hands

Black bar-type hour and minute hands, red second hand.

No second hand on minute pulse 12...60 V controlled slave clocks.



Indoor analog single face

Power outage reserve

DCF77 radio controlled clocks and AirPort24 slave clocks with a 230 VAC power supply of this type series provide continued operation for approx. 14 days in case of a mains power outage.

| Clock type | Face dimensions ▶ | 250 x 250 mm | | 300 x 300 mm | | 400 x 400 mm | |
|---|-------------------|--------------|--------|--------------|--------|--------------|--------|
| | | Item No. | € each | Item No. | € each | Item No. | € each |
| Quartz clock, battery operated 1.5 V | | 41.281.211 | 178.– | 41.281.311 | 180.– | 41.281.411 | 274.– |
| DCF77 radio controlled clock, battery operated 1.5 V | | 51.281.211 | 233.– | 51.281.311 | 235.– | 51.281.411 | 339.– |
| DCF77 radio controlled clock, mains operated 230 VAC, with outage reserve | | 52.281.211 | 313.– | 52.281.311 | 315.– | 52.281.411 | 419.– |
| Slave clock, minute pulse 12...60 V | | 71.281.211 | 193.– | 71.281.311 | 195.– | 71.281.411 | 279.– |
| Slave clock, minute/second pulse 12/24 V | | 72.281.211 | 418.– | 72.281.311 | 420.– | 72.281.411 | 504.– |
| Slave clock, minute/second pulse 12/24 V, extra low noise motion | | 73.281.211 | 558.– | 73.281.311 | 560.– | 73.281.411 | 644.– |
| Slave clock, minute pulse 12/24 V, synchronous second hand 230 VAC/50 Hz | | 74.281.211 | 603.– | 74.281.311 | 605.– | 74.281.411 | 689.– |
| Slave clock, second pulse 12/24 V, with creeping minute hand | | 75.281.211 | 578.– | 75.281.311 | 580.– | 75.281.411 | 664.– |
| Telegram slave clock, DCFport24 | | 81.281.211 | 218.– | 81.281.311 | 220.– | 81.281.411 | 314.– |
| RC telegram slave clock, AirPort24, battery operated 1.5 V | | 84.281.211 | 322.– | 84.281.311 | 324.– | 84.281.411 | 418.– |
| RC telegram slave clock, AirPort24, mains operated 230 VAC, with outage reserve | | 85.281.211 | 382.– | 85.281.311 | 384.– | 85.281.411 | 478.– |
| NTP system clock (NTP client), synchronisation by LAN, PoE ¹⁾ | | 91.281.211 | 367.– | 91.281.311 | 369.– | 91.281.411 | 463.– |

| Options | 250x250mm Suffix | Surcharge € each | 300x300mm Suffix | Surcharge € each | 400x400mm Suffix | Surcharge € each |
|---|------------------|------------------|------------------|------------------|------------------|------------------|
| Case enamelled in metallic silver grey RAL 9006 | -05 | 10.– | -05 | 10.– | -05 | 10.– |
| Case enamelled in metallic dark gun metal DB 703 | -06 | 10.– | -06 | 10.– | -06 | 10.– |
| Case custom enamelled | -10 | on request | -10 | on request | -10 | on request |
| External DCF77 receiving aerial (cannot be added later) | -60 | 169.– | -60 | 169.– | -60 | 169.– |

Options – just as you like them ...

These clocks are available optionally with customised features at the surcharges as listed. Just pick your option(s) and add the appropriate suffix(es) to the Item No.

| Case colour | Suffix |
|-------------------------------|--------|
| metallic silver grey RAL 9006 | -05 |
| dark gun metal DB 703 | -06 |
| custom enamelled | -10 |

Type series

281



DCF77 radio controlled clocks

DCF77 radio controlled clocks will only function correctly within a radius of approx. 1,500 km around Mainflingen (50 km east of Frankfurt/M.) and under conditions of free radio propagation and may be impaired in heavily reinforced concrete structures. For this case we recommend a removable DCF77 aerial (option).

PEWETA DCFport24

PEWETA DCFport24 slave clocks require a PEWETA master clock (see from page 172 on).

PEWETA AirPort24

PEWETA AirPort24 slave clocks require an AirPort24 transmitter or repeater respectively (see page 177).

NTP

NTP system clocks require a PEWETA master clock (see from page 172 on) or an NTP time server (see page 179).

¹⁾NTP system clocks of "PoE" type require a PoE (Power over Ethernet) power supply. Appropriate hardware has to be supplied by customer.

Indoor Clocks

single face



Indoor
analog
single face

Type series

281



71.281.321 shown

Wall clocks with sturdy **metal cases** with shock-resistant front glasses. State-of-the-art, up-to-date, functional – totally reliable!



81.281.321

Telegram slave clock



Case

- cir. 275x275 mm
- cir. 325x325 mm
- cir. 425x425 mm

very sturdy metal case, enamelled white (RAL 9016). Optionally, at a surcharge, enamelled in metallic silver grey (RAL 9006), in dark gun metal (DB 703) or custom enamelled, as listed below.
Protection grade IP 40 (EN 60529).

Front glass

Flat shock-resistant Plexiglas® XT for outstandingly clear visibility.

Face

High distinction white metal with black DIN bar markings for easy, doubt-free reading even over longer distances. Face printed according to DIN 41 091.

Hands

Pointed black bar-type hour and minute hands, red second hand.
No second hand on minute pulse 12...60 V controlled slave clocks.



Indoor
analog
single face

Power outage reserve

DCF77 radio controlled clocks and AirPort24 slave clocks with a 230 VAC power supply of this type series provide continued operation for approx. 14 days in case of a mains power outage.

| Clock type | Face dimensions ▶ | 250 x 250 mm | | 300 x 300 mm | | 400 x 400 mm | |
|---|-------------------|--------------|--------|--------------|--------|--------------|--------|
| | | Item No. | € each | Item No. | € each | Item No. | € each |
| Quartz clock, battery operated 1.5 V | | 41.281.221 | 178.– | 41.281.321 | 180.– | 41.281.421 | 274.– |
| DCF77 radio controlled clock, battery operated 1.5 V | | 51.281.221 | 233.– | 51.281.321 | 235.– | 51.281.421 | 339.– |
| DCF77 radio controlled clock, mains operated 230 VAC, with outage reserve | | 52.281.221 | 313.– | 52.281.321 | 315.– | 52.281.421 | 419.– |
| Slave clock, minute pulse 12...60 V | | 71.281.221 | 193.– | 71.281.321 | 195.– | 71.281.421 | 279.– |
| Slave clock, minute/second pulse 12/24 V | | 72.281.221 | 418.– | 72.281.321 | 420.– | 72.281.421 | 504.– |
| Slave clock, minute/second pulse 12/24 V, extra low noise motion | | 73.281.221 | 558.– | 73.281.321 | 560.– | 73.281.421 | 644.– |
| Slave clock, minute pulse 12/24 V, synchronous second hand 230 VAC/50 Hz | | 74.281.221 | 603.– | 74.281.321 | 605.– | 74.281.421 | 689.– |
| Slave clock, second pulse 12/24 V, with creeping minute hand | | 75.281.221 | 578.– | 75.281.321 | 580.– | 75.281.421 | 664.– |
| Telegram slave clock, DCFport24 | | 81.281.221 | 218.– | 81.281.321 | 220.– | 81.281.421 | 314.– |
| RC telegram slave clock, AirPort24, battery operated 1.5 V | | 84.281.221 | 322.– | 84.281.321 | 324.– | 84.281.421 | 418.– |
| RC telegram slave clock, AirPort24, mains operated 230 VAC, with outage reserve | | 85.281.221 | 382.– | 85.281.321 | 384.– | 85.281.421 | 478.– |
| NTP system clock (NTP client), synchronisation by LAN, PoE ¹⁾ | | 91.281.221 | 367.– | 91.281.321 | 369.– | 91.281.421 | 463.– |

| Options | 250x250mm Suffix | Surcharge € each | 300x300mm Suffix | Surcharge € each | 400x400mm Suffix | Surcharge € each |
|---|------------------|------------------|------------------|------------------|------------------|------------------|
| Case enamelled in metallic silver grey RAL 9006 | -05 | 10.– | -05 | 10.– | -05 | 10.– |
| Case enamelled in metallic dark gun metal DB 703 | -06 | 10.– | -06 | 10.– | -06 | 10.– |
| Case custom enamelled | -10 | on request | -10 | on request | -10 | on request |
| External DCF77 receiving aerial (cannot be added later) | -60 | 169.– | -60 | 169.– | -60 | 169.– |

Options – just as you like them ...

These clocks are available optionally with customised features at the surcharges as listed. Just pick your option(s) and add the appropriate suffix(es) to the Item No.

| Case colour | Suffix |
|-------------------------------|--------|
| metallic silver grey RAL 9006 | -05 |
| dark gun metal DB 703 | -06 |
| custom enamelled | -10 |

Type series

281



DCF77 radio controlled clocks

DCF77 radio controlled clocks will only function correctly within a radius of approx. 1,500 km around Mainflingen (50 km east of Frankfurt/M.) and under conditions of free radio propagation and may be impaired in heavily reinforced concrete structures. For this case we recommend a removable DCF77 aerial (option).

PEWETA DCFport24

PEWETA DCFport24 slave clocks require a PEWETA master clock (see from page 172 on).

PEWETA AirPort24

PEWETA AirPort24 slave clocks require an AirPort24 transmitter or repeater respectively (see page 177).

NTP

NTP system clocks require a PEWETA master clock (see from page 172 on) or an NTP time server (see page 179).

¹⁾NTP system clocks of "PoE" type require a PoE (Power over Ethernet) power supply. Appropriate hardware has to be supplied by customer.

Indoor Clocks

single face



Indoor
analog
single face

Type series

281



81.281.331 shown

Wall clocks with sturdy **metal cases** with shock-resistant front glasses. State-of-the-art, up-to-date, functional – totally reliable!



71.281.331

Slave clock, minute pulse 12...60 V



Case

- cir. 275x275 mm
- cir. 325x325 mm
- cir. 425x425 mm

very sturdy metal case, enamelled white (RAL 9016). Optionally, at a surcharge, enamelled in metallic silver grey (RAL 9006), in dark gun metal (DB 703) or custom enamelled, as listed below.
Protection grade IP 40 (EN 60529).

Front glass

Flat shock-resistant Plexiglas® XT for outstandingly clear visibility.

Face

High distinction white metal with black fine-line markings for easy, doubt-free reading even over longer distances.
Face printed according to DIN 41 091.

Hands

Black bar-type hour and minute hands, red second hand.

No second hand on minute pulse 12...60 V controlled slave clocks.

Power outage reserve

DCF77 radio controlled clocks and AirPort24 slave clocks with a 230 VAC power supply of this type series provide continued operation for approx. 14 days in case of a mains power outage.

| Clock type | Face dimensions ▶ | 250 x 250 mm | | 300 x 300 mm | | 400 x 400 mm | |
|---|-------------------|--------------|--------|--------------|--------|--------------|--------|
| | | Item No. | € each | Item No. | € each | Item No. | € each |
| Quartz clock, battery operated 1.5 V | | 41.281.231 | 178.– | 41.281.331 | 180.– | 41.281.431 | 274.– |
| DCF77 radio controlled clock, battery operated 1.5 V | | 51.281.231 | 233.– | 51.281.331 | 235.– | 51.281.431 | 339.– |
| DCF77 radio controlled clock, mains operated 230 VAC, with outage reserve | | 52.281.231 | 313.– | 52.281.331 | 315.– | 52.281.431 | 419.– |
| Slave clock, minute pulse 12...60 V | | 71.281.231 | 193.– | 71.281.331 | 195.– | 71.281.431 | 279.– |
| Slave clock, minute/second pulse 12/24 V | | 72.281.231 | 418.– | 72.281.331 | 420.– | 72.281.431 | 504.– |
| Slave clock, minute/second pulse 12/24 V, extra low noise motion | | 73.281.231 | 558.– | 73.281.331 | 560.– | 73.281.431 | 644.– |
| Slave clock, minute pulse 12/24 V, synchronous second hand 230 VAC/50 Hz | | 74.281.231 | 603.– | 74.281.331 | 605.– | 74.281.431 | 689.– |
| Slave clock, second pulse 12/24 V, with creeping minute hand | | 75.281.231 | 578.– | 75.281.331 | 580.– | 75.281.431 | 664.– |
| Telegram slave clock, DCFport24 | | 81.281.231 | 218.– | 81.281.331 | 220.– | 81.281.431 | 314.– |
| RC telegram slave clock, AirPort24, battery operated 1.5 V | | 84.281.231 | 322.– | 84.281.331 | 324.– | 84.281.431 | 418.– |
| RC telegram slave clock, AirPort24, mains operated 230 VAC, with outage reserve | | 85.281.231 | 382.– | 85.281.331 | 384.– | 85.281.431 | 478.– |
| NTP system clock (NTP client), synchronisation by LAN, PoE ¹⁾ | | 91.281.231 | 367.– | 91.281.331 | 369.– | 91.281.431 | 463.– |

| Options | 250x250mm Suffix | Surcharge € each | 300x300mm Suffix | Surcharge € each | 400x400mm Suffix | Surcharge € each |
|---|------------------|------------------|------------------|------------------|------------------|------------------|
| Case enamelled in metallic silver grey RAL 9006 | -05 | 10.– | -05 | 10.– | -05 | 10.– |
| Case enamelled in metallic dark gun metal DB 703 | -06 | 10.– | -06 | 10.– | -06 | 10.– |
| Case custom enamelled | -10 | on request | -10 | on request | -10 | on request |
| External DCF77 receiving aerial (cannot be added later) | -60 | 169.– | -60 | 169.– | -60 | 169.– |

Options – just as you like them ...

These clocks are available optionally with customised features at the surcharges as listed. Just pick your option(s) and add the appropriate suffix(es) to the Item No.

| Case colour | Suffix |
|-------------------------------|--------|
| metallic silver grey RAL 9006 | -05 |
| dark gun metal DB 703 | -06 |
| custom enamelled | -10 |



Indoor analog single face

Type series

281



DCF77 radio controlled clocks

DCF77 radio controlled clocks will only function correctly within a radius of approx. 1,500 km around Mainflingen (50 km east of Frankfurt/M.) and under conditions of free radio propagation and may be impaired in heavily reinforced concrete structures. For this case we recommend a removable DCF77 aerial (option).

PEWETA DCFport24

PEWETA DCFport24 slave clocks require a PEWETA master clock (see from page 172 on).

PEWETA AirPort24

PEWETA AirPort24 slave clocks require an AirPort24 transmitter or repeater respectively (see page 177).

NTP

NTP system clocks require a PEWETA master clock (see from page 172 on) or an NTP time server (see page 179).

¹⁾NTP system clocks of "PoE" type require a PoE (Power over Ethernet) power supply. Appropriate hardware has to be supplied by customer.



Indoor Clocks

double face



Indoor
analog
double face

Type series
282



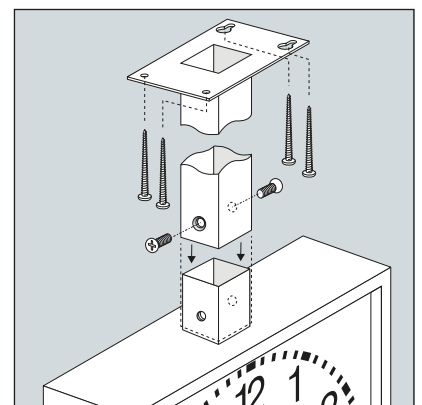
81.282.312 shown

Double face clocks for all places where time must be readable from either side. Robust metal, fit everywhere!



Suffix -37

Metal cover for wall or ceiling mounting brackets available as an option



Detachable ceiling mounting in any length desired (e.g. for suspension beneath a false ceiling), available as an option (Suffix -29)



Case

- cir. 285x285 mm
- cir. 335x335 mm
- cir. 435x435 mm

very sturdy metal case, enamelled white (RAL 9016). Optionally, at a surcharge, the case may be enamelled in metallic silver grey (RAL 9006), in dark gun metal (DB 703) or custom enamelled, as listed below.

As an option, a stainless steel case (1.4301 X5CrNi 18-10, German trade name V2A) is available in a matted finish.

Protection grade IP 40 (EN 60 529).

Mounting

Choice of very sturdy wall or ceiling mounting brackets, standard length cir. 150 mm. For custom lengths or custom mounting options see table below.

Front glasses

Flat, shock-resistant Plexiglas® XT for outstandingly clear visibility.

Faces

High distinction white metal with black Arabic numerals for easy, doubt-free reading even over longer distances. Faces printed according to DIN 41 091.

Hands

Black bar-type hour and minute hands, red second hands.

No second hands on DCF77 and AirPort24 radio controlled clocks and on minute pulse 12...60 V controlled slave clocks.

Double face clocks

Double face clocks come completely wired and pre-assembled. Just mount them and plug in – that's it!

Stainless steel V2A (option)

Due to its components stainless steel V2A is an alloy almost completely impervious to detergents and disinfectants and is therefore excellently suited for the use in the food and pharmaceutical industries, in kitchens, laboratories and other clean rooms. And it looks good into the bargain, as well!



Indoor analog double face

Type series

282



DCF77 radio controlled clocks

DCF77 radio controlled clocks of this type series will be supplied including a rotatable DCF77 aerial (IP 68). Thus, optimum reception quality can be achieved regardless of the final placement of the clock itself. However, DCF77 radio controlled clocks will only function correctly within a radius of approx. 1,500 km around Mainflingen (50 km east of Frankfurt/M.).

PEWETA DCFport24

PEWETA DCFport24 slave clocks require a PEWETA master clock (see from page 172 on).

PEWETA AirPort24

PEWETA AirPort24 slave clocks require an AirPort24 transmitter or repeater respectively (see page 177).

NTP

NTP system clocks require a PEWETA master clock (see from page 172 on) or an NTP time server (see page 179).

| ▼ Clock type | Face diameter ▶ Mounting ▼ | 250x250 mm | | 300x300 mm | | 400x400 mm | |
|---|-------------------------------|------------|---------|------------|---------|------------|---------|
| | | Item No. | € each | Item No. | € each | Item No. | € each |
| DCF77 radio controlled clock, battery operated 1.5 V ^{1) 2)} | wall | 51.282.212 | 675.– | 51.282.312 | 745.– | 51.282.412 | 825.– |
| | ceiling | 51.282.213 | 675.– | 51.282.313 | 745.– | 51.282.413 | 825.– |
| DCF77 radio controlled clock, mains operated 230 VAC ²⁾ | wall | 52.282.212 | 715.– | 52.282.312 | 785.– | 52.282.412 | 865.– |
| | ceiling | 52.282.213 | 715.– | 52.282.313 | 785.– | 52.282.413 | 865.– |
| Slave clock, minute pulse 12...60 V | wall | 71.282.212 | 419.– | 71.282.312 | 459.– | 71.282.412 | 539.– |
| | ceiling | 71.282.213 | 419.– | 71.282.313 | 459.– | 71.282.413 | 539.– |
| Slave clock, minute/second pulse 12/24 V | wall | 72.282.212 | 869.– | 72.282.312 | 909.– | 72.282.412 | 989.– |
| | ceiling | 72.282.213 | 869.– | 72.282.313 | 909.– | 72.282.413 | 989.– |
| Slave clock, minute pulse 12/24 V, synchronous second hand 230 VAC/50 Hz | wall | 74.282.212 | 1,239.– | 74.282.312 | 1,279.– | 74.282.412 | 1,359.– |
| | ceiling | 74.282.213 | 1,239.– | 74.282.313 | 1,279.– | 74.282.413 | 1,359.– |
| Slave clock, second pulse 12/24 V, with creeping minute hand | wall | 75.282.212 | 1,189.– | 75.282.312 | 1,229.– | 75.282.412 | 1,309.– |
| | ceiling | 75.282.213 | 1,189.– | 75.282.313 | 1,229.– | 75.282.413 | 1,309.– |
| Telegram slave clock, DCFport24 | wall | 81.282.212 | 465.– | 81.282.312 | 505.– | 81.282.412 | 585.– |
| | ceiling | 81.282.213 | 465.– | 81.282.313 | 505.– | 81.282.413 | 585.– |
| RC telegram slave clock, AirPort24, battery operated 1.5 V ¹⁾ | wall | 84.282.212 | 685.– | 84.282.312 | 725.– | 84.282.412 | 805.– |
| | ceiling | 84.282.213 | 685.– | 84.282.313 | 725.– | 84.282.413 | 805.– |
| RC telegram slave clock, AirPort24, mains operated 230 VAC, with outage reserve | wall | 85.282.212 | 725.– | 85.282.312 | 765.– | 85.282.412 | 845.– |
| | ceiling | 85.282.213 | 725.– | 85.282.313 | 765.– | 85.282.413 | 845.– |
| NTP system clock (NTP client), synchronisation by LAN, PoE ³⁾ | wall | 91.282.212 | 635.– | 91.282.312 | 675.– | 91.282.412 | 755.– |
| | ceiling | 91.282.213 | 635.– | 91.282.313 | 675.– | 91.282.413 | 755.– |

| Options | 250x250mm Suffix | Surcharge € each | 300x300mm Suffix | Surcharge € each | 400x400mm Suffix | Surcharge € each |
|---|------------------|------------------|------------------|------------------|------------------|------------------|
| Case enamelled in metallic silver grey RAL 9006 | -05 | 39.– | -05 | 45.– | -05 | 49.– |
| Case enamelled in metallic dark gun metal DB 703 | -06 | 39.– | -06 | 45.– | -06 | 49.– |
| Case custom enamelled | -10 | on request | -10 | on request | -10 | on request |
| Case stainless steel V2A, matted finish | -20 | on request | -20 | on request | -20 | on request |
| Detachable ceiling mounting (length acc. to customer's choice) | -29 | on request | -29 | on request | -29 | on request |
| Case with lugs for suspension by ropes or chains | -30 | on request | -30 | on request | -30 | on request |
| Metal cover for wall or ceiling mounting brackets | -37 | 39.– | -37 | 39.– | -37 | 39.– |
| Stainless steel cover V2A for wall or ceiling mounting brackets | -38 | 95.– | -38 | 95.– | -38 | 95.– |

Case colour

| | |
|---------------------------------|-----|
| ■ metallic silver grey RAL 9006 | -05 |
| ■ dark gun metal DB 703 | -06 |
| ■ custom enamelled | -10 |
| ■ stainless steel V2A | -20 |

¹⁾ Alkaline batteries are included in delivery shipment (medium lifespan: cir. 4 years).

²⁾ A rotatable DCF77 receiving aerial is included in delivery shipment.

³⁾ NTP system clocks of "PoE" type require a PoE (Power over Ethernet) power supply. Appropriate hardware has to be supplied by customer.

All prices are subject to change without notice, packing and shipping cost (see page 185) as well as VAT for deliveries within Germany added. Prices shown as of January 1st, 2024. If you have any questions or require additional information, please contact us, we will gladly give advice.



Indoor Clocks

double face



Indoor
analog
double face

Type series

282



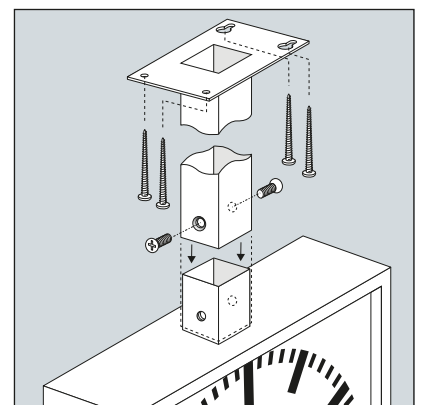
71.282.322 shown

Double face clocks for all places where time must be readable from either side. Robust metal, fit everywhere!



71.282.423 -30

Clock case with lugs (option) for suspension by metal ropes or chains



Detachable ceiling mounting in any length desired (e.g. for suspension beneath a false ceiling), available as an option (Suffix -29)



Case

- cir. 285x285 mm
- cir. 335x335 mm
- cir. 435x435 mm

very sturdy metal case, enamelled white (RAL 9016). Optionally, at a surcharge, the case may be enamelled in metallic silver grey (RAL 9006), in dark gun metal (DB 703) or custom enamelled, as listed below.

As an option, a stainless steel case (1.4301 X5CrNi 18-10, German trade name V2A) is available in a matted finish.

Protection grade IP 40 (EN 60 529).

Mounting

Choice of very sturdy wall or ceiling mounting brackets, standard length cir. 150 mm. For custom lengths or custom mounting options see table below.

Front glasses

Flat, shock-resistant Plexiglas® XT for outstandingly clear visibility.

Faces

High distinction white metal with black DIN bar markings for easy, doubt-free reading even over longer distances. Face printed according to DIN 41 091.

Hands

Pointed black bar-type hour and minute hands, red second hands.

No second hands on DCF77 and AirPort24 radio controlled clocks and on minute pulse 12...60 V controlled slave clocks.

Double face clocks

Double face clocks come completely wired and pre-assembled. Just mount them and plug in – that's it!

Stainless steel V2A (option)

Due to its components stainless steel V2A is an alloy almost completely impervious to detergents and disinfectants and is therefore excellently suited for the use in the food and pharmaceutical industries, in kitchens, laboratories and other clean rooms. And it looks good into the bargain, as well!



Indoor analog double face

Type series

282



DCF77 radio controlled clocks

DCF77 radio controlled clocks of this type series will be supplied including a rotatable DCF77 aerial (IP 68). Thus, optimum reception quality can be achieved regardless of the final placement of the clock itself. However, DCF77 radio controlled clocks will only function correctly within a radius of approx. 1,500 km around Mainflingen (50 km east of Frankfurt/M.).

PEWETA DCFport24

PEWETA DCFport24 slave clocks require a PEWETA master clock (see from page 172 on).

PEWETA AirPort24

PEWETA AirPort24 slave clocks require an AirPort24 transmitter or repeater respectively (see page 177).

NTP

NTP system clocks require a PEWETA master clock (see from page 172 on) or an NTP time server (see page 179).

| ▼ Clock type | Face diameter ▶ Mounting ▼ | 250x250 mm | | 300x300 mm | | 400x400 mm | |
|---|-------------------------------|------------|---------|------------|---------|------------|---------|
| | | Item No. | € each | Item No. | € each | Item No. | € each |
| DCF77 radio controlled clock, battery operated 1.5 V ¹⁾²⁾ | wall | 51.282.222 | 675.– | 51.282.322 | 745.– | 51.282.422 | 825.– |
| | ceiling | 51.282.223 | 675.– | 51.282.323 | 745.– | 51.282.423 | 825.– |
| DCF77 radio controlled clock, mains operated 230 VAC ²⁾ | wall | 52.282.222 | 715.– | 52.282.322 | 785.– | 52.282.422 | 865.– |
| | ceiling | 52.282.223 | 715.– | 52.282.323 | 785.– | 52.282.423 | 865.– |
| Slave clock, minute pulse 12...60 V | wall | 71.282.222 | 419.– | 71.282.322 | 459.– | 71.282.422 | 539.– |
| | ceiling | 71.282.223 | 419.– | 71.282.323 | 459.– | 71.282.423 | 539.– |
| Slave clock, minute/second pulse 12/24 V | wall | 72.282.222 | 869.– | 72.282.322 | 909.– | 72.282.422 | 989.– |
| | ceiling | 72.282.223 | 869.– | 72.282.323 | 909.– | 72.282.423 | 989.– |
| Slave clock, minute pulse 12/24 V, synchronous second hand 230 VAC/50 Hz | wall | 74.282.222 | 1,239.– | 74.282.322 | 1,279.– | 74.282.422 | 1,359.– |
| | ceiling | 74.282.223 | 1,239.– | 74.282.323 | 1,279.– | 74.282.423 | 1,359.– |
| Slave clock, second pulse 12/24 V, with creeping minute hand | wall | 75.282.222 | 1,189.– | 75.282.322 | 1,229.– | 75.282.422 | 1,309.– |
| | ceiling | 75.282.223 | 1,189.– | 75.282.323 | 1,229.– | 75.282.423 | 1,309.– |
| Telegram slave clock, DCFport24 | wall | 81.282.222 | 465.– | 81.282.322 | 505.– | 81.282.422 | 585.– |
| | ceiling | 81.282.223 | 465.– | 81.282.323 | 505.– | 81.282.423 | 585.– |
| RC telegram slave clock, AirPort24, battery operated 1.5 V ¹⁾ | wall | 84.282.222 | 685.– | 84.282.322 | 725.– | 84.282.422 | 805.– |
| | ceiling | 84.282.223 | 685.– | 84.282.323 | 725.– | 84.282.423 | 805.– |
| RC telegram slave clock, AirPort24, mains operated 230 VAC, with outage reserve | wall | 85.282.222 | 725.– | 85.282.322 | 765.– | 85.282.422 | 845.– |
| | ceiling | 85.282.223 | 725.– | 85.282.323 | 765.– | 85.282.423 | 845.– |
| NTP system clock (NTP client), synchronisation by LAN, PoE ³⁾ | wall | 91.282.222 | 635.– | 91.282.322 | 675.– | 91.282.422 | 755.– |
| | ceiling | 91.282.223 | 635.– | 91.282.323 | 675.– | 91.282.423 | 755.– |

| Options | 250x250mm Suffix | Surcharge € each | 300x300mm Suffix | Surcharge € each | 400x400mm Suffix | Surcharge € each |
|---|------------------|------------------|------------------|------------------|------------------|------------------|
| Case enamelled in metallic silver grey RAL 9006 | -05 | 39.– | -05 | 45.– | -05 | 49.– |
| Case enamelled in metallic dark gun metal DB 703 | -06 | 39.– | -06 | 45.– | -06 | 49.– |
| Case custom enamelled | -10 | on request | -10 | on request | -10 | on request |
| Case stainless steel V2A, matted finish | -20 | on request | -20 | on request | -20 | on request |
| Detachable ceiling mounting (length acc. to customer's choice) | -29 | on request | -29 | on request | -29 | on request |
| Case with lugs for suspension by ropes or chains | -30 | on request | -30 | on request | -30 | on request |
| Metal cover for wall or ceiling mounting brackets | -37 | 39.– | -37 | 39.– | -37 | 39.– |
| Stainless steel cover V2A for wall or ceiling mounting brackets | -38 | 95.– | -38 | 95.– | -38 | 95.– |

| Case colour | Suffix |
|---------------------------------|--------|
| ■ metallic silver grey RAL 9006 | -05 |
| ■ dark gun metal DB 703 | -06 |
| ■ custom enamelled | -10 |
| ■ stainless steel V2A | -20 |

¹⁾ Alkaline batteries are included in delivery shipment (medium lifespan: cir. 4 years).

²⁾ A rotatable DCF77 receiving aerial is included in delivery shipment.

³⁾ NTP system clocks of "PoE" type require a PoE (Power over Ethernet) power supply. Appropriate hardware has to be supplied by customer.

All prices are subject to change without notice, packing and shipping cost (see page 185) as well as VAT for deliveries within Germany added. Prices shown as of January 1st, 2024. If you have any questions or require additional information, please contact us, we will gladly give advice.



Indoor Clocks

double face



Indoor
analog
double face

Type series

282



81.282.332 shown

Double face clocks for all places where time must be readable from either side. Robust metal, fit everywhere!



Suffix -37

Metal cover for wall or ceiling mounting brackets available as an option



71.282.333 -30

Clock case with lugs (option) for suspension by metal ropes or chains



Case

- cir. 285x285 mm
- cir. 335x335 mm
- cir. 435x435 mm

very sturdy metal case, enamelled white (RAL 9016). Optionally, at a surcharge, the case may be enamelled in metallic silver grey (RAL 9006), in dark gun metal (DB 703) or custom enamelled, as listed below.

As an option, a stainless steel case (1.4301 X5CrNi 18-10, German trade name V2A) is available in a matted finish.

Protection grade IP 40 (EN 60 529).

Mounting

Choice of very sturdy wall or ceiling mounting brackets, standard length cir. 150 mm. For custom lengths or custom mounting options see table below.

Front glasses

Flat, shock-resistant Plexiglas® XT for outstandingly clear visibility.

Faces

High distinction white metal with black fine-line markings for easy, doubt-free reading even over longer distances.

Face printed according to DIN 41 091.

Hands

Black bar-type hour and minute hands, red second hands.

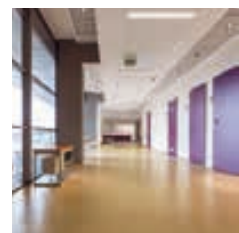
No second hands on DCF77 and AirPort24 radio controlled clocks and on minute pulse 12...60 V controlled slave clocks.

Double face clocks

Double face clocks come completely wired and pre-assembled. Just mount them and plug in – that's it!

Stainless steel V2A (option)

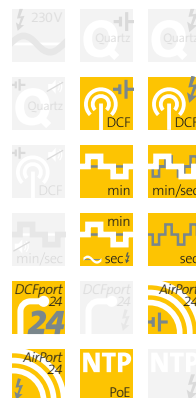
Due to its components stainless steel V2A is an alloy almost completely impervious to detergents and disinfectants and is therefore excellently suited for the use in the food and pharmaceutical industries, in kitchens, laboratories and other clean rooms. And it looks good into the bargain, as well!



Indoor analog double face

Type series

282



DCF77 radio controlled clocks

DCF77 radio controlled clocks of this type series will be supplied including a rotatable DCF77 aerial (IP 68). Thus, optimum reception quality can be achieved regardless of the final placement of the clock itself. However, DCF77 radio controlled clocks will only function correctly within a radius of approx. 1,500 km around Mainflingen (50 km east of Frankfurt/M.).

PEWETA DCFport24

PEWETA DCFport24 slave clocks require a PEWETA master clock (see from page 172 on).

PEWETA AirPort24

PEWETA AirPort24 slave clocks require an AirPort24 transmitter or repeater respectively (see page 177).

NTP

NTP system clocks require a PEWETA master clock (see from page 172 on) or an NTP time server (see page 179).

| ▼ Clock type | Face diameter ▶ Mounting ▼ | 250x250 mm | | 300x300 mm | | 400x400 mm | |
|---|-------------------------------|------------|---------|------------|---------|------------|---------|
| | | Item No. | € each | Item No. | € each | Item No. | € each |
| DCF77 radio controlled clock, battery operated 1.5 V ¹⁾²⁾ | wall | 51.282.232 | 675.– | 51.282.332 | 745.– | 51.282.432 | 825.– |
| | ceiling | 51.282.233 | 675.– | 51.282.333 | 745.– | 51.282.433 | 825.– |
| DCF77 radio controlled clock, mains operated 230 VAC ²⁾ | wall | 52.282.232 | 715.– | 52.282.332 | 785.– | 52.282.432 | 865.– |
| | ceiling | 52.282.233 | 715.– | 52.282.333 | 785.– | 52.282.433 | 865.– |
| Slave clock, minute pulse 12...60 V | wall | 71.282.232 | 419.– | 71.282.332 | 459.– | 71.282.432 | 539.– |
| | ceiling | 71.282.233 | 419.– | 71.282.333 | 459.– | 71.282.433 | 539.– |
| Slave clock, minute/second pulse 12/24 V | wall | 72.282.232 | 869.– | 72.282.332 | 909.– | 72.282.432 | 989.– |
| | ceiling | 72.282.233 | 869.– | 72.282.333 | 909.– | 72.282.433 | 989.– |
| Slave clock, minute pulse 12/24 V, synchronous second hand 230 VAC/50 Hz | wall | 74.282.232 | 1,239.– | 74.282.332 | 1,279.– | 74.282.432 | 1,359.– |
| | ceiling | 74.282.233 | 1,239.– | 74.282.333 | 1,279.– | 74.282.433 | 1,359.– |
| Slave clock, second pulse 12/24 V, with creeping minute hand | wall | 75.282.232 | 1,189.– | 75.282.332 | 1,229.– | 75.282.432 | 1,309.– |
| | ceiling | 75.282.233 | 1,189.– | 75.282.333 | 1,229.– | 75.282.433 | 1,309.– |
| Telegram slave clock, DCFport24 | wall | 81.282.232 | 465.– | 81.282.332 | 505.– | 81.282.432 | 585.– |
| | ceiling | 81.282.233 | 465.– | 81.282.333 | 505.– | 81.282.433 | 585.– |
| RC telegram slave clock, AirPort24, battery operated 1.5 V ¹⁾ | wall | 84.282.232 | 685.– | 84.282.332 | 725.– | 84.282.432 | 805.– |
| | ceiling | 84.282.233 | 685.– | 84.282.333 | 725.– | 84.282.433 | 805.– |
| RC telegram slave clock, AirPort24, mains operated 230 VAC, with outage reserve | wall | 85.282.232 | 725.– | 85.282.332 | 765.– | 85.282.432 | 845.– |
| | ceiling | 85.282.233 | 725.– | 85.282.333 | 765.– | 85.282.433 | 845.– |
| NTP system clock (NTP client), synchronisation by LAN, PoE ³⁾ | wall | 91.282.232 | 635.– | 91.282.332 | 675.– | 91.282.432 | 755.– |
| | ceiling | 91.282.233 | 635.– | 91.282.333 | 675.– | 91.282.433 | 755.– |

| Options | 250x250mm Suffix | Surcharge € each | 300x300mm Suffix | Surcharge € each | 400x400mm Suffix | Surcharge € each |
|---|------------------|------------------|------------------|------------------|------------------|------------------|
| Case enamelled in metallic silver grey RAL 9006 | -05 | 39.– | -05 | 45.– | -05 | 49.– |
| Case enamelled in metallic dark gun metal DB 703 | -06 | 39.– | -06 | 45.– | -06 | 49.– |
| Case custom enamelled | -10 | on request | -10 | on request | -10 | on request |
| Case stainless steel V2A, matted finish | -20 | on request | -20 | on request | -20 | on request |
| Detachable ceiling mounting (length acc. to customer's choice) | -29 | on request | -29 | on request | -29 | on request |
| Case with lugs for suspension by ropes or chains | -30 | on request | -30 | on request | -30 | on request |
| Metal cover for wall or ceiling mounting brackets | -37 | 39.– | -37 | 39.– | -37 | 39.– |
| Stainless steel cover V2A for wall or ceiling mounting brackets | -38 | 95.– | -38 | 95.– | -38 | 95.– |

| Case colour | Suffix |
|---------------------------------|--------|
| ■ metallic silver grey RAL 9006 | -05 |
| ■ dark gun metal DB 703 | -06 |
| ■ custom enamelled | -10 |
| ■ stainless steel V2A | -20 |

¹⁾ Alkaline batteries are included in delivery shipment (medium lifespan: cir. 4 years).

²⁾ A rotatable DCF77 receiving aerial is included in delivery shipment.

³⁾ NTP system clocks of "PoE" type require a PoE (Power over Ethernet) power supply. Appropriate hardware has to be supplied by customer.

All prices are subject to change without notice, packing and shipping cost (see page 185) as well as VAT for deliveries within Germany added. Prices shown as of January 1st, 2024. If you have any questions or require additional information, please contact us, we will gladly give advice.





Large space
analog
single face
double face
four faces

Clocks for Large Spaces

analog · single face, double face, four faces

Large rooms with high ceilings and large halls require large clocks that can be read free of doubt from long distances. Correct time at a single glance. You have our guarantee!



Clocks for Large Spaces

single face, indoor

Large spaces call for large clocks!
Exact time, clearly readable.

Case

■ cir. 500 mm diameter
very sturdy metal case, enamelled white (RAL 9016). Optionally, at a surcharge, enamelled in metallic silver grey (RAL 9006), in dark gun metal (DB 703) or custom enamelled, as listed below.
Protection grade IP 40 (EN 60 529).

Front glass

Domed shock-resistant Plexiglas® XT.
As an option, low reflectivity front glass is available.

Face

High distinction white metal with large black Arabic numerals or large black DIN bar markings for easy, doubt-free reading even over longer distances.

Face printed according to DIN 41 091.

Hands

Black bar-type hour and minute hands.

Red second hand on slave clocks with minute/second pulse (72.xxx) and on slave clocks with synchronous second hands (74.xxx) only.



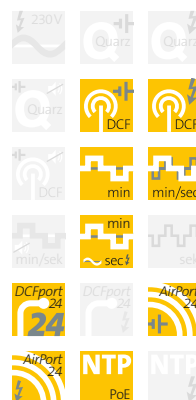
71.330.521 shown



Large space
analog
single face

Type series

330



| Clock type | Arabic numerals Item No. | € each | Bar markings Item No. | € each |
|---|-----------------------------|--------|--------------------------|--------|
| DCF77 radio controlled clock, battery op. 2 x 1,5 V ²⁾ | 51.330.511 | 750.- | 51.330.521 | 750.- |
| DCF77 radio controlled clock, mains operated 230 VAC, with outage reserve | 52.330.511 | 790.- | 52.330.521 | 790.- |
| Slave clock, minute pulse 12...60 V | 71.330.511 | 475.- | 71.330.521 | 475.- |
| Slave clock, minute/second pulse 12/24 V | 72.330.511 | 700.- | 72.330.521 | 700.- |
| Slave clock, minute pulse 12/24 V, synchronous second hand 230 VAC/50 Hz | 74.330.511 | 885.- | 74.330.521 | 885.- |
| Telegram slave clock, DCFport24, 24 V | 81.330.511 | 559.- | 81.330.521 | 559.- |
| RC telegram slave clock, AirPort24, battery op. 1.5 V ¹⁾ | 84.330.511 | 684.- | 84.330.521 | 684.- |
| RC telegram slave clock, AirPort24, mains operated 230 VAC, with outage reserve | 85.330.511 | 724.- | 85.330.521 | 724.- |
| NTP system clock (NTP client), synch. by LAN, PoE ³⁾ | 91.330.511 | 789.- | 91.330.521 | 789.- |

| Options | Suffix | Surcharge € each | Suffix | Surcharge € each |
|--|--------|---------------------|--------|---------------------|
| Case enamelled in metallic silver grey RAL 9006 | -05 | 49.- | -05 | 49.- |
| Case enamelled in metallic dark gun metal DB 703 | -06 | 49.- | -06 | 49.- |
| Case custom enamelled | -10 | on request | -10 | on request |
| Low reflectivity front glass | -50 | on request | -50 | on request |

| Case colour | Suffix |
|---------------------------------|--------|
| ■ metallic silver grey RAL 9006 | -05 |
| ■ dark gun metal DB 703 | -06 |
| ■ custom enamelled | -10 |

DCF77 radio controlled clocks

DCF77 radio controlled clocks of this type series will be supplied including a remotable DCF77 aerial (IP 68). Thus, optimum reception quality can be achieved regardless of the final placement of the clock itself. However, DCF77 radio controlled clocks will only function correctly within a radius of approx. 1,500 km around Mainflingen (50 km east of Frankfurt/M.).

PEWETA DCFport24

PEWETA DCFport24 slave clocks require a PEWETA master clock (see from page 172 on).

PEWETA AirPort24

PEWETA AirPort24 slave clocks require an AirPort24 transmitter or repeater respectively (see page 177).

NTP

NTP system clocks require a PEWETA master clock (see from page 172 on) or an NTP time server (see page 179).



81.330.511

¹⁾ Alkaline batteries are included in delivery shipment (medium lifespan: cir. 4 years).

²⁾ A remotable DCF77 receiving aerial is included in delivery shipment.

³⁾ NTP system clocks of "PoE" type require a PoE (Power over Ethernet) power supply. Appropriate hardware has to be supplied by customer.

Clocks for Large Spaces

double face, indoor



Large space
analog
double face

Type series

332



71.332.522 shown

Double face indoor clocks in an extremely sturdy version – **solid, industrial grade metal cases** with sturdy wall brackets or suspended from the ceiling, shock-resistant Plexiglas® XT front glasses. The best decision for a reliable and durable product!



52.332.513

▲ Ceiling mount double bracket design, optionally available in custom length



81.332.514

▶ Tube version for suspension from the ceiling, tube optionally available in custom length



Case

■ cir. 500 mm diameter, very sturdy metal case, enamelled white (RAL 9016). Optionally, at a surcharge, enamelled in metallic silver grey (RAL 9006), in dark gun metal (DB 703) or custom enamelled, as listed below.

Protection grade IP 40 (EN 60529).

Mounting

Choice of double bracket wall or ceiling mounting, standard bracket length cir. 210 mm, or sturdy metal tube suspension from the ceiling, tube length cir. 500 mm.

Rim and mounting fixtures enamelled metallic dark gun metal (DB 703).

Front glasses

Domed shock-resistant Plexiglas® XT. As an option, low reflectivity front glasses are available.

Faces

High distinction white metal with large black Arabic numerals or large black DIN bar markings for easy, doubt-free reading even over longer distances.

Faces printed according to DIN 41 091.

Hands

Black bar-type hour and minute hands.

Red second hands on slave clocks with minute/second pulse (72.xxx) and on slave clocks with synchronous second hands (74.xxx) only.

Double face clocks

Double face clocks come completely wired and pre-assembled.

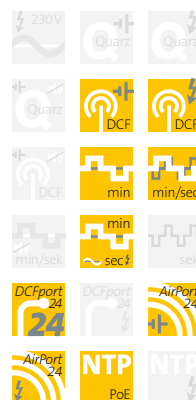
Just mount them and plug in – that's it!



Large space analog double face

Type series

332



DCF77 radio controlled clocks

DCF77 radio controlled clocks of this type series will be supplied including a remotable DCF77 aerial (IP 68). Thus, optimum reception quality can be achieved regardless of the final placement of the clock itself. However, DCF77 radio controlled clocks will only function correctly within a radius of approx. 1,500 km around Mainflingen (50 km east of Frankfurt/M.).

PEWETA DCFport24

PEWETA DCFport24 slave clocks require a PEWETA master clock (see from page 172 on).

PEWETA AirPort24

PEWETA AirPort24 slave clocks require an AirPort24 transmitter or repeater respectively (see page 177).

NTP

NTP system clocks require a PEWETA master clock (see from page 172 on) or an NTP time server (see page 179).

| Clock type | | Arabic numerals | | Bar markings | |
|---|---------|-----------------|---------|--------------|---------|
| | | Item No. | € each | Item No. | € each |
| DCF77 radio controlled clock, battery operated 2 x 1.5 V ^{1) 2)} | wall | 51.332.512 | 1,495.– | 51.332.522 | 1,495.– |
| | ceiling | 51.332.513 | 1,495.– | 51.332.523 | 1,495.– |
| | tube | 51.332.514 | 1,495.– | 51.332.524 | 1,495.– |
| DCF77 radio controlled clock, mains operated 230 VAC ²⁾ | wall | 52.332.512 | 1,535.– | 52.332.522 | 1,535.– |
| | ceiling | 52.332.513 | 1,535.– | 52.332.523 | 1,535.– |
| | tube | 52.332.514 | 1,535.– | 52.332.524 | 1,535.– |
| Slave clock, minute pulse 12...60 V | wall | 71.332.512 | 1,159.– | 71.332.522 | 1,159.– |
| | ceiling | 71.332.513 | 1,159.– | 71.332.523 | 1,159.– |
| | tube | 71.332.514 | 1,159.– | 71.332.524 | 1,159.– |
| Slave clock, minute/second pulse 12/24 V | wall | 72.332.512 | 1,609.– | 72.332.522 | 1,609.– |
| | ceiling | 72.332.513 | 1,609.– | 72.332.523 | 1,609.– |
| | tube | 72.332.514 | 1,609.– | 72.332.524 | 1,609.– |
| Slave clock, minute/second pulse 12/24 V, extra low noise motion | wall | 74.332.512 | 1,979.– | 74.332.522 | 1,979.– |
| | ceiling | 74.332.513 | 1,979.– | 74.332.523 | 1,979.– |
| | tube | 74.332.514 | 1,979.– | 74.332.524 | 1,979.– |
| Telegram slave clock, DCFport24, 24 V | wall | 81.332.512 | 1,275.– | 81.332.522 | 1,275.– |
| | ceiling | 81.332.513 | 1,275.– | 81.332.523 | 1,275.– |
| | tube | 81.332.514 | 1,275.– | 81.332.524 | 1,275.– |
| RC telegram slave clock, AirPort24, battery operated 2 x 1,5 V ¹⁾ | wall | 84.332.512 | 1,425.– | 84.332.522 | 1,425.– |
| | ceiling | 84.332.513 | 1,425.– | 84.332.523 | 1,425.– |
| | tube | 84.332.514 | 1,425.– | 84.332.524 | 1,425.– |
| RC telegram slave clock, AirPort24, mains operated 230 VAC, with outage reserve | wall | 85.332.512 | 1,465.– | 85.332.522 | 1,465.– |
| | ceiling | 85.332.513 | 1,465.– | 85.332.523 | 1,465.– |
| | tube | 85.332.514 | 1,465.– | 85.332.524 | 1,465.– |
| NTP system clock (NTP client), synchronisation by LAN, PoE ³⁾ | wall | 91.332.512 | 1,505.– | 91.332.522 | 1,505.– |
| | ceiling | 91.332.513 | 1,505.– | 91.332.523 | 1,505.– |
| | tube | 91.332.514 | 1,505.– | 91.332.524 | 1,505.– |

| Options | Suffix | Surcharge | |
|---|--------|------------|------------|
| | | € each | € each |
| Case enamelled in metallic silver grey RAL 9006 | -05 | 79.– | 79.– |
| Case enamelled in metallic dark gun metal DB 703 | -06 | 79.– | 79.– |
| Case custom enamelled | -10 | on request | on request |
| Case fitted with lugs for suspension by ropes or chains | -30 | none | none |
| Custom length mounting brackets | -31 | on request | on request |
| Low reflectivity front glasses | -51 | on request | on request |

| Case colour | Suffix |
|-------------------------------|--------|
| metallic silver grey RAL 9006 | -05 |
| dark gun metal DB 703 | -06 |
| custom enamelled | -10 |

¹⁾ Alkaline batteries are included in delivery shipment (medium lifespan: cir. 4 years).

²⁾ A remotable DCF77 receiving aerial is included in delivery shipment.

³⁾ NTP system clocks of "PoE" type require a PoE (Power over Ethernet) power supply. Appropriate hardware has to be supplied by customer.

All prices are subject to change without notice, packing and shipping cost (see page 185) as well as VAT for deliveries within Germany added. Prices shown as of January 1st, 2024. If you have any questions or require additional information, please contact us, we will gladly give advice.



Clocks for Large Spaces

single face, indoor



Large space
analog
single face

Type series

350



Also available
"resistant
to thrown balls"

71.350.511 shown

Large spaces call for large clocks!
Extremely sturdy clocks with
solid, industrial grade metal cases. Doubt-free reading of the exact time from afar – at any time.

Also available in a version resistant to thrown balls, according to DIN 18032, part 3.



52.350.511-06

▲ Case enamelled dark gun metal (DB703) as an option

Outdoor clocks resistant to thrown balls

see pages 150 and 151.



Case

- cir. 446 mm diameter
- cir. 546 mm diameter
- cir. 646 mm diameter

very sturdy metal case, enamelled metallic silver grey (RAL 9006) or, as an option, enamelled in dark gun metal (DB 703) or custom enamelled, as listed below.
Protection grade IP 40 (EN 60 529).

Resistance to thrown balls acc. to DIN 18032, part 3 (option)

Clocks of this type series are also available resistant to thrown balls and thus suitable for gymnasiums and other sporting facilities. Very sturdy case with three-point mounting as a safeguard, proof against wrenching off the hook. Front glass is a 2-layer laminated safety glass, 6 mm thick. The clocks are certified and labelled

"resistant to thrown balls according to DIN 18032, part 3".

Front glass

Flat shock-resistant Plexiglas® XT (PMMA) as standard.

Packaging (option)

As an option, clockwork packaged to protect it against blown dust and/or sprayed water (IP 54 according to EN 60 529) is available.

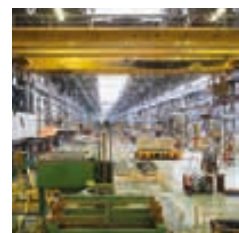
Face

High distinction white metal with large black Arabic numerals for easy, doubt-free reading even over longer distances. Visible face diameter 420 mm, 520 mm and 620 mm respectively. Face printed according to DIN 41 091.

Hands

Pointed black bar-type hour and minute hands according to DIN 41 092.

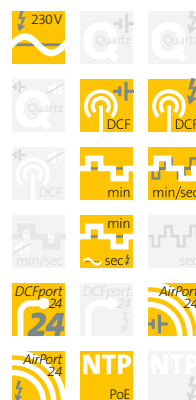
Red second hand on synchronous clocks (21.xxx), on minute/second pulse clocks (72.xxx) and on clocks with synchronous second hands (74.xxx) only.



Large space analog single face

Type series

350



DCF77 radio controlled clocks

DCF77 radio controlled clocks of this type series will be supplied including a removable DCF77 aerial (IP 68). Thus, optimum reception quality can be achieved regardless of the final placement of the clock itself. However, DCF77 radio controlled clocks will only function correctly within a radius of approx. 1,500 km around Mainflingen (50 km east of Frankfurt/M.).

PEWETA DCFport24
PEWETA DCFport24 slave clocks require a PEWETA master clock (see from page 172 on).

PEWETA AirPort24
PEWETA AirPort24 slave clocks require an AirPort24 transmitter or repeater respectively (see page 177).

NTP
NTP system clocks require a PEWETA master clock (see from page 172 on) or an NTP time server (see page 179).

| Clock type | Face diameter ▶ | | 520 mm | | 620 mm | |
|---|-----------------|--------|------------|---------|------------|---------|
| | 420 mm | € each | Item No. | € each | Item No. | € each |
| Synchronous clock, mains operated 230 VAC/50 Hz | 21.350.411 | 535.– | 21.350.511 | 655.– | 21.350.611 | 770.– |
| DCF77 radio controlled clock, battery operated 2 x 1.5 V ¹⁾ 2) | 51.350.411 | 830.– | 51.350.511 | 949.– | 51.350.611 | 1,125.– |
| DCF77 radio controlled clock, mains operated 230 VAC ²⁾ | 52.350.411 | 870.– | 52.350.511 | 989.– | 52.350.611 | 1,165.– |
| Slave clock, minute pulse 12...60 V | 71.350.411 | 499.– | 71.350.511 | 619.– | 71.350.611 | 734.– |
| Slave clock, minute/second pulse 12/24 V | 72.350.411 | 724.– | 72.350.511 | 844.– | 72.350.611 | 959.– |
| Slave clock, minute pulse 12/24 V, synchronous second hand 230 VAC/50 Hz | 74.350.411 | 909.– | 74.350.511 | 1,029.– | 74.350.611 | 1,144.– |
| Telegram slave clock, DCFport24, 24 V | 81.350.411 | 589.– | 81.350.511 | 709.– | 81.350.611 | 824.– |
| RC telegram slave clock, AirPort24, battery operated 2 x 1,5 V ¹⁾ | 84.350.411 | 714.– | 84.350.511 | 834.– | 84.350.611 | 949.– |
| RC telegram slave clock, AirPort24, mains operated 230 VAC, with outage reserve | 85.350.411 | 754.– | 85.350.511 | 874.– | 85.350.611 | 989.– |
| NTP system clock (NTP client), synchronisation by LAN, PoE ³⁾ | 91.350.411 | 819.– | 91.350.511 | 939.– | 91.350.611 | 1,054.– |

| Options | 420 mm Suffix | Surcharge € each | 520 mm Suffix | Surcharge € each | 620 mm Suffix | Surcharge € each |
|--|---------------|------------------|---------------|------------------|---------------|------------------|
| Case enamelled in metallic dark gun metal DB 703 | -06 | none | -06 | none | -06 | none |
| Case custom enamelled | -10 | on request | -10 | on request | -10 | on request |
| Packaging against dust and spray (IP 54) | -54 | 80.– | -54 | 80.– | -54 | 80.– |
| Resistance to thrown balls acc. to DIN 18032, part 3 | -59 | 179.– | -59 | 179.– | -59 | 179.– |

Options – just as you like them ...

These clocks are available optionally with customised features at the surcharges as listed. Just pick your option(s) and add the appropriate suffix(es) to the Item No.

| Case colour | Suffix |
|-------------------------|--------|
| ■ dark gun metal DB 703 | -06 |
| ■ custom enamelled | -10 |

¹⁾ Alkaline batteries are included in delivery shipment (medium lifespan: cir. 4 years).

²⁾ A removable DCF77 receiving aerial is included in delivery shipment.

³⁾ NTP system clocks of "PoE" type require a PoE (Power over Ethernet) power supply. Appropriate hardware has to be supplied by customer.

All prices are subject to change without notice, packing and shipping cost (see page 185) as well as VAT for deliveries within Germany added. Prices shown as of January 1st, 2024. If you have any questions or require additional information, please contact us, we will gladly give advice.

Outdoor clocks resistant to thrown balls

see pages 150 and 151.



Clocks for Large Spaces

single face, indoor



Large space
analog
single face

Type series

350



Also available
“resistant
to thrown balls”



71.350.521 shown

Large spaces call for large clocks!
Extremely sturdy clocks with
**solid, industrial grade metal
cases.** Doubt-free reading of the
exact time from afar – at any
time.

Also available in a version resist-
ant to thrown balls, according to
DIN 18032, part 3.



52.350.521-06

▲ Case enamelled dark gun metal (DB703) as
an option

**Outdoor clocks
resistant to
thrown balls**

see pages
150 and 151.



Case

- cir. 446 mm diameter
- cir. 546 mm diameter
- cir. 646 mm diameter

very sturdy metal case, enamelled metallic silver grey (RAL 9006) or, as an option, enamelled in dark gun metal (DB 703) or custom enamelled, as listed below.
Protection grade IP 40 (EN 60 529).

Resistance to thrown balls acc. to DIN 18032, part 3 (option)

Clocks of this type series are also available resistant to thrown balls and thus suitable for gymnasiums and other sporting facilities. Very sturdy case with three-point mounting as a safeguard, proof against wrenching off the hook. Front glass is a 2-layer laminated safety glass, 6 mm thick. The clocks are certified and labelled

"resistant to thrown balls according to DIN 18032, part 3".

Front glass

Flat shock-resistant Plexiglas® XT (PMMA) as standard.

Packaging (option)

As an option, clockwork packaged to protect it against blown dust and/or sprayed water (IP 54 according to EN 60 529) is available.

Face

High distinction white metal with large black DIN bar markings for easy, doubt-free reading even over longer distances. Visible face diameter 420 mm, 520 mm and 620 mm respectively. Face printed according to DIN 41 091.

Hands

Pointed black bar-type hour and minute hands according to DIN 41 092.

Red second hand on synchronous clocks (21.xxx), on minute/second pulse clocks (72.xxx) and on clocks with synchronous second hands (74.xxx) only.



Large space analog single face

Type series

350



DCF77 radio controlled clocks

DCF77 radio controlled clocks of this type series will be supplied including a rotatable DCF77 aerial (IP 68). Thus, optimum reception quality can be achieved regardless of the final placement of the clock itself. However, DCF77 radio controlled clocks will only function correctly within a radius of approx. 1,500 km around Mainflingen (50 km east of Frankfurt/M.).

PEWETA DCFport24
PEWETA DCFport24 slave clocks require a PEWETA master clock (see from page 172 on).

PEWETA AirPort24
PEWETA AirPort24 slave clocks require an AirPort24 transmitter or repeater respectively (see page 177).

NTP
NTP system clocks require a PEWETA master clock (see from page 172 on) or an NTP time server (see page 179).

| Clock type | Face diameter ▶ 420 mm | | 520 mm | | 620 mm | |
|---|------------------------|--------|------------|---------|------------|---------|
| | Item No. | € each | Item No. | € each | Item No. | € each |
| Synchronous clock, mains operated 230 VAC/50 Hz | 21.350.421 | 535.– | 21.350.521 | 655.– | 21.350.621 | 770.– |
| DCF77 radio controlled clock, battery operated 2 x 1.5 V ¹⁾ 2) | 51.350.421 | 830.– | 51.350.521 | 949.– | 51.350.621 | 1,125.– |
| DCF77 radio controlled clock, mains operated 230 VAC ²⁾ | 52.350.421 | 870.– | 52.350.521 | 989.– | 52.350.621 | 1,165.– |
| Slave clock, minute pulse 12...60 V | 71.350.421 | 499.– | 71.350.521 | 619.– | 71.350.621 | 734.– |
| Slave clock, minute/second pulse 12/24 V | 72.350.421 | 724.– | 72.350.521 | 844.– | 72.350.621 | 959.– |
| Slave clock, minute pulse 12/24 V, synchronous second hand 230 VAC/50 Hz | 74.350.421 | 909.– | 74.350.521 | 1,029.– | 74.350.621 | 1,144.– |
| Telegram slave clock, DCFport24, 24 V | 81.350.421 | 589.– | 81.350.521 | 709.– | 81.350.621 | 824.– |
| RC telegram slave clock, AirPort24, battery operated 2 x 1,5 V ¹⁾ | 84.350.421 | 714.– | 84.350.521 | 834.– | 84.350.621 | 949.– |
| RC telegram slave clock, AirPort24, mains operated 230 VAC, with outage reserve | 85.350.421 | 754.– | 85.350.521 | 874.– | 85.350.621 | 989.– |
| NTP system clock (NTP client), synchronisation by LAN, PoE ³⁾ | 91.350.421 | 819.– | 91.350.521 | 939.– | 91.350.621 | 1,054.– |

| Options | 420 mm Suffix | Surcharge € each | 520 mm Suffix | Surcharge € each | 620 mm Suffix | Surcharge € each |
|--|---------------|------------------|---------------|------------------|---------------|------------------|
| Case enamelled in metallic dark gun metal DB 703 | -06 | none | -06 | none | -06 | none |
| Case custom enamelled | -10 | on request | -10 | on request | -10 | on request |
| Packaging against dust and spray (IP 54) | -54 | 80.– | -54 | 80.– | -54 | 80.– |
| Resistance to thrown balls acc. to DIN 18032, part 3 | -59 | 179.– | -59 | 179.– | -59 | 179.– |

Options – just as you like them ...

These clocks are available optionally with customised features at the surcharges as listed. Just pick your option(s) and add the appropriate suffix(es) to the Item No.

| Case colour | Suffix |
|-------------------------|--------|
| ■ dark gun metal DB 703 | -06 |
| ■ custom enamelled | -10 |

¹⁾ Alkaline batteries are included in delivery shipment (medium lifespan: cir. 4 years).

²⁾ A rotatable DCF77 receiving aerial is included in delivery shipment.

³⁾ NTP system clocks of "PoE" type require a PoE (Power over Ethernet) power supply. Appropriate hardware has to be supplied by customer.

All prices are subject to change without notice, packing and shipping cost (see page 185) as well as VAT for deliveries within Germany added. Prices shown as of January 1st, 2024. If you have any questions or require additional information, please contact us, we will gladly give advice.

Outdoor clocks resistant to thrown balls

see pages 150 and 151.



Clocks for Large Spaces

double face, indoor



Large space
analog
double face

Type series
352



71.352.512 shown

Large spaces call for large clocks!
Extremely sturdy clocks with **solid, industrial grade metal cases**. Doubt-free reading of the exact time from afar – at any time.



81.352.513-06

▲ Ceiling mount double bracket design and case enamelled in metallic dark gun metal (DB703) as an option



91.352.614

Tube version for suspension from the ceiling ▶



Case

- cir. 446 mm diameter
- cir. 546 mm diameter
- cir. 646 mm diameter

very sturdy metal case, enamelled metallic silver grey (RAL 9006) or, as an option, enamelled in dark gun metal (DB 703) or custom enamelled, as listed below.
Protection grade IP 40 (EN 60 529).

Mounting

Choice of double bracket wall or ceiling mounting, standard bracket length cir. 210 mm, or sturdy metal tube suspension from the ceiling, tube length cir. 1000 mm. On request, custom length available optionally.
As an option, available with lugs for suspension by ropes or chains.

Front glasses

Flat shock-resistant Plexiglas® XT (PMMA).

Packaging (option)

As an option, clockwork packaged to protect it against blown dust and/or sprayed water (IP 54 according to EN 60 529) is available.

Faces

High distinction white metal with large black Arabic numerals for easy, doubt-free reading even over longer distances. Visible face diameter 420 mm, 520 mm and 620 mm respectively. Faces printed according to DIN 41 091.

Hands

Pointed black bar-type hour and minute hands according to DIN 41 092

Red second hands on minute/second pulse clocks (72.xxx) and on clocks with synchronous second hands (74.xxx) only



Large space analog double face

Double face clocks

Double face clocks come completely wired and pre-assembled.
Just mount them and plug in – that's it!

| Clock type | Face diameter ▶ | 420 mm | | 520 mm | | 620 mm | |
|---|-----------------|------------------|---------------|------------------|---------------|------------------|---------|
| | | Item No. | € each | Item No. | € each | Item No. | € each |
| DCF77 radio controlled clock, battery operated 2 x 1.5 V ¹⁾ 2) | wall | 51.352.412 | 1,544.– | 51.352.512 | 1,695.– | 51.352.612 | 1,899.– |
| | ceiling | 51.352.413 | 1,544.– | 51.352.513 | 1,695.– | 51.352.613 | 1,899.– |
| | tube | 51.352.414 | 1,644.– | 51.352.514 | 1,795.– | 51.352.614 | 1,999.– |
| DCF77 radio controlled clock, mains operated 230 VAC ²⁾ | wall | 52.352.412 | 1,584.– | 52.352.512 | 1,735.– | 52.352.612 | 1,939.– |
| | ceiling | 52.352.413 | 1,584.– | 52.352.513 | 1,735.– | 52.352.613 | 1,939.– |
| | tube | 52.352.414 | 1,684.– | 52.352.514 | 1,835.– | 52.352.614 | 2,039.– |
| Slave clock, minute pulse 12...60 V | wall | 71.352.412 | 1,195.– | 71.352.512 | 1,345.– | 71.352.612 | 1,545.– |
| | ceiling | 71.352.413 | 1,195.– | 71.352.513 | 1,345.– | 71.352.613 | 1,545.– |
| | tube | 71.352.414 | 1,295.– | 71.352.514 | 1,445.– | 71.352.614 | 1,645.– |
| Slave clock, minute/second pulse 12/24 V | wall | 72.352.412 | 1,645.– | 72.352.512 | 1,795.– | 72.352.612 | 1,995.– |
| | ceiling | 72.352.413 | 1,645.– | 72.352.513 | 1,795.– | 72.352.613 | 1,995.– |
| | tube | 72.352.414 | 1,745.– | 72.352.514 | 1,895.– | 72.352.614 | 2,095.– |
| Slave clock, minute pulse 12/24 V, synchronous second hand 230 VAC/50 Hz | wall | 74.352.412 | 2,015.– | 74.352.512 | 2,165.– | 74.352.612 | 2,365.– |
| | ceiling | 74.352.413 | 2,015.– | 74.352.513 | 2,165.– | 74.352.613 | 2,365.– |
| | tube | 74.352.414 | 2,115.– | 74.352.514 | 2,265.– | 74.352.614 | 2,465.– |
| Telegram slave clock, DCFport24, 24 V | wall | 81.352.412 | 1,309.– | 81.352.512 | 1,459.– | 81.352.612 | 1,660.– |
| | ceiling | 81.352.413 | 1,309.– | 81.352.513 | 1,459.– | 81.352.613 | 1,660.– |
| | tube | 81.352.414 | 1,409.– | 81.352.514 | 1,559.– | 81.352.614 | 1,760.– |
| RC telegram slave clock, AirPort24, battery operated 2 x 1,5 V ¹⁾ | wall | 84.352.412 | 1,459.– | 84.352.512 | 1,609.– | 84.352.612 | 1,810.– |
| | ceiling | 84.352.413 | 1,459.– | 84.352.513 | 1,609.– | 84.352.613 | 1,810.– |
| | tube | 84.352.414 | 1,559.– | 84.352.514 | 1,709.– | 84.352.614 | 1,910.– |
| RC telegram slave clock, AirPort24, mains operated 230 VAC, with outage reserve | wall | 85.352.412 | 1,499.– | 85.352.512 | 1,649.– | 85.352.612 | 1,850.– |
| | ceiling | 85.352.413 | 1,499.– | 85.352.513 | 1,649.– | 85.352.613 | 1,850.– |
| | tube | 85.352.414 | 1,599.– | 85.352.514 | 1,749.– | 85.352.614 | 1,950.– |
| NTP system clock (NTP client), synchronisation by LAN, PoE ³⁾ | wall | 91.352.412 | 1,539.– | 91.352.512 | 1,689.– | 91.352.612 | 1,890.– |
| | ceiling | 91.352.413 | 1,539.– | 91.352.513 | 1,689.– | 91.352.613 | 1,890.– |
| | tube | 91.352.414 | 1,639.– | 91.352.514 | 1,789.– | 91.352.614 | 1,990.– |
| Options | 420 mm Suffix | Surcharge € each | 520 mm Suffix | Surcharge € each | 620 mm Suffix | Surcharge € each | |
| Case enamelled in metallic dark gun metal DB 703 | -06 | none | -06 | none | -06 | none | |
| Case custom enamelled | -10 | on request | -10 | on request | -10 | on request | |
| Case with lugs for suspension by ropes or chains | -30 | none | -30 | none | -30 | none | |
| Custom length mounting fixture | -31 | on request | -31 | on request | -31 | on request | |
| Packaging against dust and spray (IP 54) | -54 | 150.– | -54 | 150.– | -54 | 150.– | |

Type series

352



DCF77 radio controlled clocks

DCF77 radio controlled clocks of this type series will be supplied including a rotatable DCF77 aerial (IP 68). Thus, optimum reception quality can be achieved regardless of the final placement of the clock itself. However, DCF77 radio controlled clocks will only function correctly within a radius of approx. 1,500 km around Mainflingen (50 km east of Frankfurt/M.).

PEWETA DCFport24

PEWETA DCFport24 slave clocks require a PEWETA master clock (see from page 172 on).

PEWETA AirPort24

PEWETA AirPort24 slave clocks require an AirPort24 transmitter or repeater respectively (see page 177).

NTP

NTP system clocks require a PEWETA master clock (see from page 172 on) or an NTP time server (see page 179).

¹⁾ Alkaline batteries are included in delivery shipment (medium lifespan: cir. 4 years).

²⁾ A rotatable DCF77 receiving aerial is included in delivery shipment.

³⁾ NTP system clocks of "PoE" type require a PoE (Power over Ethernet) power supply. Appropriate hardware has to be supplied by customer.

Clocks for Large Spaces

double face, indoor



Large space
analog
double face

Type series

352



71.352.522 shown

Large spaces call for large clocks!
Extremely sturdy clocks with
solid, industrial grade metal cases. Doubt-free reading of the exact time from afar – at any time.



52.352.523 -06

▲ Ceiling mount double bracket design and case enamelled in metallic dark gun metal (DB703) as an option



91.352.624

Tube version for suspension from the ceiling ▶



Case

- cir. 446 mm diameter
- cir. 546 mm diameter
- cir. 646 mm diameter

very sturdy metal case, enamelled metallic silver grey (RAL 9006) or, as an option, enamelled in dark gun metal (DB 703) or custom enamelled, as listed below.
Protection grade IP 40 (EN 60 529).

Mounting

Choice of double bracket wall or ceiling mounting, standard bracket length cir. 210 mm, or sturdy metal tube suspension from the ceiling, tube length cir. 1000 mm. On request, custom length available optionally.
As an option, available with lugs for suspension by ropes or chains.

Front glasses

Flat shock-resistant Plexiglas® XT (PMMA).

Packaging (option)

As an option, clockwork packaged to protect it against blown dust and/or sprayed water (IP 54 according to EN 60 529) is available.

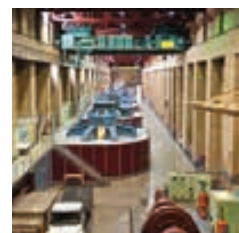
Faces

High distinction white metal with large black DIN bar markings for easy, doubt-free reading even over longer distances. Visible face diameter 420 mm, 520 mm and 620 mm respectively. Faces printed according to DIN 41 091.

Hands

Pointed black bar-type hour and minute hands according to DIN 41 092

Red second hands on minute/second pulse clocks (72.xxx) and on clocks with synchronous second hands (74.xxx) only.



Large space analog double face

Double face clocks

Double face clocks come completely wired and pre-assembled.
Just mount them and plug in – that's it!

| Clock type | Face diameter ▶ | 420 mm | | 520 mm | | 620 mm | |
|---|-----------------|------------------|---------------|------------------|---------------|------------------|---------|
| | | Item No. | € each | Item No. | € each | Item No. | € each |
| DCF77 radio controlled clock, battery operated 2 x 1.5 V ¹⁾ 2) | wall | 51.352.422 | 1,544.– | 51.352.522 | 1,695.– | 51.352.622 | 1,899.– |
| | ceiling | 51.352.423 | 1,544.– | 51.352.523 | 1,695.– | 51.352.623 | 1,899.– |
| | tube | 51.352.424 | 1,644.– | 51.352.524 | 1,795.– | 51.352.624 | 1,999.– |
| DCF77 radio controlled clock, mains operated 230 VAC ²⁾ | wall | 52.352.422 | 1,584.– | 52.352.522 | 1,735.– | 52.352.622 | 1,939.– |
| | ceiling | 52.352.423 | 1,584.– | 52.352.523 | 1,735.– | 52.352.623 | 1,939.– |
| | tube | 52.352.424 | 1,684.– | 52.352.524 | 1,835.– | 52.352.624 | 2,039.– |
| Slave clock, minute pulse 12...60 V | wall | 71.352.422 | 1,195.– | 71.352.522 | 1,345.– | 71.352.622 | 1,545.– |
| | ceiling | 71.352.423 | 1,195.– | 71.352.523 | 1,345.– | 71.352.623 | 1,545.– |
| | tube | 71.352.424 | 1,295.– | 71.352.524 | 1,445.– | 71.352.624 | 1,645.– |
| Slave clock, minute/second pulse 12/24 V | wall | 72.352.422 | 1,645.– | 72.352.522 | 1,795.– | 72.352.622 | 1,995.– |
| | ceiling | 72.352.423 | 1,645.– | 72.352.523 | 1,795.– | 72.352.623 | 1,995.– |
| | tube | 72.352.424 | 1,745.– | 72.352.524 | 1,895.– | 72.352.624 | 2,095.– |
| Slave clock, minute pulse 12/24 V, synchronous second hand 230 VAC/50 Hz | wall | 74.352.422 | 2,015.– | 74.352.522 | 2,165.– | 74.352.622 | 2,365.– |
| | ceiling | 74.352.423 | 2,015.– | 74.352.523 | 2,165.– | 74.352.623 | 2,365.– |
| | tube | 74.352.424 | 2,115.– | 74.352.524 | 2,265.– | 74.352.624 | 2,465.– |
| Telegram slave clock, DCFport24, 24 V | wall | 81.352.422 | 1,309.– | 81.352.522 | 1,459.– | 81.352.622 | 1,660.– |
| | ceiling | 81.352.423 | 1,309.– | 81.352.523 | 1,459.– | 81.352.623 | 1,660.– |
| | tube | 81.352.424 | 1,409.– | 81.352.524 | 1,559.– | 81.352.624 | 1,760.– |
| RC telegram slave clock, AirPort24, battery operated 2 x 1,5 V ¹⁾ | wall | 84.352.422 | 1,459.– | 84.352.522 | 1,609.– | 84.352.622 | 1,810.– |
| | ceiling | 84.352.423 | 1,459.– | 84.352.523 | 1,609.– | 84.352.623 | 1,810.– |
| | tube | 84.352.424 | 1,559.– | 84.352.524 | 1,709.– | 84.352.624 | 1,910.– |
| RC telegram slave clock, AirPort24, mains operated 230 VAC, with outage reserve | wall | 85.352.422 | 1,499.– | 85.352.522 | 1,649.– | 85.352.622 | 1,850.– |
| | ceiling | 85.352.423 | 1,499.– | 85.352.523 | 1,649.– | 85.352.623 | 1,850.– |
| | tube | 85.352.424 | 1,599.– | 85.352.524 | 1,749.– | 85.352.624 | 1,950.– |
| NTP system clock (NTP client), synchronisation by LAN, PoE ³⁾ | wall | 91.352.422 | 1,539.– | 91.352.522 | 1,689.– | 91.352.622 | 1,890.– |
| | ceiling | 91.352.423 | 1,539.– | 91.352.523 | 1,689.– | 91.352.623 | 1,890.– |
| | tube | 91.352.424 | 1,639.– | 91.352.524 | 1,789.– | 91.352.624 | 1,990.– |
| Options | 420 mm Suffix | Surcharge € each | 520 mm Suffix | Surcharge € each | 620 mm Suffix | Surcharge € each | |
| Case enamelled in metallic dark gun metal DB 703 | -06 | none | -06 | none | -06 | none | |
| Case custom enamelled | -10 | on request | -10 | on request | -10 | on request | |
| Case with lugs for suspension by ropes or chains | -30 | none | -30 | none | -30 | none | |
| Custom length mounting fixture | -31 | on request | -31 | on request | -31 | on request | |
| Packaging against dust and spray (IP 54) | -54 | 150.– | -54 | 150.– | -54 | 150.– | |

Type series

352



DCF77 radio controlled clocks

DCF77 radio controlled clocks of this type series will be supplied including a rotatable DCF77 aerial (IP 68). Thus, optimum reception quality can be achieved regardless of the final placement of the clock itself. However, DCF77 radio controlled clocks will only function correctly within a radius of approx. 1,500 km around Mainflingen (50 km east of Frankfurt/M.).

PEWETA DCFport24

PEWETA DCFport24 slave clocks require a PEWETA master clock (see from page 172 on).

PEWETA AirPort24

PEWETA AirPort24 slave clocks require an AirPort24 transmitter or repeater respectively (see page 177).

NTP

NTP system clocks require a PEWETA master clock (see from page 172 on) or an NTP time server (see page 179).

¹⁾ Alkaline batteries are included in delivery shipment (medium lifespan: cir. 4 years).

²⁾ A rotatable DCF77 receiving aerial is included in delivery shipment.

³⁾ NTP system clocks of "PoE" type require a PoE (Power over Ethernet) power supply. Appropriate hardware has to be supplied by customer.

Clocks for Large Spaces

flush-mounted **in walls**, indoor



Large space
analog
flush-mounted

Type series

369



Also available
“resistant
to thrown balls”



72.369.510 shown

Clocks of this type series are excellently suited for all applications requiring large clocks with **solid, industrial grade metal cases** mounted flush with a wall surface.

Also available in a version resistant to thrown balls, according to DIN 18032, part 3.



72.369.510 -22

▲ Clock cases made of stainless steel V4A, blasted and varnished (optional) are resistant to saline or chlorous media. Excellently suited for permanent use in public swimming pools.



Case

■ Faceplate cir. 460x460 mm
 ■ Faceplate cir. 560x560 mm
 ■ Faceplate cir. 660x660 mm
 very sturdy metal case for flush mounting in walls, enamelled white (RAL 9016). Optionally, at a surcharge, enamelled in metallic silver grey (RAL 9006), in dark gun metal (DB 703) or custom enamelled, as listed below. A stainless steel case (1.4571 X6CrNiMoTi 17-12-2, German trade name V4A), blasted and additionally coated with a protective varnish, is available as an option. Protection grade IP 40 (EN 60 529).

Mounting

These clocks are to be mounted flush with the wall surface and require a recess of (W x H x D)

- cir. 406x406x80 mm
- cir. 506x506x80 mm
- cir. 606x606x80 mm.

Resistance to thrown balls acc. to DIN 18 032, part 3 (option)

Clocks of this type series are also available resistant to thrown balls and thus suitable for schools, gymnasiums and other sporting facilities. Very sturdy metal case with 6 mm two-ply laminated mineral safety glass. These clocks conform to German Industry Standard and are certified and labelled "resistant to thrown balls according to DIN 18 032, part 3".

Front glass

Flat shock-resistant Plexiglas® XT (PMMA) as standard.

Packaging (option)

As an option, clockwork packaged to protect it against blown dust and/or sprayed water (IP 54 according to EN 60 529) is available.

Face

High distinction white metal with large black Arabic numerals for easy, doubt-free reading even over longer distances. Visible print diameters are cir. 335 mm, 420 mm, and 503 mm respectively. Face printed according to DIN 41 091.

Hands:

Black bar-type hour and minute hands. Red second hand on minute/second pulse slave clocks (72.xxx) only.



Large space analog flush-mounted

Stainless steel V4A + varnish (option)
 V4A quality stainless steel with an additional coat of protective varnish is outstandingly resistant to acids and other chlorous media and is therefore particularly suited for public swimming pools as well as for the chemical industry.

Type series
369

| Clock type | Face dimensions ▶ | 400 x 400 mm | | 500 x 500 mm | | 600 x 600 mm | |
|---|-------------------|--------------|--------|--------------|---------|--------------|---------|
| | | Item No. | € each | Item No. | € each | Item No. | € each |
| DCF77 radio controlled clock, mains operated 230 VAC ²⁾ | | 52.369.410 | 959.– | 52.369.510 | 1,079.– | 52.369.610 | 1,209.– |
| Slave clock, minute pulse 12...60 V | | 71.369.410 | 589.– | 71.369.510 | 709.– | 71.369.610 | 839.– |
| Slave clock, minute/second pulse 12/24 V | | 72.369.410 | 814.– | 72.369.510 | 934.– | 72.369.610 | 1,064.– |
| Slave clock, minute pulse 12/24 V, synchronous second hand 230 VAC/50 Hz | | 74.369.410 | 999.– | 74.369.510 | 1,119.– | 74.369.610 | 1,249.– |
| Telegram slave clock, DCFport24, 24 V | | 81.369.410 | 610.– | 81.369.510 | 799.– | 81.369.610 | 929.– |
| RC telegram slave clock, AirPort24, mains operated 230 VAC, with outage reserve | | 85.369.410 | 844.– | 85.369.510 | 964.– | 85.369.610 | 1,094.– |
| NTP system clock (NTP client), synchronisation by LAN, PoE ²⁾ | | 91.369.410 | 759.– | 91.369.510 | 1,029.– | 91.369.610 | 1,159.– |

| Options | 400x400mm Suffix | Surcharge € each | 500x500mm Suffix | Surcharge € each | 600x600mm Suffix | Surcharge € each |
|--|------------------|------------------|------------------|------------------|------------------|------------------|
| Case enamelled in metallic silver grey RAL 9006 | -05 | 39.– | -05 | 49.– | -05 | 59.– |
| Case enamelled in metallic dark gun metal DB 703 | -06 | 39.– | -06 | 49.– | -06 | 59.– |
| Case custom enamelled | -10 | on request | -10 | on request | -10 | on request |
| Case stainless steel V4A, blasted and varnished | -22 | on request | -22 | on request | -22 | on request |
| Custom logo on clock face | -47 | on request | -47 | on request | -47 | on request |
| Packaging against dust and spray (IP 54) | -54 | 80.– | -54 | 80.– | -54 | 80.– |
| Resistance to thrown balls acc. to DIN 18032, part 3 | -59 | 179.– | -59 | 179.– | -59 | 179.– |

Options – just as you like them ...

These clocks are available optionally with customised features at the surcharges as listed. Just pick your option(s) and add the appropriate suffix(es) to the Item No.

| Case colour | Suffix |
|-------------------------------------|--------|
| metallic silver grey RAL 9006 | -05 |
| dark gun metal DB 703 | -06 |
| custom enamelled | -10 |
| stainless steel V4A + clear varnish | -22 |

DCF77 radio controlled clocks

DCF77 radio controlled clocks of this type series will be supplied including a removable DCF77 aerial (IP 68). Thus, optimum reception quality can be achieved regardless of the final placement of the clock itself. However, DCF77 radio controlled clocks will only function correctly within a radius of approx. 1,500 km around Mainflingen (50 km east of Frankfurt/M.).

PEWETA DCFport24

PEWETA DCFport24 slave clocks require a PEWETA master clock (see from page 172 on).

PEWETA AirPort24

PEWETA AirPort24 slave clocks require an AirPort24 transmitter or repeater respectively (see page 177).

NTP

NTP system clocks require a PEWETA master clock (see from page 172 on) or an NTP time server (see page 179).

¹⁾ A removable DCF77 receiving aerial is included in delivery shipment.

²⁾ NTP system clocks of "PoE" type require a PoE (Power over Ethernet) power supply. Appropriate hardware has to be supplied by customer.



Clocks for Large Spaces

flush-mounted **in walls**, indoor



Large space
analog
flush-mounted

Type series

369



Also available
“resistant
to thrown balls”



71.369.520 shown

Clocks of this type series are excellently suited for all applications requiring large clocks with **solid, industrial grade metal cases** mounted flush with a wall surface.

Also available in a version resistant to thrown balls, according to DIN 18032, part 3.



72.369.520 -05

▲ Case enamelled in metallic silver grey (RAL 9006) available as an option



Case

- Faceplate cir. 460x460 mm
- Faceplate cir. 560x560 mm
- Faceplate cir. 660x660 mm

very sturdy metal case for flush mounting in walls, enamelled white (RAL 9016). Optionally, at a surcharge, enamelled in metallic silver grey (RAL 9006), in dark gun metal (DB 703) or custom enamelled, as listed below. A stainless steel case (1.4571 X6CrNiMoTi 17-12-2, German trade name V4A), blasted and additionally coated with a protective varnish, is available as an option. Protection grade IP 40 (EN 60 529).

Mounting

These clocks are to be mounted flush with the wall surface and require a recess of (W x H x D)

- cir. 406x406x80 mm
- cir. 506x506x80 mm
- cir. 606x606x80 mm.

Resistance to thrown balls acc. to DIN 18 032, part 3 (option)

Clocks of this type series are also available resistant to thrown balls and thus suitable for schools, gymnasiums and other sporting facilities. Very sturdy metal case with 6 mm two-ply laminated mineral safety glass. These clocks conform to German Industry Standard and are certified and labelled "resistant to thrown balls according to DIN 18 032, part 3".

Front glass

Flat shock-resistant Plexiglas® XT (PMMA) as standard.

Packaging (option)

As an option, clockwork packaged to protect it against blown dust and/or sprayed water (IP 54 according to EN 60 529) is available.

Face

High distinction white metal with large black DIN bar markings for easy, doubt-free reading even over longer distances. Visible print diameters are cir. 335 mm, 420 mm, and 503 mm respectively. Face printed according to DIN 41 091.

Hands

Pointed black bar-type hour and minute hands according to DIN 41 092.

Red second hand on minute/second pulse slave clocks (72.xxx) only.

Stainless steel V4A + varnish (option)

V4A quality stainless steel with an additional coat of protective varnish is outstandingly resistant to acids and other chlorous media and is therefore particularly suited for public swimming pools as well as for the chemical industry.



Large space analog flush-mounted

Type series

369



| Clock type | Face dimensions ▶ | 400 x 400 mm | | 500 x 500 mm | | 600 x 600 mm | |
|---|-------------------|--------------|--------|--------------|---------|--------------|---------|
| | | Item No. | € each | Item No. | € each | Item No. | € each |
| DCF77 radio controlled clock, mains operated 230 VAC ²⁾ | | 52.369.420 | 959.– | 52.369.520 | 1,079.– | 52.369.620 | 1,209.– |
| Slave clock, minute pulse 12...60 V | | 71.369.420 | 589.– | 71.369.520 | 709.– | 71.369.620 | 839.– |
| Slave clock, minute/second pulse 12/24 V | | 72.369.420 | 814.– | 72.369.520 | 934.– | 72.369.620 | 1,064.– |
| Slave clock, minute pulse 12/24 V, synchronous second hand 230 VAC/50 Hz | | 74.369.420 | 999.– | 74.369.520 | 1,119.– | 74.369.620 | 1,249.– |
| Telegram slave clock, DCFport24, 24 V | | 81.369.420 | 610.– | 81.369.520 | 799.– | 81.369.620 | 929.– |
| RC telegram slave clock, AirPort24, mains operated 230 VAC, with outage reserve | | 85.369.420 | 844.– | 85.369.520 | 964.– | 85.369.620 | 1,094.– |
| NTP system clock (NTP client), synchronisation by LAN, PoE ²⁾ | | 91.369.420 | 759.– | 91.369.520 | 1,029.– | 91.369.620 | 1,159.– |

| Options | 400x400mm Suffix | Surcharge € each | 500x500mm Suffix | Surcharge € each | 600x600mm Suffix | Surcharge € each |
|--|------------------|------------------|------------------|------------------|------------------|------------------|
| Case enamelled in metallic silver grey RAL 9006 | -05 | 39.– | -05 | 49.– | -05 | 59.– |
| Case enamelled in metallic dark gun metal DB 703 | -06 | 39.– | -06 | 49.– | -06 | 59.– |
| Case custom enamelled | -10 | on request | -10 | on request | -10 | on request |
| Case stainless steel V4A, blasted and varnished | -22 | on request | -22 | on request | -22 | on request |
| Custom logo on clock face | -47 | on request | -47 | on request | -47 | on request |
| Packaging against dust and spray (IP 54) | -54 | 80.– | -54 | 80.– | -54 | 80.– |
| Resistance to thrown balls acc. to DIN 18032, part 3 | -59 | 179.– | -59 | 179.– | -59 | 179.– |

Options – just as you like them ...

These clocks are available optionally with customised features at the surcharges as listed. Just pick your option(s) and add the appropriate suffix(es) to the Item No.

| Case colour | Suffix |
|---------------------------------------|--------|
| ■ metallic silver grey RAL 9006 | -05 |
| ■ dark gun metal DB 703 | -06 |
| ■ ? custom enamelled | -10 |
| ■ stainless steel V4A + clear varnish | -22 |

DCF77 radio controlled clocks

DCF77 radio controlled clocks of this type series will be supplied including a removable DCF77 aerial (IP 68). Thus, optimum reception quality can be achieved regardless of the final placement of the clock itself. However, DCF77 radio controlled clocks will only function correctly within a radius of approx. 1,500 km around Mainflingen (50 km east of Frankfurt/M.).

PEWETA DCFport24

PEWETA DCFport24 slave clocks require a PEWETA master clock (see from page 172 on).

PEWETA AirPort24

PEWETA AirPort24 slave clocks require an AirPort24 transmitter or repeater respectively (see page 177).

NTP

NTP system clocks require a PEWETA master clock (see from page 172 on) or an NTP time server (see page 179).

¹⁾ A removable DCF77 receiving aerial is included in delivery shipment.

²⁾ NTP system clocks of "PoE" type require a PoE (Power over Ethernet) power supply. Appropriate hardware has to be supplied by customer.

Clocks for Large Spaces

on-wall mounting, indoor



Large space
analog
single face

Type series

370



Also available
"resistant
to thrown balls"



71.370.511 shown

Clocks of this type series are excellently suited for all applications requiring large clocks with **solid, industrial grade metal cases** combined with a doubt-free readability.

They are also available "resistant to thrown balls" according to DIN 18032, part 3.



72.370.611 -22

▲ Clock cases made of stainless steel V4A, blasted and varnished (optional) are resistant to saline or chlorous media. Excellently suited for permanent use in public swimming pools.



Case

- cir. 400x400 mm
- cir. 500x500 mm
- cir. 600x600 mm

very sturdy metal case, enamelled white (RAL 9016). Optionally, at a surcharge, custom enamelled, as listed below. A stainless steel case (1.4301 X5CrNi 18-10, German trade name V2A) with a matted finish or a stainless steel case (1.4571 X6CrNiMoTi 17-12-2, German trade name V4A), blasted and additionally coated with a protective varnish, are available as options. Protection grade IP 40 (EN 60 529).

Resistance to thrown balls acc. to DIN 18 032, part 3 (option)

Clocks of this type series are also available resistant to thrown balls and thus suitable for schools, gymnasiums and other sporting facilities. Very sturdy metal case with 6 mm two-ply laminated mineral safety glass. These clocks conform to German Industry Standard and are certified and

labelled "resistant to thrown balls according to DIN 18 032, part 3".

Front glass

Flat shock-resistant Plexiglas® XT (PMMA) as standard.

Packaging (option)

As an option, clockwork packaged to protect it against blown dust and/or sprayed water (IP 54 according to EN 60 529) is available.

Face

High distinction white metal with large black Arabic numerals for easy, doubt-free reading even over longer distances. Visible print diameters are 335 mm, 420 mm, and 503 mm respectively. Face printed according to DIN 41 091.

Hands

Black bar-type hour and minute hands. Red second hand on synchronous clocks (21.xxx), on slave clocks with minute/second pulse (72.xxx) and on slave clocks with synchronous second hands (74.xxx) only.

Stainless steel V2A (option)

Due to its components stainless steel V2A is an alloy almost completely impervious to detergents and disinfectants and is therefore excellently suited for the use in the food and pharmaceutical industries, in kitchens, laboratories and other clean rooms. And it looks good into the bargain, as well!

Stainless steel V4A + varnish (option)

V4A quality stainless steel with an additional coat of protective varnish is outstandingly resistant to acids and other chlorous media and is therefore particularly suited for public swimming pools as well as for the chemical industry.



Large space analog single face



| Clock type | Face dimensions ▶ | 400 x 400 mm | | 500 x 500 mm | | 600 x 600 mm | |
|---|-------------------|--------------|--------|--------------|--------|--------------|---------|
| | | Item No. | € each | Item No. | € each | Item No. | € each |
| Synchronous clock, mains operated 230 VAC/50 Hz | | 21.370.411 | 485.– | 21.370.511 | 615.– | 21.370.611 | 745.– |
| DCF77 radio controlled clock, battery operated 2 x 1.5 V ¹⁾²⁾ | | 51.370.411 | 489.– | 51.370.511 | 909.– | 51.370.611 | 1,039.– |
| DCF77 radio controlled clock, mains operated 230 VAC ²⁾ | | 52.370.411 | 569.– | 52.370.511 | 949.– | 52.370.611 | 1,079.– |
| Slave clock, minute pulse 12...60 V | | 71.370.411 | 459.– | 71.370.511 | 579.– | 71.370.611 | 709.– |
| Slave clock, minute/second pulse 12/24 V | | 72.370.411 | 684.– | 72.370.511 | 804.– | 72.370.611 | 934.– |
| Slave clock, minute pulse 12/24 V, synchronous second hand 230 VAC/50 Hz | | 74.370.411 | 869.– | 74.370.511 | 989.– | 74.370.611 | 1,119.– |
| Telegram slave clock, DCFport24, 24 V | | 81.370.411 | 480.– | 81.370.511 | 669.– | 81.370.611 | 799.– |
| RC telegram slave clock, AirPort24, battery operated 2 x 1,5 V ¹⁾ | | 84.370.411 | 584.– | 84.370.511 | 794.– | 84.370.611 | 924.– |
| RC telegram slave clock, AirPort24, mains operated 230 VAC, with outage reserve | | 85.370.411 | 644.– | 85.370.511 | 834.– | 85.370.611 | 964.– |
| NTP system clock (NTP client), synchronisation by LAN, PoE ²⁾ | | 91.370.411 | 629.– | 91.370.511 | 899.– | 91.370.611 | 1,029.– |

| Options | 400x400mm Suffix | Surcharge € each | 500x500mm Suffix | Surcharge € each | 600x600mm Suffix | Surcharge € each |
|---|------------------|------------------|--------------------|------------------|--------------------|------------------|
| Case enamelled in metallic silver grey RAL 9006 | -05 | 39.– | -05 | 49.– | -05 | 59.– |
| Case enamelled in metallic dark gun metal DB 703 | -06 | 39.– | -06 | 49.– | -06 | 59.– |
| Case custom enamelled | -10 | on request | -10 | on request | -10 | on request |
| Case stainless steel V2A, matted finish | -20 | on request | -20 | on request | -20 | on request |
| Case stainless steel V4A, blasted and varnished | -22 | on request | -22 | on request | -22 | on request |
| Custom logo on clock face | -47 | on request | -47 | on request | -47 | on request |
| Packaging against dust and spray (IP 54) | -54 | 80.– | -54 | 80.– | -54 | 80.– |
| Resistance to thrown balls acc. to DIN 18032, part 3 | -59 | 179.– | -59 | 179.– | -59 | 179.– |
| External DCF77 receiving aerial (cannot be added later) | -60 | 169.– | fitted as standard | | fitted as standard | |

Options – just as you like them ...

These clocks are available optionally with customised features at the surcharges as listed. Just pick your option(s) and add the appropriate suffix(es) to the Item No.

| Case colour | Suffix |
|-------------------------------------|--------|
| metallic silver grey RAL 9006 | -05 |
| dark gun metal DB 703 | -06 |
| custom enamelled | -10 |
| stainless steel V2A | -20 |
| stainless steel V4A + clear varnish | -22 |

DCF77 radio controlled clocks

DCF77 radio controlled clocks of this type series will be supplied including a rotatable DCF77 aerial (IP 68). Thus, optimum reception quality can be achieved regardless of the final placement of the clock itself. However, DCF77 radio controlled clocks will only function correctly within a radius of approx. 1,500 km around Mainflingen (50 km east of Frankfurt/M.).

PEWETA DCFport24

PEWETA DCFport24 slave clocks require a PEWETA master clock (see from page 172 on).

PEWETA AirPort24

PEWETA AirPort24 slave clocks require an AirPort24 transmitter or repeater respectively (see page 177).

NTP

NTP system clocks require a PEWETA master clock (see from page 172 on) or an NTP time server (see page 179).

¹⁾ Alkaline batteries are included in delivery shipment (medium lifespan: cir. 4 years).

²⁾ A rotatable DCF77 receiving aerial is included in delivery shipment. (Exception: 51.370.421, 52.370.421)

³⁾ NTP system clocks of "PoE" type require a PoE (Power over Ethernet) power supply. Appropriate hardware has to be supplied by customer.



Clocks for Large Spaces

on-wall mounting, indoor



Large space
analog
single face

Type series

370



Also available
"resistant
to thrown balls"



71.370.621 shown

Clocks of this type series are excellently suited for all applications requiring large clocks with **solid, industrial grade metal cases** combined with a doubt-free readability.

They are also available "resistant to thrown balls" according to DIN 18032, part 3.



81.370.521 -06

▲ Case enamelled dark gun metal (DB703) available as an option



Case

- cir. 400x400 mm
- cir. 500x500 mm
- cir. 600x600 mm

very sturdy metal case, enamelled white (RAL 9016). Optionally, at a surcharge, custom enamelled, as listed below. A stainless steel case (1.4301 X5CrNi 18-10, German trade name V2A) with a matted finish or a stainless steel case (1.4571 X6CrNiMoTi 17-12-2, German trade name V4A), blasted and additionally coated with a protective varnish, are available as options. Protection grade IP 40 (EN 60 529).

Resistance to thrown balls acc. to DIN 18 032, part 3 (option)

Clocks of this type series are also available resistant to thrown balls and thus suitable for schools, gymnasiums and other sporting facilities. Very sturdy metal case with 6 mm two-ply laminated mineral safety glass. These clocks conform to German Industry Standard and are certified and

labelled "resistant to thrown balls according to DIN 18 032, part 3".

Front glass

Flat shock-resistant Plexiglas® XT (PMMA) as standard.

Packaging (option)

As an option, clockwork packaged to protect it against blown dust and/or sprayed water (IP 54 according to EN 60 529) is available.

Face

High distinction white metal with large black DIN bar markings for easy, doubt-free reading even over longer distances. Visible print diameters are 335 mm, 420 mm, and 503 mm respectively. Face printed according to DIN 41 091.

Hands

Pointed black bar-type hour and minute hands according to DIN 41 092.

Red second hands on synchronous clocks (21.xxx), on minute/second pulse clocks (72.xxx) and on clocks with synchronous second hands (74.xxx) only.

Stainless steel V2A (option)

Due to its components stainless steel V2A is an alloy almost completely impervious to detergents and disinfectants and is therefore excellently suited for the use in the food and pharmaceutical industries, in kitchens, laboratories and other clean rooms. And it looks good into the bargain, as well!

Stainless steel V4A + varnish (option)

V4A quality stainless steel with an additional coat of protective varnish is outstandingly resistant to acids and other chlorous media and is therefore particularly suited for public swimming pools as well as for the chemical industry.



Large space analog single face

Type series

370



DCF77 radio controlled clocks

DCF77 radio controlled clocks of this type series will be supplied including a rotatable DCF77 aerial (IP 68). Thus, optimum reception quality can be achieved regardless of the final placement of the clock itself. However, DCF77 radio controlled clocks will only function correctly within a radius of approx. 1,500 km around Mainflingen (50 km east of Frankfurt/M.).

PEWETA DCFport24

PEWETA DCFport24 slave clocks require a PEWETA master clock (see from page 172 on).

PEWETA AirPort24

PEWETA AirPort24 slave clocks require an AirPort24 transmitter or repeater respectively (see page 177).

NTP

NTP system clocks require a PEWETA master clock (see from page 172 on) or an NTP time server (see page 179).

| Clock type | Face dimensions ▶ | 400 x 400 mm | | 500 x 500 mm | | 600 x 600 mm | |
|---|-------------------|--------------|--------|--------------|--------|--------------|---------|
| | | Item No. | € each | Item No. | € each | Item No. | € each |
| Synchronous clock, mains operated 230 VAC/50 Hz | | 21.370.421 | 485.– | 21.370.521 | 615.– | 21.370.621 | 745.– |
| DCF77 radio controlled clock, battery operated 2 x 1.5 V ^(1,2) | | 51.370.421 | 489.– | 51.370.521 | 909.– | 51.370.621 | 1,039.– |
| DCF77 radio controlled clock, mains operated 230 VAC ⁽²⁾ | | 52.370.421 | 569.– | 52.370.521 | 949.– | 52.370.621 | 1,079.– |
| Slave clock, minute pulse 12...60 V | | 71.370.421 | 459.– | 71.370.521 | 579.– | 71.370.621 | 709.– |
| Slave clock, minute/second pulse 12/24 V | | 72.370.421 | 684.– | 72.370.521 | 804.– | 72.370.621 | 934.– |
| Slave clock, minute pulse 12/24 V, synchronous second hand 230 VAC/50 Hz | | 74.370.421 | 869.– | 74.370.521 | 989.– | 74.370.621 | 1,119.– |
| Telegram slave clock, DCFport24, 24 V | | 81.370.421 | 480.– | 81.370.521 | 669.– | 81.370.621 | 799.– |
| RC telegram slave clock, AirPort24, battery operated 2 x 1,5 V ⁽¹⁾ | | 84.370.421 | 584.– | 84.370.521 | 794.– | 84.370.621 | 924.– |
| RC telegram slave clock, AirPort24, mains operated 230 VAC, with outage reserve | | 85.370.421 | 644.– | 85.370.521 | 834.– | 85.370.621 | 964.– |
| NTP system clock (NTP client), synchronisation by LAN, PoE ⁽²⁾ | | 91.370.421 | 629.– | 91.370.521 | 899.– | 91.370.621 | 1,029.– |

| Options | 400x400mm Suffix | Surcharge € each | 500x500mm Suffix | Surcharge € each | 600x600mm Suffix | Surcharge € each |
|---|------------------|------------------|------------------|--------------------|------------------|--------------------|
| Case enamelled in metallic silver grey RAL 9006 | -05 | 39.– | -05 | 49.– | -05 | 59.– |
| Case enamelled in metallic dark gun metal DB 703 | -06 | 39.– | -06 | 49.– | -06 | 59.– |
| Case custom enamelled | -10 | on request | -10 | on request | -10 | on request |
| Case stainless steel V2A, matted finish | -20 | on request | -20 | on request | -20 | on request |
| Case stainless steel V4A, blasted and varnished | -22 | on request | -22 | on request | -22 | on request |
| Custom logo on clock face | -47 | on request | -47 | on request | -47 | on request |
| Packaging against dust and spray (IP 54) | -54 | 80.– | -54 | 80.– | -54 | 80.– |
| Resistance to thrown balls acc. to DIN 18032, part 3 | -59 | 179.– | -59 | 179.– | -59 | 179.– |
| External DCF77 receiving aerial (cannot be added later) | -60 | 169.– | | fitted as standard | | fitted as standard |

Options – just as you like them ...

These clocks are available optionally with customised features at the surcharges as listed. Just pick your option(s) and add the appropriate suffix(es) to the Item No.

| Case colour | Suffix |
|-------------------------------------|--------|
| metallic silver grey RAL 9006 | -05 |
| dark gun metal DB 703 | -06 |
| custom enamelled | -10 |
| stainless steel V2A | -20 |
| stainless steel V4A + clear varnish | -22 |

¹⁾ Alkaline batteries are included in delivery shipment (medium lifespan: cir. 4 years).

²⁾ A rotatable DCF77 receiving aerial is included in delivery shipment. (Exception: 51.370.421, 52.370.421)

³⁾ NTP system clocks of "PoE" type require a PoE (Power over Ethernet) power supply. Appropriate hardware has to be supplied by customer.

All prices are subject to change without notice, packing and shipping cost (see page 185) as well as VAT for deliveries within Germany added. Prices shown as of January 1st, 2024. If you have any questions or require additional information, please contact us, we will gladly give advice.



Clocks for Large Spaces

double face, indoor



Large space
analog
double face

Type series

372



71.372.512 shown

Double face indoor clocks with **solid, industrial grade metal cases** with sturdy wall brackets or suspended from the ceiling, shock-resistant Plexiglas® XT front glasses. The best decision for a reliable and durable product!



72.372.612 -22

▲ Clock cases made of stainless steel V4A, blasted and varnished (optional) are resistant to saline or chlorous media. Excellently suited for permanent use in public swimming pools.



Case

- cir. 400x400 mm
- cir. 500x500 mm
- cir. 600x600 mm

very sturdy metal case enamelled white (RAL 9016). Optionally, at a surcharge, custom enamelled, as listed below. A stainless steel case (1.4301 X5CrNi 18-10, German trade name V2A) with a matted finish or a stainless steel case (1.4571 X6CrNiMoTi 17-12-2, German trade name V4A), blasted and additionally coated with a protective varnish, are available as options. Protection grade IP 40 (EN 60 529).

Mounting

Choice of double bracket wall or ceiling mounting, enamelled white, standard bracket length cir. 250 mm. Also available with lugs for suspension by ropes or chains as an option for larger ceiling heights.

Front glass

Flat shock-resistant Plexiglas® XT (PMMA).

Packaging (option)

As an option, clockwork packaged to protect it against blown dust and/or sprayed water (IP 54 according to EN 60 529) is available.

Faces

High distinction white metal with large black Arabic numerals for easy, doubt-free reading even over longer distances. Visible print diameters are 335 mm, 420 mm, and 503 mm respectively. Faces printed according to DIN 41 091.

Hands

Black bar-type hour and minute hands.

Red second hand on slave clocks with minute/second pulse (72.xxx) and on slave clocks with synchronous second hands (74.xxx) only.

Double face clocks

Double face clocks come completely wired and pre-assembled.

Just mount them and plug in – **that's it!**

Stainless steel V2A (option)

Due to its components stainless steel V2A is an alloy almost completely impervious to detergents and disinfectants and is therefore excellently suited for the use in the food and pharmaceutical industries, in kitchens, laboratories and other clean rooms. And it looks good into the bargain, as well!

Stainless steel V4A + varnish (option)

V4A quality stainless steel with an additional coat of protective varnish is outstandingly resistant to acids and other chlorous media and is therefore particularly suited for public swimming pools as well as for the chemical industry.



Large space analog double face

Type series

372



DCF77 radio controlled clocks

DCF77 radio controlled clocks of this type series will be supplied including a rotatable DCF77 aerial (IP 68). Thus, optimum reception quality can be achieved regardless of the final placement of the clock itself. However, DCF77 radio controlled clocks will only function correctly within a radius of approx. 1,500 km around Mainflingen (50 km east of Frankfurt/M.).

PEWETA DCFport24

PEWETA DCFport24 slave clocks require a PEWETA master clock (see from page 172 on).

PEWETA AirPort24

PEWETA AirPort24 slave clocks require an AirPort24 transmitter or repeater respectively (see page 177).

NTP

NTP system clocks require a PEWETA master clock (see from page 172 on) or an NTP time server (see page 179).

| Clock type | Face dimensions ▶ Mounting ▼ | 400x400mm | | 500x500mm | | 600x600mm | |
|---|---------------------------------|------------|---------|------------|---------|------------|---------|
| | | Item No. | € each | Item No. | € each | Item No. | € each |
| DCF77 radio controlled clock, battery operated 2x 1.5 V ¹⁾²⁾ | wall | 51.372.412 | 1,624.– | 51.372.512 | 1,855.– | 51.372.612 | 2,079.– |
| | ceiling | 51.372.413 | 1,624.– | 51.372.513 | 1,855.– | 51.372.613 | 2,079.– |
| DCF77 radio controlled clock, mains operated 230 VAC ²⁾ | wall | 52.372.412 | 1,664.– | 52.372.512 | 1,895.– | 52.372.612 | 2,119.– |
| | ceiling | 52.372.413 | 1,664.– | 52.372.513 | 1,895.– | 52.372.613 | 2,119.– |
| Slave clock, minute pulse 12...60 V | wall | 71.372.412 | 1,275.– | 71.372.512 | 1,505.– | 71.372.612 | 1,725.– |
| | ceiling | 71.372.413 | 1,275.– | 71.372.513 | 1,505.– | 71.372.613 | 1,725.– |
| Slave clock, minute/second pulse 12/24 V | wall | 72.372.412 | 1,725.– | 72.372.512 | 1,955.– | 72.372.612 | 2,175.– |
| | ceiling | 72.372.413 | 1,725.– | 72.372.513 | 1,955.– | 72.372.613 | 2,175.– |
| Slave clock, minute pulse 12/24 V, synchronous second hand 230 VAC/50 Hz | wall | 74.372.412 | 2,095.– | 74.372.512 | 2,325.– | 74.372.612 | 2,545.– |
| | ceiling | 74.372.413 | 2,095.– | 74.372.513 | 2,325.– | 74.372.613 | 2,545.– |
| Telegram slave clock, DCFport24, 24 V | wall | 81.372.412 | 1,389.– | 81.372.512 | 1,619.– | 81.372.612 | 1,840.– |
| | ceiling | 81.372.413 | 1,389.– | 81.372.513 | 1,619.– | 81.372.613 | 1,840.– |
| RC telegram slave clock, AirPort24, battery operated 2x 1,5 V ¹⁾ | wall | 84.372.412 | 1,539.– | 84.372.512 | 1,769.– | 84.372.612 | 1,990.– |
| | ceiling | 84.372.413 | 1,539.– | 84.372.513 | 1,769.– | 84.372.613 | 1,990.– |
| RC telegram slave clock, AirPort24, mains operated 230 VAC, with outage reserve | wall | 85.372.412 | 1,579.– | 85.372.512 | 1,809.– | 85.372.612 | 2,030.– |
| | ceiling | 85.372.413 | 1,579.– | 85.372.513 | 1,809.– | 85.372.613 | 2,030.– |
| NTP system clock (NTP client), synchronisation by LAN, PoE ³⁾ | wall | 91.372.412 | 1,619.– | 91.372.512 | 1,849.– | 91.372.612 | 2,070.– |
| | ceiling | 91.372.413 | 1,619.– | 91.372.513 | 1,849.– | 91.372.613 | 2,070.– |

| Options | 400x400mm Suffix | Surcharge € each | 500x500mm Suffix | Surcharge € each | 600x600mm Suffix | Surcharge € each |
|--|------------------|------------------|------------------|------------------|------------------|------------------|
| Case enamelled in metallic silver grey RAL 9006 | -05 | 95.– | -05 | 105.– | -05 | 125.– |
| Case enamelled in metallic dark gun metal DB 703 | -06 | 95.– | -06 | 105.– | -06 | 125.– |
| Case custom enamelled | -10 | on request | -10 | on request | -10 | on request |
| Case stainless steel V2A, matted finish | -20 | on request | -20 | on request | -20 | on request |
| Case stainless steel V4A, blasted and varnished | -22 | on request | -22 | on request | -22 | on request |
| Case with lugs for suspension by ropes or chains | -30 | on request | -30 | on request | -30 | on request |
| Custom logo on clock face | -47 | on request | -47 | on request | -47 | on request |
| Packaging against dust and spray (IP 54) | -54 | 150.– | -54 | 150.– | -54 | 150.– |

¹⁾ Alkaline batteries are included in delivery shipment (medium lifespan: cir. 4 years).

²⁾ A rotatable DCF77 receiving aerial is included in delivery shipment.

³⁾ NTP system clocks of "PoE" type require a PoE (Power over Ethernet) power supply. Appropriate hardware has to be supplied by customer.

All prices are subject to change without notice, packing and shipping cost (see page 185) as well as VAT for deliveries within Germany added. Prices shown as of January 1st, 2024. If you have any questions or require additional information, please contact us, we will gladly give advice.



Clocks for Large Spaces

double face, indoor



Large space
analog
double face

Type series

372



71.372.522 shown

Double face indoor clocks with **solid, industrial grade metal cases** with sturdy wall brackets or suspended from the ceiling, shock-resistant Plexiglas® XT front glasses. The best decision for a reliable and durable product!



81.372.622 -06

▲ Case enamelled dark gun metal (DB703) as an option



Case

- cir. 400x400 mm
- cir. 500x500 mm
- cir. 600x600 mm

very sturdy metal case enamelled white (RAL 9016). Optionally, at a surcharge, custom enamelled, as listed below. A stainless steel case (1.4301 X5CrNi 18-10, German trade name V2A) with a matted finish or a stainless steel case (1.4571 X6CrNiMoTi 17-12-2, German trade name V4A), blasted and additionally coated with a protective varnish, are available as options. Protection grade IP 40 (EN 60 529).

Mounting

Choice of double bracket wall or ceiling mounting, enamelled white, standard bracket length cir. 250 mm. Also available with lugs for suspension by ropes or chains as an option for larger ceiling heights.

Front glass

Flat shock-resistant Plexiglas® XT (PMMA).

Packaging (option)

As an option, clockwork packaged to protect it against blown dust and/or sprayed water (IP 54 according to EN 60 529) is available.

Faces

High distinction white metal with large black DIN bar markings for easy, doubt-free reading even over longer distances. Visible print diameters are 335 mm, 420 mm, and 503 mm respectively. Faces printed according to DIN 41 091.

Hands

Pointed black bar-type hour and minute hands according to DIN 41 092.

Red second hands on minute/second pulse clocks (72.xxx) and on clocks with synchronous second hands (74.xxx) only.

Double face clocks

Double face clocks come completely wired and pre-assembled.

Just mount them and plug in – that's it!

Stainless steel V2A (option)

Due to its components stainless steel V2A is an alloy almost completely impervious to detergents and disinfectants and is therefore excellently suited for the use in the food and pharmaceutical industries, in kitchens, laboratories and other clean rooms. And it looks good into the bargain, as well!

Stainless steel V4A + varnish (option)

V4A quality stainless steel with an additional coat of protective varnish is outstandingly resistant to acids and other chlorous media and is therefore particularly suited for public swimming pools as well as for the chemical industry.



Large space analog double face

Type series

372



DCF77 radio controlled clocks

DCF77 radio controlled clocks of this type series will be supplied including a rotatable DCF77 aerial (IP 68). Thus, optimum reception quality can be achieved regardless of the final placement of the clock itself. However, DCF77 radio controlled clocks will only function correctly within a radius of approx. 1,500 km around Mainflingen (50 km east of Frankfurt/M.).

PEWETA DCFport24

PEWETA DCFport24 slave clocks require a PEWETA master clock (see from page 172 on).

PEWETA AirPort24

PEWETA AirPort24 slave clocks require an AirPort24 transmitter or repeater respectively (see page 177).

NTP

NTP system clocks require a PEWETA master clock (see from page 172 on) or an NTP time server (see page 179).

| Clock type | Face dimensions ▶ Mounting ▼ | 400 x 400 mm | | 500 x 500 mm | | 600 x 600 mm | |
|---|---------------------------------|--------------|---------|--------------|---------|--------------|---------|
| | | Item No. | € each | Item No. | € each | Item No. | € each |
| DCF77 radio controlled clock, battery operated 2x 1.5 V ^(1,2) | wall | 51.372.422 | 1,624.- | 51.372.522 | 1,855.- | 51.372.622 | 2,079.- |
| | ceiling | 51.372.423 | 1,624.- | 51.372.523 | 1,855.- | 51.372.623 | 2,079.- |
| DCF77 radio controlled clock, mains operated 230 VAC ⁽²⁾ | wall | 52.372.422 | 1,664.- | 52.372.522 | 1,895.- | 52.372.622 | 2,119.- |
| | ceiling | 52.372.423 | 1,664.- | 52.372.523 | 1,895.- | 52.372.623 | 2,119.- |
| Slave clock, minute pulse 12...60 V | wall | 71.372.422 | 1,275.- | 71.372.522 | 1,505.- | 71.372.622 | 1,725.- |
| | ceiling | 71.372.423 | 1,275.- | 71.372.523 | 1,505.- | 71.372.623 | 1,725.- |
| Slave clock, minute/second pulse 12/24 V | wall | 72.372.422 | 1,725.- | 72.372.522 | 1,955.- | 72.372.622 | 2,175.- |
| | ceiling | 72.372.423 | 1,725.- | 72.372.523 | 1,955.- | 72.372.623 | 2,175.- |
| Slave clock, minute pulse 12/24 V, synchronous second hand 230 VAC/50 Hz | wall | 74.372.422 | 2,095.- | 74.372.522 | 2,325.- | 74.372.622 | 2,545.- |
| | ceiling | 74.372.423 | 2,095.- | 74.372.523 | 2,325.- | 74.372.623 | 2,545.- |
| Telegram slave clock, DCFport24, 24 V | wall | 81.372.422 | 1,389.- | 81.372.522 | 1,619.- | 81.372.622 | 1,840.- |
| | ceiling | 81.372.423 | 1,389.- | 81.372.523 | 1,619.- | 81.372.623 | 1,840.- |
| RC telegram slave clock, AirPort24, battery operated 2x 1,5 V ⁽¹⁾ | wall | 84.372.422 | 1,539.- | 84.372.522 | 1,769.- | 84.372.622 | 1,990.- |
| | ceiling | 84.372.423 | 1,539.- | 84.372.523 | 1,769.- | 84.372.623 | 1,990.- |
| RC telegram slave clock, AirPort24, mains operated 230 VAC, with outage reserve | wall | 85.372.422 | 1,579.- | 85.372.522 | 1,809.- | 85.372.622 | 2,030.- |
| | ceiling | 85.372.423 | 1,579.- | 85.372.523 | 1,809.- | 85.372.623 | 2,030.- |
| NTP system clock (NTP client), synchronisation by LAN, PoE ⁽³⁾ | wall | 91.372.422 | 1,619.- | 91.372.522 | 1,849.- | 91.372.622 | 2,070.- |
| | ceiling | 91.372.423 | 1,619.- | 91.372.523 | 1,849.- | 91.372.623 | 2,070.- |

| Options | 400x400mm Suffix | Surcharge € each | 500x500mm Suffix | Surcharge € each | 600x600mm Suffix | Surcharge € each |
|--|------------------|------------------|------------------|------------------|------------------|------------------|
| Case enamelled in metallic silver grey RAL 9006 | -05 | 95.- | -05 | 105.- | -05 | 125.- |
| Case enamelled in metallic dark gun metal DB 703 | -06 | 95.- | -06 | 105.- | -06 | 125.- |
| Case custom enamelled | -10 | on request | -10 | on request | -10 | on request |
| Case stainless steel V2A, matted finish | -20 | on request | -20 | on request | -20 | on request |
| Case stainless steel V4A, blasted and varnished | -22 | on request | -22 | on request | -22 | on request |
| Case with lugs for suspension by ropes or chains | -30 | on request | -30 | on request | -30 | on request |
| Custom logo on clock face | -47 | on request | -47 | on request | -47 | on request |
| Packaging against dust and spray (IP 54) | -54 | 150.- | -54 | 150.- | -54 | 150.- |

¹ Alkaline batteries are included in delivery shipment (medium lifespan: cir. 4 years).

² A rotatable DCF77 receiving aerial is included in delivery shipment.

³ NTP system clocks of "PoE" type require a PoE (Power over Ethernet) power supply. Appropriate hardware has to be supplied by customer.

All prices are subject to change without notice, packing and shipping cost (see page 185) as well as VAT for deliveries within Germany added. Prices shown as of January 1st, 2024. If you have any questions or require additional information, please contact us, we will gladly give advice.



Clocks for Large Spaces

four faces, indoor



Large space
analog
four faces

Type series

390



71.390.415 shown

Clock cubes with **solid, industrial grade metal cases** for large halls or places of high publicity. Always the correct time, exactly readable from any angle!



91.390.425

Backlighted clock cubes

for indoor and outdoor use see pages 164 and 165.



Case

■ edge length cir. 565 mm, with four square faces, cir. 425x425 mm sturdy metal cube, enamelled in white (RAL 9016) as standard. Optionally, at a surcharge, enamelled in custom colours. A large hinged inspection flap on the top provides easy access for maintenance. Protection grade IP 40 (EN 60 529).

Mounting

This clock cube will usually be suspended from the ceiling by metal ropes or chains. Due to varying requirements, ropes or chains are to be procured locally. Four eyebolts are provided on the top of the case.

Front glasses

Flat shock-resistant Plexiglas® XT (PMMA).

Faces

High distinction white metal with large black Arabic numerals or large black DIN bar markings for easy, doubt-free reading even over longer distances. Visible face dimensions cir. 400x400 mm. Faces printed according to DIN 41 091

Hands

Black bar-type hour and minute hands. Red second hands on minute/second pulse clocks (72.xxx) and on clocks with synchronous second hands (74.xxx) only.

Clock cubes come completely wired and pre-assembled. Just mount them and plug in – that's it!

| Clock type | Arabic numerals Item No. | € each | Bar markings Item No. | € each |
|---|-----------------------------|---------|--------------------------|---------|
| DCF77 radio controlled clock, mains operated 230 VAC ¹⁾ | 52.390.415 | 2,195.– | 52.390.425 | 2,195.– |
| Slave clock, minute pulse 12...60 V | 71.390.415 | 1,850.– | 71.390.425 | 1,850.– |
| Slave clock, minute/second pulse 12/24 V | 72.390.415 | 2,750.– | 72.390.425 | 2,750.– |
| Slave clock, minute pulse 12/24 V, synchronous second hand 230 VAC/50 Hz | 74.390.415 | 3,490.– | 74.390.425 | 3,490.– |
| Telegram slave clock, DCFport24, 24 V | 81.390.415 | 1,989.– | 81.390.425 | 1,989.– |
| RC telegram slave clock, AirPort24, mains operated 230 VAC, with outage reserve | 85.390.415 | 2,219.– | 85.390.425 | 2,219.– |
| NTP system clock (NTP client), synchronisation by LAN, PoE ²⁾ | 91.390.415 | 2,249.– | 91.390.425 | 2,249.– |

| Options | Arab. num. Suffix | Surcharge € each | Bar mark. Suffix | Surcharge € each |
|-----------------------|----------------------|---------------------|---------------------|---------------------|
| Cube custom enamelled | -13 | on request | -13 | on request |

Options – just as you like them ...

These clocks are available optionally with customised features at the surcharges as listed. Just pick your option(s) and add the appropriate suffix(es) to the Item No.

¹⁾ A remactable DCF77 receiving aerial is included in delivery shipment.

²⁾ NTP system clocks of "PoE" type require a PoE (Power over Ethernet) power supply. Appropriate hardware has to be supplied by customer.

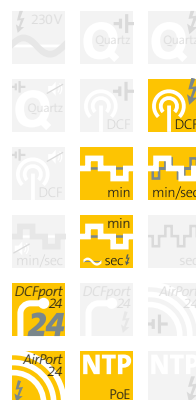
All prices are subject to change without notice, packing and shipping cost (see page 185) as well as VAT for deliveries within Germany added. Prices shown as of January 1st, 2024. If you have any questions or require additional information, please contact us, we will gladly give advice.



Large space
analog
four faces

Type series

390



DCF77 radio controlled clocks

DCF77 radio controlled clocks of this type series will be supplied including a remactable DCF77 aerial (IP 68). Thus, optimum reception quality can be achieved regardless of the final placement of the clock itself. However, DCF77 radio controlled clocks will only function correctly within a radius of approx. 1,500 km around Mainflingen (50 km east of Frankfurt/M.).

PEWETA DCFport24

PEWETA DCFport24 slave clocks require a PEWETA master clock (see from page 172 on).

PEWETA AirPort24

PEWETA AirPort24 slave clocks require an AirPort24 transmitter or repeater respectively (see page 177).

NTP

NTP system clocks require a PEWETA master clock (see from page 172 on) or an NTP time server (see page 179).

Backlighted clock cubes

for indoor and outdoor use see pages 164 and 165.



Clocks for Large Spaces

four faces, indoor



Large space
analog
four faces

Type series

395



74.395.525 -16 shown

Clock cubes with **solid, industrial grade metal cases** for large halls or places of high publicity. Always the correct time, exactly readable from any angle!



74.395.525 -13 -16

▲ Case custom enamelled (option)

Backlighted clock cubes

for indoor and outdoor use see pages 164 and 165.



Case

- edge length cir. 500 mm, with four round faces, diameter cir. 400 mm
 - edge length cir. 625 mm, with four round faces, diameter cir. 500 mm
- sturdy metal cube, enamelled in white (RAL 9016) as standard. Optionally, at a surcharge, case and/or clock rims enamelled in custom colours. A large hinged inspection flap on the top provides easy access for maintenance. Protection grade IP 40 (EN 60 529).

Mounting

This clock cube will usually be suspended from the ceiling by metal ropes or chains. Due to varying requirements, ropes or chains are to be procured locally. Four eyebolts are provided on the top of the case.

Front glasses

Domed shock-resistant Plexiglas® XT (PMMA). As an option, low reflectivity front glasses are available.

Faces

High distinction white metal with large black Arabic numerals or large black DIN bar markings for easy, doubt-free reading even over longer distances. Visible face diameter cir. 400 mm and cir. 500 mm respectively.

Faces printed according to DIN 41 091

Hands

Black bar-type hour and minute hands. Red second hands on minute/second pulse clocks (72.xxx) and on clocks with synchronous second hands (74.xxx) only.



Large space analog four faces

Type series

395



Clock cubes come completely wired and pre-assembled. Just mount them and plug in – that's it!

| Clock type | Face diameter | Arabic numerals Item No. | € each | Bar markings Item No. | € each |
|---|---------------|--------------------------|---------|-----------------------|---------|
| DCF77 radio controlled clock, mains operated 230 VAC ¹⁾ | 400 mm | 52.395.415 | 2,725.– | 52.395.425 | 2,725.– |
| Slave clock, minute pulse 12...60 V | 400 mm | 71.395.415 | 2,390.– | 71.395.425 | 2,390.– |
| Slave clock, minute/second pulse 12/24 V | 400 mm | 72.395.415 | 3,290.– | 72.395.425 | 3,290.– |
| Slave clock, minute pulse 12/24 V, synchronous second hand 230 VAC/50 Hz | 400 mm | 74.395.415 | 4,030.– | 74.395.425 | 4,030.– |
| Telegram slave clock, DCFport24, 24 V | 400 mm | 81.395.415 | 2,530.– | 81.395.425 | 2,530.– |
| RC telegram slave clock, AirPort24, mains operated 230 VAC, with outage reserve | 400 mm | 85.395.415 | 2,760.– | 85.395.425 | 2,760.– |
| NTP system clock (NTP client), synchronisation by LAN, PoE ²⁾ | 400 mm | 91.395.415 | 2,790.– | 91.395.425 | 2,790.– |

| Clock type | Face diameter | Arabic numerals Item No. | € each | Bar markings Item No. | € each |
|---|---------------|--------------------------|---------|-----------------------|---------|
| DCF77 radio controlled clock, mains operated 230 VAC ¹⁾ | 500 mm | 52.395.515 | 3,325.– | 52.395.525 | 3,325.– |
| Slave clock, minute pulse 12...60 V | 500 mm | 71.395.515 | 2,990.– | 71.395.525 | 2,990.– |
| Slave clock, minute/second pulse 12/24 V | 500 mm | 72.395.515 | 3,890.– | 72.395.525 | 3,890.– |
| Slave clock, minute pulse 12/24 V, synchronous second hand 230 VAC/50 Hz | 500 mm | 74.395.515 | 4,630.– | 74.395.525 | 4,630.– |
| Telegram slave clock, DCFport24, 24 V | 500 mm | 81.395.515 | 3,325.– | 81.395.525 | 3,325.– |
| Telegram slave clock, DCFport24, mains operated 230 V | 500 mm | 83.395.515 | 3,225.– | 83.395.525 | 3,225.– |
| RC telegram slave clock, AirPort24, mains operated 230 VAC, with outage reserve | 500 mm | 85.395.515 | 3,415.– | 85.395.525 | 3,415.– |
| NTP system clock (NTP client), synchronisation by LAN, PoE ²⁾ | 500 mm | 91.395.515 | 3,465.– | 91.395.525 | 3,465.– |

| Options | Arab. num. Suffix | Surcharge € each | Bar mark. Suffix | Surcharge € each |
|--|-------------------|------------------|------------------|------------------|
| Cube custom enamelled | -13 | on request | -13 | on request |
| Clock rims custom enamelled | -14 | on request | -14 | on request |
| Clock rims enamelled in metallic dark gun metal DB 703 | -16 | none | -16 | none |
| Low reflectivity front glasses | -51 | on request | -51 | on request |

Options – just as you like them ...

These clocks are available optionally with customised features at the surcharges as listed. Just pick your option(s) and add the appropriate suffix(es) to the Item No.

DCF77 radio controlled clocks

DCF77 radio controlled clocks of this type series will be supplied including a removable DCF77 aerial (IP 68). Thus, optimum reception quality can be achieved regardless of the final placement of the clock itself. However, DCF77 radio controlled clocks will only function correctly within a radius of approx. 1,500 km around Mainflingen (50 km east of Frankfurt/M.).

PEWETA DCFport24

PEWETA DCFport24 slave clocks require a PEWETA master clock (see from page 172 on).

PEWETA AirPort24

PEWETA AirPort24 slave clocks require an AirPort24 transmitter or repeater respectively (see page 177).

NTP

NTP system clocks require a PEWETA master clock (see from page 172 on) or an NTP time server (see page 179).

Backlighted clock cubes

for indoor and outdoor use see pages 164 and 165.

¹⁾ A removable DCF77 receiving aerial is included in delivery shipment.

²⁾ NTP system clocks of "PoE" type require a PoE (Power over Ethernet) power supply. Appropriate hardware has to be supplied by customer.



Special clocks
analog · digital
single and
double face



Special clocks

Whether you look for dust-, water- or vapour-proof clocks (acc. to IP grade 64), clocks for high temperatures in sauna cabins, pace clocks indicating split times or clocks for surgical operating rooms in hospitals or other "clean room" applications – on the following pages you will find clocks for all specific requirements ...



Wall Clocks

waterproof, steam proof, dust proof

These clocks are packaged in waterproof, steam proof and dust proof cases and thus perfectly suitable for "critical" areas with blown dust and water thrown in sheets or other demanding environments.

They are not suitable for sauna cabins. Sauna clocks may be found on page 91 only.

Case

■ cir. 300 mm diameter
white plastic case, dust- and water-proof according to IP 64 (EN 60 529).

Front glass

Flat mineral glass, black sealing ring. Also available with shock-resistant Plexiglas® XT (option).

Face

White face with large black Arabic numerals for easy, doubt-free reading even over longer distances.

Hands

Black bar-type hour and minute hands, red second hand.



41.420.311 shown

| Clock type | Item No. | € each |
|--|------------|--------|
| Quartz clock, battery operated 1.5 V | 41.420.311 | 79.- |
| DCF77 radio controlled clock, battery operated 1.5 V | 51.420.311 | 179.- |

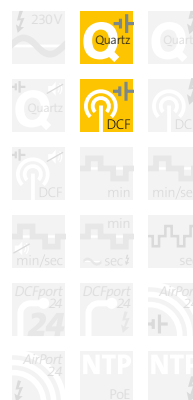
| Option | Suffix | Surcharge € each |
|--|--------|------------------|
| Shock-resistant Plexiglas® XT (instead of mineral glass) | -53 | 42.- |



Indoor
analog
single face

Type series

420



DCF77 radio controlled clocks

DCF77 radio controlled clocks will only function correctly within a radius of approx. 1,500 km around Mainflingen (50 km east of Frankfurt/M.) and under conditions of free radio propagation and may be impaired in heavily reinforced concrete structures.

Wall Clock

soundless, for relaxation rooms



Wall clock in a wooden case with soundless Quartz clockwork and creeping second hand. Excellently suited for relaxation rooms within spa facilities (**not suitable for sauna cabins**). Sauna clocks may be found on page 91 only).

Case

- cir. 220 mm diameter

Ayous wood.
Protection grade IP 40 (EN 60 529).

Front glass

Domed mineral glass.

Face

Metal, enamelled white with large black Arabic numerals.

Hands

Black bar-type hour and minute hands, red second hand.

Indoor
analog
single face

Type series

423



44.423.211 shown

| Clock type | Item No. | € each |
|---|------------|--------|
| Quartz clock, soundless, battery operated 1.5 V | 44.423.211 | 148.- |

- creeping second hand
- soundless clockwork



Sauna Slave Clocks

heat resistant

Special slave clockworks and specially treated wooden cases facilitate professional use of these clocks in private or public saunas. Suited for the use in sauna cabins (up to cir. 95 °C).

Case

- cir. 220 mm diameter
- cir. 230x230 mm

Special Ayous wood will not crack even under most severe fluctuations of temperature and humidity. Protection grade IP 40 (EN 60 529).

Front glass

Heat resistant mineral glass.

Face

Metal, enamelled white with large black Arabic numerals.

Hands

Black bar-type hour and minute hands.



71.425.211 shown

| Clock type | Dimensions | Item No. | € each |
|--------------------------------|-----------------|------------|--------|
| Slave clock, minute pulse 24 V | 220 mm diameter | 71.425.211 | 239.- |
| Slave clock, minute pulse 24 V | 230x230 mm | 71.426.211 | 229.- |

| Option | Suffix | Surcharge € each |
|---|--------|---------------------|
| Custom logo on clock face (minimum order of 50) | -47 | on request |



Indoor
analog
single face

Type series

425

Type series

426



Slave clocks

Slave clocks require a PEWETA master clock (see from page 172 on, or page 178).



71.426.211

All prices are subject to change without notice, packing and shipping cost (see page 185) as well as VAT for deliveries within Germany added. Prices shown as of January 1st, 2024. If you have any questions or require additional information, please contact us, we will gladly give advice.



Training Clocks/Pace Clocks for indoors water protected, with seconds cross



Indoor
analog
single face

Type series
430



Also available
"resistant
to thrown balls"



41.430.611 shown

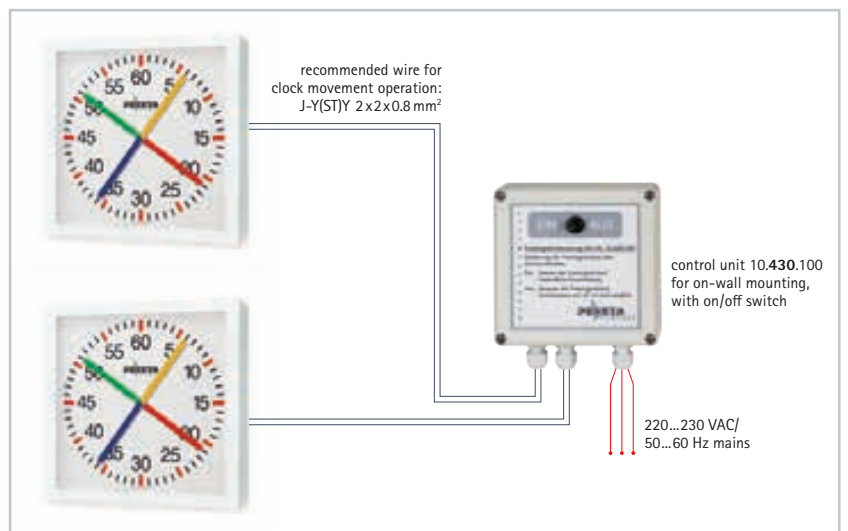
This kind of training/pace clock indicates split times during swim training/warm-up training. Times are taken by each swimmer individually. The 4-coloured seconds cross indicates the time elapsed, one complete turn corresponds to exactly 60 seconds.

For parallel operation of 2 training clocks, the slave clock type connected to the central control unit 10.430.100 is recommended. Thus an identical display (synchronous time) is always guaranteed on both training clocks connected.

Backlighted training clocks

for indoors and outdoors see pages 162 and 163.

Diagram shows 2 training clocks 71.431.611 with control unit 10.430.100



Case

■ cir. 600x600 mm very sturdy metal case, enamelled white (RAL 9016). Optionally, at a surcharge, enamelled in metallic silver grey (RAL 9006), in dark gun metal (DB 703) or custom enamelled, as listed below. A stainless steel case (1.4571 X6CrNiMoTi 17-12-2, German trade name V4A), blasted and additionally coated with a protective varnish, is available as an option. Clock movement protected according to IP54 (EN 60529).

Resistance to thrown balls acc. to DIN 18032, part 3 (option)

Wrench-off-proof mounting fixture and two-ply laminated mineral safety glass, thus suitable for ball sports facilities when durably mounted on-wall.

Clock types

■ Quartz movement, battery operated (2 x 1.5 V "Alkaline" LR20, included).

Portable, therefore suitable for mobile use.

ON/OFF switch on reverse side. With carrying handle. Setup on the edge of the pool. 2 pivoted feet ensure a firm position of clock on the ground. Or wall mounting.

■ Quartz movement, mains operated 230 VAC. **Recommended for continuous operation and for durable, fixed on-wall position.**

Wall mounting and fixed power supply only, incl. wrench-off-proof 3-point mounting fixture.

■ Slave movement, pulse operated 24 V. To be operated by fixed connection to control unit 10.430.100 only.

Recommended for synchronized, parallel operation of 2 training clocks/pace clocks 71.430.611 in securely fixed positions.

Wall mounting only, incl. 3-point wrench-off-proof mounting fixture. Control unit 10.430.100 is required for operation.

Face

High distinction white metal with red/black second bars and black numerals for easy, doubt-free reading. Reading distance cir. 30 m.

Hands

4-coloured seconds cross, intervals in second cycles.

Front glass

Flat shock-resistant Plexiglas® XT (PMMA) as standard

Function

The (swim) training/pace clock can be used by any number of swimmers simultaneously.

The crossed second hands show the time elapsed in seconds.

The swimmer will wait for a maximum of 14 seconds until the next colour of the four second hands ("his" colour) reaches the 12-o'clock-position and will then memorise the colour of "his" hand.

Upon reaching the edge of the pool (after 1 or 2 laps) the time elapsed can be read according to the position of "his" second hand.

Stainless steel V4A + varnish (option)

V4A quality stainless steel with an additional coat of protective varnish is outstandingly resistant to acids and other chlorous media and is therefore particularly suited for public swimming pools as well as for the chemical industry.

| Technical data | |
|---|----------------------|
| Operating power (quartz clock type, battery operated) | 2 x 1.5 V Mono/LR 20 |
| Operating power (quartz clock type, mains operated) | 220... 230 VAC |
| Operating power (slave clock type, pulse operated) | 24 V second pulses |
| Duration of operation in permanent use (battery operated) | cir. 1,000 hours |
| Intervals | second cycles |
| Dial sections | 0... 60 |
| Reading distance | cir. 30 m |

| Clock type | Item No. | € each |
|--|------------|--------|
| Quartz clock, battery operated 2 x 1.5 V | 41.430.611 | 960.- |
| Quartz clock, mains operated 230 VAC | 42.430.611 | 950.- |
| Slave clock, minute pulse 24 V (second cycles) | 71.430.611 | 795.- |

| Accessory | Item No. | € each |
|--|------------|--------|
| Control unit for 2 training clocks 71.430.611, operating power 220... 230 VAC/50... 60 Hz, ON/OFF switch | 10.430.100 | 349.- |

| Options | Opt.-Nr. | Surcharge € each |
|---|----------|------------------|
| Case enamelled in metallic silver grey RAL 9006 | -05 | 59.- |
| Case enamelled in metallic dark gun metal DB 703 | -06 | 59.- |
| Case custom enamelled | -10 | on request |
| Case stainless steel V4A, blasted and varnished | -22 | on request |
| Custom logo on clock face | -47 | on request |
| Resistance to thrown balls acc. to DIN 18032, part 3 (types 42.430.611 and 71.430.611 only) | -59 | 179.- |

Options – just as you like them ...

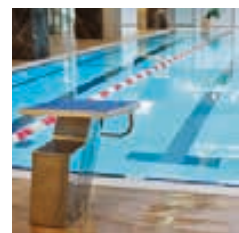
These clocks are available optionally with customised features at the surcharges as listed. Just pick your option(s) and add the appropriate suffix(es) to the Item No.

| Case colour | Suffix |
|-------------------------------------|--------|
| metallic silver grey RAL 9006 | -05 |
| dark gun metal DB 703 | -06 |
| custom enamelled | -10 |
| stainless steel V4A + clear varnish | -22 |



42.430.611 -22

▶ Clock cases made of stainless steel V4A, matted and varnished (option), are resistant to saltwater and other media containing chlorine. They are therefore excellently suited for permanent use in public swimming pools.



Indoor analog single face

Type series
430



Backlight training clocks

for indoors and outdoors see pages 162 and 163.



Training Clocks/Pace Clocks for indoors water protected, with minute and second hands



Indoor
analog
single face

Type series

431



Also available
"resistant
to thrown balls"

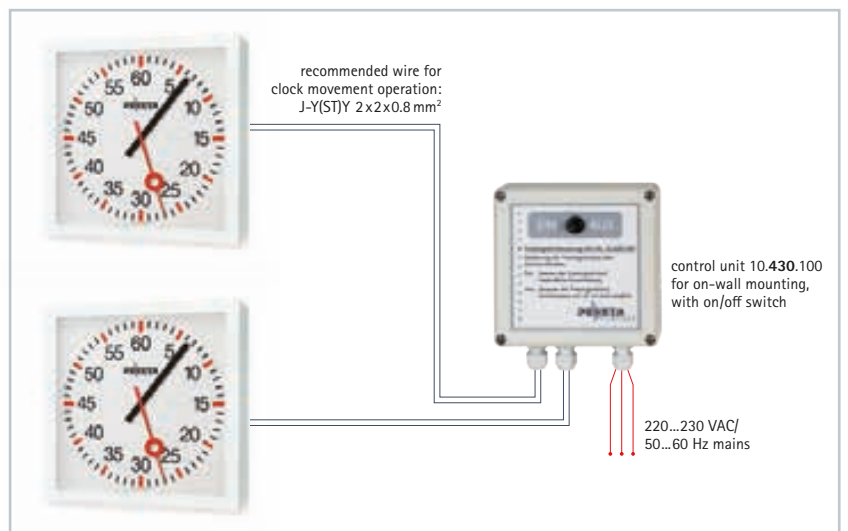


41.431.611 shown

This kind of training/pace clock indicates split times during swim training/warm-up training. Times are taken by each swimmer individually. The clock indicates the elapsed time in minutes and seconds.

For parallel operation of 2 training clocks, the slave clock type connected to the central control unit 10.430.100 is recommended. Thus an identical display (synchronous time) is always guaranteed on both training clocks connected.

Diagram shows
2 training clocks 71.431.611
with control unit 10.430.100



Case

■ cir. 600x600 mm very sturdy metal case, enamelled white (RAL 9016). Optionally, at a surcharge, enamelled in metallic silver grey (RAL 9006), in dark gun metal (DB 703) or custom enamelled, as listed below. A stainless steel case (1.4571 X6CrNiMoTi 17-12-2, German trade name V4A), blasted and additionally coated with a protective varnish, is available as an option. Clock movement protected according to IP54 (EN 60529).

Resistance to thrown balls acc. to DIN 18032, part 3 (option)

Wrench-off-proof mounting fixture and two-ply laminated mineral safety glass, thus suitable for ball sports facilities when durably mounted on-wall.

Clock types

■ Quartz movement, battery operated (2 x 1.5 V "Alkaline" LR20, included).

Portable, therefore suitable for mobile use.

ON/OFF switch on reverse side. With carrying handle. Setup on the edge of the pool. 2 pivoted feet ensure a firm position of clock on the ground. Or wall mounting.

■ Quartz movement, mains operated 230 VAC. **Recommended for continuous operation and for durable, fixed on-wall position.**

Wall mounting and fixed power supply only, incl. wrench-off-proof 3-point mounting fixture.

■ Slave movement, pulse operated 24 V. To be operated by fixed connection to control unit 10.430.100 only.

Recommended for synchronized, parallel operation of 2 training clocks/pace clocks 71.430.611 in securely fixed positions.

Wall mounting only, incl. 3-point wrench-off-proof mounting fixture. Control unit 10.430.100 is required for operation.

Face

High distinction white metal with red/black second bars and black numerals for easy, doubt-free reading. Reading distance cir. 30 m.

Hands

Black minute hand. Red second hand with "eye", intervals in second cycles.

Front glass

Flat shock-resistant Plexiglas® XT (PMMA) as standard.

Function

The (swim) training/pace clock can be used by any number of swimmers simultaneously.

The elapsed time is displayed in minutes and seconds.

The swimmer will wait for a maximum of 59 seconds until the second hand reaches the 12-o'clock-position and will then memorise the position of the minute hand.

Upon finishing a training round the time elapsed can be easily calculated (time indicated minus the minutes memorised).

Stainless steel V4A + varnish (option)

V4A quality stainless steel with an additional coat of protective varnish is outstandingly resistant to acids and other chlorous media and is therefore particularly suited for public swimming pools as well as for the chemical industry.

| Technical data | |
|---|-------------------------|
| Operating power (quartz clock type, battery operated) | 2 x 1.5 V Mono/LR 20 |
| Operating power (quartz clock type, mains operated) | 220... 230 VAC |
| Operating power (slave clock type, pulse operated) | 24 V minute/sec. pulses |
| Duration of operation in permanent use (battery operated) | cir. 1,000 hours |
| Intervals | second cycles |
| Dial sections | 0... 60 |
| Reading distance | cir. 30 m |

| Clock type | Item No. | € each |
|--|------------|---------|
| Quartz clock, battery operated 2 x 1.5 V | 41.431.611 | 1,100.- |
| Quartz clock, mains operated 230 VAC | 42.431.611 | 1,090.- |
| Slave clock, minute pulse 24 V (second cycles) | 71.431.611 | 935.- |

| Accessory | Item No. | € each |
|--|------------|--------|
| Control unit for 2 training clocks 71.431.611, operating power 220... 230 VAC/50... 60 Hz, ON/OFF switch | 10.430.100 | 349.- |

| Options | Opt.-Nr. | Surcharge € each |
|---|----------|------------------|
| Case enamelled in metallic silver grey RAL 9006 | -05 | 59.- |
| Case enamelled in metallic dark gun metal DB 703 | -06 | 59.- |
| Case custom enamelled | -10 | on request |
| Case stainless steel V4A, blasted and varnished | -22 | on request |
| Custom logo on clock face | -47 | on request |
| Resistance to thrown balls acc. to DIN 18032, part 3 (types 42.430.611 and 71.430.611 only) | -59 | 179.- |

Options – just as you like them ...

These clocks are available optionally with customised features at the surcharges as listed. Just pick your option(s) and add the appropriate suffix(es) to the Item No.

| Case colour | Suffix |
|-------------------------------------|--------|
| metallic silver grey RAL 9006 | -05 |
| dark gun metal DB 703 | -06 |
| custom enamelled | -10 |
| stainless steel V4A + clear varnish | -22 |



◀ Clock cases made of stainless steel V4A, matted and varnished (option), are resistant to saltwater and other media containing chlorine. They are therefore excellently suited for permanent use in public swimming pools.



Indoor analog single face

Type series
431



Analog Clocks for In-Wall Mounting

ideal for surgical operating rooms and other clean rooms



Indoor
analog
flush-mounted

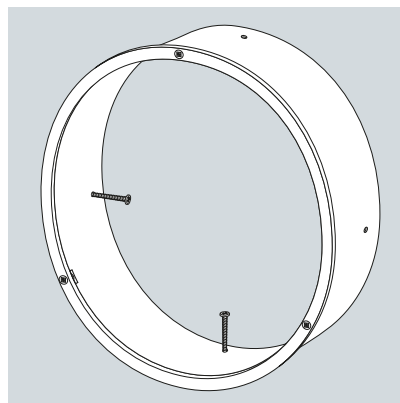
Type series

460



73.460.310
for mounting in conventional brick-and-plaster walls shown

These round analog clocks with stainless steel V4A cases were designed with the surgical operating room in mind. Mounted in-wall, flush with the surface, these reliable and accurate clocks meet all hygienic standards. Also suitable for all other demanding environments such as the pharmaceutical, beverage and food industries.



Metal mounting frame 01.460.300
for in-wall mounting in conventional brick walls
(flush with tiles or plaster)



Clock 73.460.310 for in-wall mounting
with spring-clip attachment device 01.460.301
for stud-and-panel wall mounting



Case

- cir. 301 mm diameter
- cir. 401 mm diameter

very high grade stainless steel case (1.4571 X6CrNiMoTi 17-12-2, German trade name V4A), for mounting flush with wall tiles or plaster. Visible surface with a matted finish, resistant to acids, detergents and disinfectants. In mounted condition protected against dust and moisture to IP 54 (EN 60 529).

Mounting

- built-in/plaster
- in stud-and-panel wall

A metal mounting frame for conventional brick walls or a spring-clip device for stud-and-panel walls is supplied with the clock.

Front glass

Flat mineral glass, 3 mm. Optionally treated for low reflectivity.

Face

High distinction white metal with black Arabic numerals. Face printed according to DIN 41 091.

Hands

Black bar-type hour and minute hands, red second hand.

No second hands on minute pulse 12...60 V controlled slave clocks.

Stainless steel V4A

Due to its components stainless steel V4A is not only completely impervious to detergents and disinfectants but also to acids and other aggressive media. The flush-mounted clocks of this type series are therefore particularly suited for the use surgical operating rooms and other clean rooms.



Indoor
analog
flush-mounted

Type series

460



| Mounting dimensions | | 301 mm diameter | 401 mm diameter |
|--|-------------------------|-----------------|-----------------|
| With mounting frame (conventional brick walls) | mounting frame diameter | cir. 301 mm | cir. 401 mm |
| | wall breakout diameter | cir. 301 mm | cir. 401 mm |
| | minimum depth | cir. 63 mm | cir. 63 mm |
| With spring clips (stud-and-panel walls) | clock case diameter | cir. 301 mm | cir. 401 mm |
| | wall breakout diameter | cir. 282 mm | cir. 382 mm |
| | minimum depth | cir. 60 mm | cir. 60 mm |
| Technical data | | 301 mm diameter | 401 mm diameter |
| Face | visible face diameter | cir. 250 mm | cir. 350 mm |
| | print diameter | cir. 240 mm | cir. 340 mm |

| Clock type | 301 mm diameter Item No. | € each | 401 mm diameter Item No. | € each |
|---|-----------------------------|---------|-----------------------------|---------|
| DCF77 radio controlled clock, mains operated 230 VAC ¹⁾ | 52.460.310 | 965.- | 52.460.410 | 1,098.- |
| Slave clock, minute pulse 12...60 V | 71.460.310 | 735.- | 71.460.410 | 869.- |
| Slave clock, minute/second pulse 12/24 V | 72.460.310 | 960.- | 72.460.410 | 1,094.- |
| Slave clock, minute/second pulse 12/24 V, extra low noise motion | 73.460.310 | 1,100.- | 73.460.410 | 1,234.- |
| Slave clock, minute pulse 12/24 V, synchronous second hand 230 VAC/50 Hz | 74.460.310 | 1,145.- | 74.460.410 | 1,279.- |
| Slave clock, second pulse 12/24 V, with creeping minute hand | 75.460.310 | 1,120.- | 75.460.410 | 1,254.- |
| Telegram slave clock, DCFport24, 12/24 V | 81.460.310 | 745.- | 81.460.410 | 880.- |
| RC telegram slave clock, AirPort24, mains operated 230 VAC, with outage reserve | 85.460.310 | 910.- | 85.460.410 | 1,044.- |
| NTP system clock (NTP client), synchronisation by LAN, PoE ²⁾ | 91.460.310 | 895.- | 91.460.410 | 1,029.- |

| Mounting kits (please order one frame or kit per clock) | 301 mm diameter Item No. | € each | 401 mm diameter Item No. | € each |
|---|-----------------------------|--------|-----------------------------|--------|
| Metal mounting frame for in-wall mounting in conventional brick walls (diameter x depth: 301 x 60 mm, 401 x 60 mm respectively) | 01.460.300 | none | 01.460.400 | none |
| Mounting kit for stud-and-panel walls (spring-clip attachment device/no mounting frame required) | 01.460.301 | none | 01.460.401 | none |

| Option | 301 mm Suffix | Surcharge € each | 401 mm Suffix | Surcharge € each |
|--|------------------|---------------------|------------------|---------------------|
| Front glass treated for low reflectivity | -49 | 49.- | -49 | 49.- |

DCF77 radio controlled clocks
DCF77 radio controlled clocks of this type series will be supplied including a removable DCF77 aerial (IP 68). Thus, optimum reception quality can be achieved regardless of the final placement of the clock itself. However, DCF77 radio controlled clocks will only function correctly within a radius of approx. 1,500 km around Mainflingen (50 km east of Frankfurt/M.).

PEWETA DCFport24
PEWETA DCFport24 slave clocks require a PEWETA master clock (see from page 172 on).

PEWETA AirPort24
PEWETA AirPort24 slave clocks require an AirPort24 transmitter or repeater respectively (see page 177).

NTP
NTP system clocks require a PEWETA master clock (see from page 172 on) or an NTP time server (see page 179).

¹⁾A removable DCF77 receiving aerial (IP 68) is included in delivery shipment.

²⁾NTP system clocks of "PoE" type require a PoE (Power over Ethernet) power supply. Appropriate hardware has to be supplied by customer.

Analog Clocks for In-Wall Mounting

ideal for surgical operating rooms and other clean rooms



Indoor
analog
flush-mounted

Type series

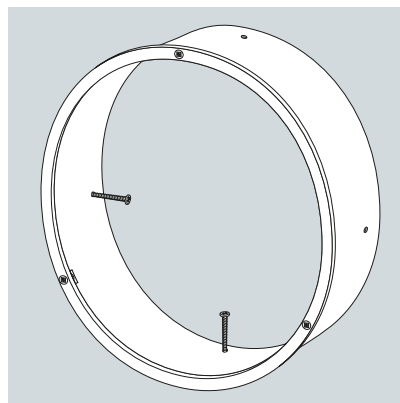
460



73.460.320

for mounting in conventional brick-and-plaster walls shown

These round analog clocks with stainless steel V4A cases were designed with the surgical operating room in mind. Mounted in-wall, flush with the surface, these reliable and accurate clocks meet all hygienic standards. Also suitable for all other demanding environments such as the pharmaceutical, beverage and food industries.



Metal mounting frame 01.460.300
for in-wall mounting in conventional brick walls
(flush with tiles or plaster)



Clock 73.460.320 for in-wall mounting
with spring-clip attachment device 01.460.301
for stud-and-panel wall mounting



Case

- cir. 301 mm diameter
- cir. 401 mm diameter

very high grade stainless steel case (1.4571 X6CrNiMoTi 17-12-2, German trade name V4A), for mounting flush with wall tiles or plaster. Visible surface with a matted finish, resistant to acids, detergents and disinfectants. In mounted condition protected against dust and moisture to IP 54 (EN 60 529).

Mounting

- built-in/plaster
- in stud-and-panel wall

A metal mounting frame for conventional brick walls or a spring-clip device for stud-and-panel walls is supplied with the clock.

Front glass

Flat mineral glass, 3 mm. Optionally treated for low reflectivity.

Face

High distinction white metal with black DIN bar markings. Face printed according to DIN 41 091.

Hands

Pointed black bar-type hour and minute hands, red second hand.

No second hands on minute pulse 12...60 V controlled slave clocks.

Stainless steel V4A

Due to its components stainless steel V4A is not only completely impervious to detergents and disinfectants but also to acids and other aggressive media. The flush-mounted clocks of this type series are therefore particularly suited for the use surgical operating rooms and other clean rooms.



Indoor
analog
flush-mounted

Type series

460



| Mounting dimensions | | 301 mm diameter | 401 mm diameter |
|--|-------------------------|-----------------|-----------------|
| With mounting frame (conventional brick walls) | mounting frame diameter | cir. 301 mm | cir. 401 mm |
| | wall breakout diameter | cir. 301 mm | cir. 401 mm |
| | minimum depth | cir. 63 mm | cir. 63 mm |
| With spring clips (stud-and-panel walls) | clock case diameter | cir. 301 mm | cir. 401 mm |
| | wall breakout diameter | cir. 282 mm | cir. 382 mm |
| | minimum depth | cir. 60 mm | cir. 60 mm |
| Technical data | | 301 mm diameter | 401 mm diameter |
| Face | visible face diameter | cir. 250 mm | cir. 350 mm |
| | print diameter | cir. 240 mm | cir. 340 mm |

| Clock type | 301 mm diameter Item No. | € each | 401 mm diameter Item No. | € each |
|---|-----------------------------|---------|-----------------------------|---------|
| DCF77 radio controlled clock, mains operated 230 VAC ¹⁾ | 52.460.320 | 965.- | 52.460.420 | 1,098.- |
| Slave clock, minute pulse 12...60 V | 71.460.320 | 735.- | 71.460.420 | 869.- |
| Slave clock, minute/second pulse 12/24 V | 72.460.320 | 960.- | 72.460.420 | 1,094.- |
| Slave clock, minute/second pulse 12/24 V, extra low noise motion | 73.460.320 | 1,100.- | 73.460.420 | 1,234.- |
| Slave clock, minute pulse 12/24 V, synchronous second hand 230 VAC/50 Hz | 74.460.320 | 1,145.- | 74.460.420 | 1,279.- |
| Slave clock, second pulse 12/24 V, with creeping minute hand | 75.460.320 | 1,120.- | 75.460.420 | 1,254.- |
| Telegram slave clock, DCFport24, 12/24 V | 81.460.320 | 745.- | 81.460.420 | 880.- |
| RC telegram slave clock, AirPort24, mains operated 230 VAC, with outage reserve | 85.460.320 | 910.- | 85.460.420 | 1,044.- |
| NTP system clock (NTP client), synchronisation by LAN, PoE ³⁾ | 91.460.320 | 895.- | 91.460.420 | 1,029.- |

| Mounting kits (please order one frame or kit per clock) | 301 mm diameter Item No. | € each | 401 mm diameter Item No. | € each |
|---|-----------------------------|--------|-----------------------------|--------|
| Metal mounting frame for in-wall mounting in conventional brick walls (diameter x depth: 301 x 60 mm, 401 x 60 mm respectively) | 01.460.300 | none | 01.460.400 | none |
| Mounting kit for stud-and-panel walls (spring-clip attachment device/no mounting frame required) | 01.460.301 | none | 01.460.401 | none |

| Option | 301 mm Suffix | Surcharge € each | 401 mm Suffix | Surcharge € each |
|--|------------------|---------------------|------------------|---------------------|
| Front glass treated for low reflectivity | -49 | 49.- | -49 | 49.- |

DCF77 radio controlled clocks
DCF77 radio controlled clocks of this type series will be supplied including a removable DCF77 aerial (IP 68). Thus, optimum reception quality can be achieved regardless of the final placement of the clock itself. However, DCF77 radio controlled clocks will only function correctly within a radius of approx. 1,500 km around Mainflingen (50 km east of Frankfurt/M.).

PEWETA DCFport24
PEWETA DCFport24 slave clocks require a PEWETA master clock (see from page 172 on).

PEWETA AirPort24
PEWETA AirPort24 slave clocks require an AirPort24 transmitter or repeater respectively (see page 177).

NTP
NTP system clocks require a PEWETA master clock (see from page 172 on) or an NTP time server (see page 179).

¹⁾A removable DCF77 receiving aerial (IP 68) is included in delivery shipment.

²⁾NTP system clocks of "PoE" type require a PoE (Power over Ethernet) power supply. Appropriate hardware has to be supplied by customer.

Analog Clocks for In-Wall Mounting

ideal for surgical operating rooms and other clean rooms



Indoor
analog
flush-mounted

Type series

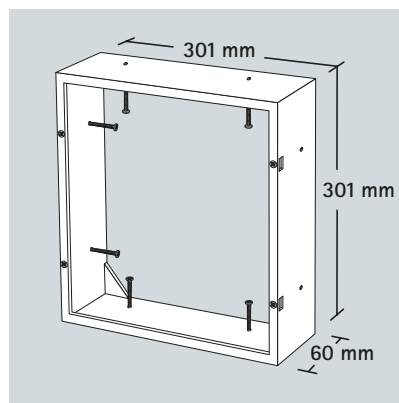
470



73.470.310

for mounting in conventional brick-and-plaster walls shown

These square analog clocks with stainless steel V4A cases were designed with the surgical operating room in mind. Mounted in-wall, flush with the surface, these reliable and accurate clocks meet all hygienic standards. Also suitable for all other demanding environments such as the pharmaceutical, beverage and food industries.



Metal mounting frame 01.470.300 for in-wall mounting in conventional brick walls (flush with tiles or plaster)



Clock 73.470.310 for in-wall mounting with spring-clip attachment device 01.470.301 for stud-and-panel wall mounting



Case

■ cir. 301 x 301 mm
very high grade stainless steel case (1.4571 X6CrNiMoTi 17-12-2, German trade name V4A), for mounting flush with wall tiles or plaster. Visible surface with a matted finish, resistant to acids, detergents and disinfectants. In mounted condition protected against dust and moisture to IP 54 (EN 60 529).

Mounting

■ built-in/plaster
■ in stud-and-panel wall
■ on-wall mounting (optional)
A metal mounting frame for conventional brick walls or a spring-clip device for stud-and-panel walls is supplied with the clock. Optionally, at a surcharge, the clock may also be configured for on-wall mounting.

Front glass

Flat mineral glass, 3 mm. Optionally treated for low reflectivity.

Face

High distinction white metal with black Arabic numerals. Face printed according to DIN 41 091.

Hands

Black bar-type hour and minute hands, red second hand.
No second hands on minute pulse 12...60 V controlled slave clocks.

Stainless steel V4A

Due to its components stainless steel V4A is not only completely impervious to detergents and disinfectants but also to acids and other aggressive media. The flush-mounted clocks of this type series are therefore particularly suited for the use surgical operating rooms and other clean rooms.

| Mounting dimensions | with mounting frame | for stud-and-panel walls |
|--|---------------------------------------|--------------------------|
| Clock case (width x height) | cir. 301 x 301 mm | cir. 301 x 301 mm |
| Wall breakout (width x height) | cir. 301 x 301 mm | cir. 282 x 277 mm |
| Depth | cir. 63 mm | cir. 60 mm |
| Technical data | | |
| Face | print diameter | cir. 235 mm |
| | face dimensions | cir. 270 x 270 mm |
| Power consumption | slave clock, minute pulse 24 V | cir. 6 mA |
| | slave clock, minute/second pulse 24 V | cir. 12 mA |
| Clock type | | Item No. € each |
| DCF77 radio controlled clock, mains operated 230 VAC ¹⁾ | | 52.470.310 965.– |
| Slave clock, minute pulse 12...60 V | | 71.470.310 735.– |
| Slave clock, minute/second pulse 12/24 V | | 72.470.310 960.– |
| Slave clock, minute/second pulse 12/24 V, extra low noise motion | | 73.470.310 1,100.– |
| Slave clock, minute pulse 12/24 V, synchronous second hand 230 VAC/50 Hz | | 74.470.310 1,145.– |
| Slave clock, second pulse 12/24 V, with creeping minute hand | | 75.470.310 1,120.– |
| Telegram slave clock, DCFport24, 12/24 V | | 81.470.310 745.– |
| RC telegram slave clock, AirPort24, mains operated 230 VAC, with outage reserve | | 85.470.310 910.– |
| NTP system clock (NTP client), synchronisation by LAN, PoE ²⁾ | | 91.470.310 895.– |
| Mounting kits (please order one frame or kit per clock) | | Item No. € each |
| Metal mounting frame for in-wall mounting in conventional brick walls | | 01.470.300 none |
| Mounting kit for stud-and-panel walls (spring-clip attachment device/no mounting frame required) | | 01.470.301 none |
| Case for on-wall mounting (stainless steel V4A) | | 01.470.302 269.– |
| Option | Suffix | Surcharge € each |
| Front glass treated for low reflectivity | -49 | 49.– |



Indoor analog flush-mounted

Type series

470



DCF77 radio controlled clocks

DCF77 radio controlled clocks of this type series will be supplied including a removable DCF77 aerial (IP 68). Thus, optimum reception quality can be achieved regardless of the final placement of the clock itself. However, DCF77 radio controlled clocks will only function correctly within a radius of approx. 1,500 km around Mainflingen (50 km east of Frankfurt/M.).

PEWETA DCFport24

PEWETA DCFport24 slave clocks require a PEWETA master clock (see from page 172 on).

PEWETA AirPort24

PEWETA AirPort24 slave clocks require an AirPort24 transmitter or repeater respectively (see page 177).

NTP

NTP system clocks require a PEWETA master clock (see from page 172 on) or an NTP time server (see page 179).

¹⁾A removable DCF77 receiving aerial (IP 68) is included in delivery shipment.

²⁾NTP system clocks of "PoE" type require a PoE (Power over Ethernet) power supply. Appropriate hardware has to be supplied by customer.



Analog Clocks for In-Wall Mounting

ideal for surgical operating rooms and other clean rooms



Indoor
analog
flush-mounted

Type series

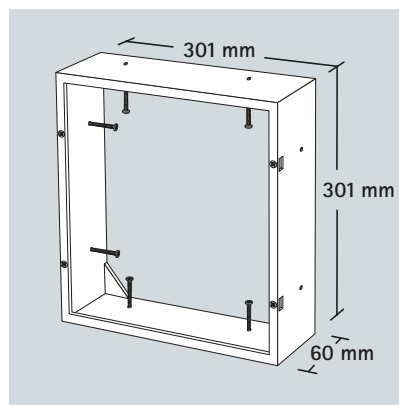
470



73.470.320

for mounting in conventional brick-and-plaster walls shown

These square analog clocks with stainless steel V4A cases were designed with the surgical operating room in mind. Mounted in-wall, flush with the surface, these reliable and accurate clocks meet all hygienic standards. Also suitable for all other demanding environments such as the pharmaceutical, beverage and food industries.



Metal mounting frame 01.470.300 for in-wall mounting in conventional brick walls (flush with tiles or plaster)



Clock 73.470.330 (with fine-line markings) for in-wall mounting with spring-clip attachment device 01.470.301 for stud-and-panel wall mounting



Case

■ cir. 301 x 301 mm
very high grade stainless steel case (1.4571 X6CrNiMoTi 17-12-2, German trade name V4A), for mounting flush with wall tiles or plaster. Visible surface with a matted finish, resistant to acids, detergents and disinfectants. In mounted condition protected against dust and moisture to IP 54 (EN 60 529).

Mounting

- built-in/plaster
- in stud-and-panel wall
- on-wall mounting (optional)

A metal mounting frame for conventional brick walls or a spring-clip device for stud-and-panel walls is supplied with the clock. Optionally, at a surcharge, the clock may also be configured for on-wall mounting.

Front glass

Flat mineral glass, 3 mm. Optionally treated for low reflectivity.

Face

High distinction white metal with black DIN bar or black fine-line markings. Face printed according to DIN 41 091.

Hands

Black bar-type hour and minute hands, red second hand.

No second hands on minute pulse 12...60 V controlled slave clocks.

Stainless steel V4A

Due to its components stainless steel V4A is not only completely impervious to detergents and disinfectants but also to acids and other aggressive media. The flush-mounted clocks of this type series are therefore particularly suited for the use surgical operating rooms and other clean rooms.



Indoor
analog
flush-mounted

Type series

470



DCF77 radio controlled clocks

DCF77 radio controlled clocks of this type series will be supplied including a removable DCF77 aerial (IP 68). Thus, optimum reception quality can be achieved regardless of the final placement of the clock itself. However, DCF77 radio controlled clocks will only function correctly within a radius of approx. 1,500 km around Mainflingen (50 km east of Frankfurt/M.).

PEWETA DCFport24

PEWETA DCFport24 slave clocks require a PEWETA master clock (see from page 172 on).

PEWETA AirPort24

PEWETA AirPort24 slave clocks require an AirPort24 transmitter or repeater respectively (see page 177).

NTP

NTP system clocks require a PEWETA master clock (see from page 172 on) or an NTP time server (see page 179).

| Mounting dimensions | with mounting frame | for stud-and-panel walls |
|--------------------------------|---------------------------------------|--------------------------|
| Clock case (width x height) | cir. 301 x 301 mm | cir. 301 x 301 mm |
| Wall breakout (width x height) | cir. 301 x 301 mm | cir. 282 x 277 mm |
| Depth | cir. 63 mm | cir. 60 mm |
| Technical data | | |
| Face | print diameter | cir. 235 mm |
| | face dimensions | cir. 270 x 270 mm |
| Power consumption | slave clock, minute pulse 24 V | cir. 6 mA |
| | slave clock, minute/second pulse 24 V | cir. 12 mA |

| Clock type | DIN bars Item No. | € each | fine-line Item No. | € each |
|---|----------------------|---------|-----------------------|---------|
| DCF77 radio controlled clock, mains operated 230 VAC ¹⁾ | 52.470.320 | 965.- | 52.470.330 | 965.- |
| Slave clock, minute pulse 12...60 V | 71.470.320 | 735.- | 71.470.330 | 735.- |
| Slave clock, minute/second pulse 12/24 V | 72.470.320 | 960.- | 72.470.330 | 960.- |
| Slave clock, minute/second pulse 12/24 V, extra low noise motion | 73.470.320 | 1,100.- | 73.470.330 | 1,100.- |
| Slave clock, minute pulse 12/24 V, synchronous second hand 230 VAC/50 Hz | 74.470.320 | 1,145.- | 74.470.330 | 1,145.- |
| Slave clock, second pulse 12/24 V, with creeping minute hand | 75.470.320 | 1,120.- | 75.470.330 | 1,120.- |
| Telegram slave clock, DCFport24, 12/24 V | 81.470.320 | 745.- | 81.470.330 | 745.- |
| RC telegram slave clock, AirPort24, mains operated 230 VAC, with outage reserve | 85.470.320 | 910.- | 85.470.330 | 910.- |
| NTP system clock (NTP client), synchronisation by LAN, PoE ³⁾ | 91.470.320 | 895.- | 91.470.330 | 895.- |

| Mounting kits (please order one frame or kit per clock) | Item No. | € each |
|--|------------|--------|
| Metal mounting frame for in-wall mounting in conventional brick walls | 01.470.300 | none |
| Mounting kit for stud-and-panel walls (spring-clip attachment device/no mounting frame required) | 01.470.301 | none |
| Case for on-wall mounting (stainless steel V4A) | 01.470.302 | 269.- |

| Option | Suffix | Surcharge € each |
|--|--------|---------------------|
| Front glass treated for low reflectivity | -49 | 49.- |

¹⁾ A removable DCF77 receiving aerial (IP 68) is included in delivery shipment.

²⁾ NTP system clocks of "PoE" type require a PoE (Power over Ethernet) power supply. Appropriate hardware has to be supplied by customer.

Analog Clocks for In-Wall Mounting

with digital stopwatch display, ideal for surgical operating rooms



Indoor
analog/digital
flush-mounted

Type series

480



73.480.310 shown

These analog clocks with LED digital stopwatch display with stainless steel V4A cases were designed with the surgical operating room in mind. Mounted in-wall, flush with the surface, these reliable and accurate clocks meet all hygienic standards. Also suitable for all other demanding environments such as the pharmaceutical, beverage and food industries.



02.498.101



02.498.102

For operating the stopwatch mode of the LED digital display we provide different remote control units in stainless steel cases. For a detailed product description please see page 110.



Case

■ cir. 301 x 387 mm
very high grade stainless steel case (1.4571 X6CrNiMoTi 17-12-2, German trade name V4A), for mounting flush with wall tiles or plaster. Visible surface with a matted finish, resistant to acids, detergents and disinfectants. In mounted condition protected against dust and moisture to IP 54 (EN 60 529).

Mounting

■ built-in/plaster
■ in stud-and-panel wall
■ on-wall mounting (optional)
A metal mounting frame for conventional brick walls or a spring-clip device for stud-and-panel walls is supplied with the clock. Optionally, at a surcharge, the clock may also be configured for on-wall mounting.

Front glass

Flat mineral glass, 3 mm. Glass on digital display is treated for low reflectivity. On analog face, low reflective glass is available as an option.

Face

High distinction white metal with black Arabic numerals. Face printed according to DIN 41 091.

Hands

Black bar-type hour and minute hands, red second hand.
No second hands on minute pulse 12...60 V controlled slave clocks.

LED digital display

6-digit 7-segment LED bars, digit colour red (option: amber or green). Digit height 25 mm. Automatic brightness control. Power supply is 230 V AC mains as standard, 12 V DC (option). Power loss reserve: Time telegram/pulse storage to cover cir. 100 hours.

Stopwatch mode

The 6-digit display will show hours, minutes and seconds, counting up from start. The stopwatch system is controlled by a remote control unit (as an extra), for technical data see page 110.

Stainless steel V4A

Due to its components stainless steel V4A is not only completely impervious to detergents and disinfectants but also to acids and other aggressive media. The flush-mounted clocks of this type series are therefore particularly suited for the use surgical operating rooms and other clean rooms.

| Mounting dimensions | with mounting frame | for stud-and-panel walls |
|--------------------------------|---------------------|--------------------------|
| clock case (width x height) | cir. 301 x 387 mm | cir. 301 x 387 mm |
| wall breakout (width x height) | cir. 301 x 387 mm | cir. 282 x 362 mm |
| depth | cir. 81 mm | cir. 78 mm |

| Technical data | | |
|--------------------------|--|-------------------|
| Analog face | print diameter | cir. 235 mm |
| | face dimensions | cir. 270 x 270 mm |
| Digit height | digital display | 25 mm |
| Electrical values | operating voltage for digital display | 230 VAC |
| | optional operating voltage for digital display | 12 VDC |
| | power consumption LED display | cir. 9 VA |

| Clock type | Item No. | € each |
|---|------------|---------|
| DCF77 radio controlled clock, mains operated 230 VAC ¹⁾ | 52.480.310 | 1,695.– |
| Slave clock, minute pulse 12...60 V | 71.480.310 | 1,490.– |
| Slave clock, minute/second pulse 12/24 V | 72.480.310 | 1,715.– |
| Slave clock, minute/second pulse 12/24 V, extra low noise motion | 73.480.310 | 1,855.– |
| Slave clock, minute pulse 12/24 V, synch. second hand 230 VAC/50 Hz | 74.480.310 | 1,900.– |
| Slave clock, second pulse 12/24 V, with creeping minute hand | 75.480.310 | 1,875.– |
| Telegram slave clock, DCFport24, 12/24 V | 81.480.310 | 1,530.– |
| RC telegram slave clock, AirPort24, mains operated 230 VAC, with outage reserve | 85.480.310 | 1,694.– |
| NTP system clock (NTP client), synchronisation by LAN, PoE ²⁾ | 91.480.310 | 1,679.– |

| Mounting kits (please order one frame or kit per clock) | Item No. | € each |
|--|------------|--------|
| Metal mounting frame (width x height x depth: cir. 301 x 387 x 78 mm) for in-wall mounting in conventional brick walls | 01.480.300 | none |
| Mounting kit for stud-and-panel walls (spring-clip attachment device/no mounting frame required) | 01.480.301 | none |
| Case for on-wall mounting (stainless steel V4A) | 01.480.302 | 295.– |

| Accessories | Item No. | € each |
|---|------------|--------|
| Remote control with mounting frame for in-wall mounting, stainless steel V4A | 02.498.100 | 795.– |
| Remote control for stud-and-panel wall mounting by means of spring clip attachment device, stainless steel V4A (no mounting frame required) | 02.498.101 | 795.– |
| Hand-held remote control, stainless steel V4A | 02.498.102 | 795.– |

| Options | Suffix | Surcharge € each |
|--|--------|------------------|
| Front glass of analog clock treated for low reflectivity | -49 | 49.– |
| Mains adapter 12 V DC for LED digital display | -70 | none |
| Amber (instead of red) digital display | -78 | on request |
| Green (instead of red) digital display | -79 | on request |
| Date display during inactivity of stopwatch mode | -81 | on request |

¹⁾ A remotable DCF77 receiving aerial (IP 68) is included in delivery shipment.

²⁾ NTP system clocks of "PoE" type require a PoE (Power over Ethernet) power supply. Appropriate hardware has to be supplied by customer.



Indoor analog/digital flush-mounted

Type series
480



DCF77 radio controlled clocks
DCF77 radio controlled clocks of this type series will be supplied including a remotable DCF77 aerial (IP 68). Thus, optimum reception quality can be achieved regardless of the final placement of the clock itself. However, DCF77 radio controlled clocks will only function correctly within a radius of approx. 1,500 km around Mainflingen (50 km east of Frankfurt/M.).

PEWETA DCFport24
PEWETA DCFport24 slave clocks require a PEWETA master clock (see from page 172 on).

PEWETA AirPort24
PEWETA AirPort24 slave clocks require an AirPort24 transmitter or repeater respectively (see page 177).

NTP
NTP system clocks require a PEWETA master clock (see from page 172 on) or an NTP time server (see page 179).



Analog Clocks for In-Wall Mounting

with digital stopwatch display, ideal for surgical operating rooms



Indoor
analog/digital
flush-mounted

Type series
480



73.480.320 shown

These analog clocks with LED digital stopwatch display with stainless steel V4A cases were designed with the surgical operating room in mind. Mounted in-wall, flush with the surface, these reliable and accurate clocks meet all hygienic standards. Also suitable for all other demanding environments such as the pharmaceutical, beverage and food industries.



02.498.101



02.498.102

For operating the stopwatch mode of the LED digital display we provide different remote control units in stainless steel cases. For a detailed product description please see page 110.



Case

■ cir. 301 x 387 mm
very high grade stainless steel case (1.4571 X6CrNiMoTi 17-12-2, German trade name V4A), for mounting flush with wall tiles or plaster. Visible surface with a matted finish, resistant to acids, detergents and disinfectants. In mounted condition protected against dust and moisture to IP 54 (EN 60 529).

Mounting

■ built-in/plaster
■ in stud-and-panel wall
■ on-wall mounting (optional)
A metal mounting frame for conventional brick walls or a spring-clip device for stud-and-panel walls is supplied with the clock. Optionally, at a surcharge, the clock may also be configured for on-wall mounting.

Front glass

Flat mineral glass, 3 mm. Glass on digital display is treated for low reflectivity. On analog face, low reflective glass is available as an option.

Face

High distinction white metal with black DIN bar markings. Face printed according to DIN 41 091.

Hands

Black bar-type hour and minute hands, red second hand.
No second hands on minute pulse 12...60 V controlled slave clocks.

LED digital display

6-digit 7-segment LED bars, digit colour red (option: amber or green). Digit height 25 mm. Automatic brightness control. Power supply is 230 VAC mains as standard, 12 V DC (option). Power loss reserve: Time telegram/pulse storage to cover cir. 100 hours.

Stopwatch mode

The 6-digit display will show hours, minutes and seconds, counting up from start. The stopwatch system is controlled by a remote control unit (as an extra), for technical data see page 110.

Stainless steel V4A

Due to its components stainless steel V4A is not only completely impervious to detergents and disinfectants but also to acids and other aggressive media. The flush-mounted clocks of this type series are therefore particularly suited for the use surgical operating rooms and other clean rooms.

| Mounting dimensions | with mounting frame | for stud-and-panel walls |
|--------------------------------|---------------------|--------------------------|
| clock case (width x height) | cir. 301 x 387 mm | cir. 301 x 387 mm |
| wall breakout (width x height) | cir. 301 x 387 mm | cir. 282 x 362 mm |
| depth | cir. 81 mm | cir. 78 mm |

| Technical data | | |
|--------------------------|--|-------------------|
| Analog face | print diameter | cir. 235 mm |
| | face dimensions | cir. 270 x 270 mm |
| Digit height | digital display | 25 mm |
| Electrical values | operating voltage for digital display | 230 VAC |
| | optional operating voltage for digital display | 12 VDC |
| | power consumption LED display | cir. 9 VA |

| Clock type | DIN bars Item No. | € each | fine-line Item No. | € each |
|---|----------------------|---------|-----------------------|---------|
| DCF77 radio controlled clock, mains op. 230 VAC ¹⁾ | 52.480.320 | 1,695.– | 52.480.330 | 1,695.– |
| Slave clock, minute pulse 12...60 V | 71.480.320 | 1,490.– | 71.480.330 | 1,490.– |
| Slave clock, minute/second pulse 12/24 V | 72.480.320 | 1,715.– | 72.480.330 | 1,715.– |
| Slave clock, minute/second pulse 12/24 V, extra low noise motion | 73.480.320 | 1,855.– | 73.480.330 | 1,855.– |
| Slave clock, minute pulse 12/24 V, synch. second hand 230 VAC/50 Hz | 74.480.320 | 1,900.– | 74.480.330 | 1,900.– |
| Slave clock, second pulse 12/24 V, with creeping minute hand | 75.480.320 | 1,875.– | 75.480.330 | 1,875.– |
| Telegram slave clock, DCFport24, 12/24 V | 81.480.320 | 1,530.– | 81.480.330 | 1,530.– |
| RC telegram slave clock, AirPort24, mains operated 230 VAC, with outage reserve | 85.480.320 | 1,694.– | 85.480.330 | 1,694.– |
| NTP system clock (NTP client), synchronisation by LAN, PoE ²⁾ | 91.480.320 | 1,679.– | 91.480.330 | 1,679.– |

| Mounting kits (please order one frame or kit per clock) | Item No. | € each |
|--|------------|--------|
| Metal mounting frame (width x height x depth: cir. 301 x 387 x 78 mm) for in-wall mounting in conventional brick walls | 01.480.300 | none |
| Mounting kit for stud-and-panel walls (spring-clip attachment device/no mounting frame required) | 01.480.301 | none |
| Case for on-wall mounting (stainless steel V4A) | 01.480.302 | 295.– |

| Accessories | Item No. | € each |
|---|------------|--------|
| Remote control w. mounting frame for in-wall mounting, stainless steel V4A | 02.498.100 | 795.– |
| Remote control for stud-and-panel wall mounting by means of spring clip attachment device, stainless steel V4A (no mounting frame required) | 02.498.101 | 795.– |
| Hand-held remote control, stainless steel V4A | 02.498.102 | 795.– |

| Options | Suffix | Surcharge € each |
|--|--------|---------------------|
| Front glass of analog clock treated for low reflectivity | -49 | 49.– |
| Mains adapter 12 V DC for LED digital display | -70 | none |
| Amber (instead of red) digital display | -78 | on request |
| Green (instead of red) digital display | -79 | on request |
| Date display during inactivity of stopwatch mode | -81 | on request |

¹⁾ A remotable DCF77 receiving aerial (IP 68) is included in delivery shipment.

²⁾ NTP system clocks of "PoE" type require a PoE (Power over Ethernet) power supply. Appropriate hardware has to be supplied by customer.

All prices are subject to change without notice, packing and shipping cost (see page 185) as well as VAT for deliveries within Germany added. Prices shown as of January 1st, 2024. If you have any questions or require additional information, please contact us, we will gladly give advice.



Indoor
analog/digital
flush-mounted

Type series
480



DCF77 radio controlled clocks
DCF77 radio controlled clocks of this type series will be supplied including a remotable DCF77 aerial (IP 68). Thus, optimum reception quality can be achieved regardless of the final placement of the clock itself. However, DCF77 radio controlled clocks will only function correctly within a radius of approx. 1,500 km around Mainflingen (50 km east of Frankfurt/M.).

PEWETA DCFport24
PEWETA DCFport24 slave clocks require a PEWETA master clock (see from page 172 on).

PEWETA AirPort24
PEWETA AirPort24 slave clocks require an AirPort24 transmitter or repeater respectively (see page 177).

NTP
NTP system clocks require a PEWETA master clock (see from page 172 on) or an NTP time server (see page 179).



LED Digital Clocks for In-Wall Mounting

with stopwatch mode (optional), ideal for surgical operating rooms



Indoor digital flush-mounted

Type series
490



These LED digital clocks with stainless steel V4A cases were designed with the surgical operating room in mind. They are mounted in-wall, flush with the surface, to meet all hygienic standards.

Configured in this type of case or in any other case adapted to customer's wishes, e. g.

- for on-wall mounting,
- for desk-top use or
- as a double faced clock,

these clocks can be used in any demanding environment, such as the pharmaceutical, beverage and food industries, requiring accurate and dependable time information.



83.490.550 shown



2 x 83.490.550 -89 and 01.490.503 shown

Double faced clock with ceiling bracket, stainless steel V4A



02.498.101



02.498.102

For operating the stopwatch mode (option) we provide different remote control units in stainless steel cases. For a detailed product description please see page 110.



Case

■ cir. 455 x 150 mm, very high grade stainless steel case (1.4571 X6CrNiMoTi 17-12-2, German trade name V4A), for mounting flush with wall tiles or plaster. Visible surface with a matted finish, resistant to acids, detergents and disinfectants. In mounted condition protected against dust and moisture to IP 54 (EN 60 529).

Mounting

- built-in/plaster
- in stud-and-panel wall
- on-wall mounting (optional)
- double faced clocks may be suspended from the ceiling on brackets (optional).

A metal mounting frame for conventional brick walls or a spring-clip device for stud-and-panel walls is supplied with the clock. Optionally, at a surcharge, the clock may also be configured for on-wall mounting or as a double faced version.

LED digital display

6-digits, 2 each for hours, minutes and seconds. 7-segment LED bars, red as standard, amber or green as options. Digit height 57 mm for hour, minute and second. Second digit height 38 mm as an option. Automatic brightness control. Readability is excellent even at extremely sharp angles.

Front glass

Flat mineral glass, 3 mm, treated for low reflectivity.

Power supply

230 VAC/50 Hz is standard, 12 VDC mains is optional. Under specific circumstances, the bus voltage may suffice to operate PEWETA *DCFport24* version clocks². Existing 2-wire or 4-wire slave clock bus lines may be re-used for 12 VDC or PEWETA *DCFport24* versions.

¹A remotable DCF77 receiving aerial (IP 68) is included in delivery shipment.

²Limited number of clocks within a system/network.

³NTP system clocks of "PoE" type require a PoE (Power over Ethernet) power supply. Appropriate hardware has to be supplied by customer.

⁴NTP system clocks require a LAN connection. Appropriate hardware has to be supplied by customer.

Stopwatch mode (optional)

These clocks can be fitted with a count up/split time stopwatch mode. The 6-digit LED display will show hours, minutes and seconds, counting up from start. The stopwatch system is controlled by a wire-based remote control unit (as an extra), for technical data see page 110.

Stainless steel V4A

Due to its components stainless steel V4A is not only completely impervious to detergents and disinfectants but also to acids and other aggressive media. The flush-mounted clocks of this type series are therefore particularly suited for the use surgical operating rooms and other clean rooms.

| Mounting dimensions | with mounting frame | for stud-and-panel walls |
|--------------------------------|---------------------|--------------------------|
| clock case (width x height) | cir. 455 x 150 mm | cir. 455 x 150 mm |
| wall breakout (width x height) | cir. 455 x 150 mm | cir. 426 x 138 mm |
| depth | cir. 73 mm | cir. 60 mm |

| Technical data | | |
|-------------------|----------------------------|-----------------|
| Digit height | hour, minute, second | 57 mm |
| | second (option) | 38 mm |
| Electrical values | operating voltage | 230 VAC |
| | operating voltage (option) | 12 VDC |
| | power consumption | cir. 9 VA |
| | power loss reserve | cir. 100 hours. |

| Clock type | Operating voltage | Item No. | € each |
|---|-------------------|------------|---------|
| Quartz clock (in connection with PEWETA data bus RS485 master or slave option only) | 230 VAC | 42.490.550 | 1,309.– |
| DCF77 radio controlled clock ¹ | 230 VAC | 52.490.550 | 1,469.– |
| Slave clock, minute pulse 24 V | 230 VAC | 71.490.550 | 1,399.– |
| Telegram slave clock, <i>DCFport24</i> , 24 V ² | <i>DCFport24</i> | 81.490.550 | 1,399.– |
| Telegram slave clock, <i>DCFport24</i> , 12/24 V | 230 VAC | 83.490.550 | 1,399.– |
| RC telegram slave clock, <i>AirPort24</i> , with outage reserve | 230 VAC | 85.490.550 | 1,509.– |
| NTP system clock (NTP client), synchronisation by LAN ¹⁾³ | PoE | 91.490.550 | 1,459.– |
| NTP system clock (NTP client), synchronisation by LAN ¹⁾⁴ | 230 VAC | 93.490.550 | 1,489.– |

| Mounting kits (please order one frame or kit per clock) | Item No. | € each |
|--|------------|--------|
| Metal mounting frame (width x height x depth: cir. 455 x 150 x 70 mm) for in-wall mounting in conventional brick walls | 01.490.500 | none |
| Mounting kit for stud-and-panel walls (spring-clip attachment device/no mounting frame required) | 01.490.501 | none |
| Case for on-wall mounting (stainless steel V4A) | 01.490.502 | 295.– |
| Bracket for ceiling mounting of two single clocks (stainless steel V4A) | 01.490.503 | 295.– |

| Accessories | Item No. | € each |
|---|------------|--------|
| Remote control w. mounting frame for in-wall mounting, stainless steel V4A | 02.498.100 | 795.– |
| Remote control for stud-and-panel wall mounting by means of spring clip attachment device, stainless steel V4A (no mounting frame required) | 02.498.101 | 795.– |
| Hand-held remote control, stainless steel V4A | 02.498.102 | 795.– |

| Options | Suffix | Surcharge € each |
|---|--------|------------------|
| Operating voltage 12 VDC (instead of 230 VAC) | -70 | none |
| Stopwatch mode (remote control unit is an extra) | -71 | 169.– |
| Amber (instead of red) LED digital display (57 mm digit height second only) | -78 | 69.– |
| Green (instead of red) LED digital display (57 mm digit height second only) | -79 | 125.– |
| Date indication alternating with time indication | -81 | on request |
| PEWETA data bus RS485 master (output) | -82 | 100.– |
| PEWETA data bus RS485 slave (input) | -83 | 100.– |
| Alternating temperature indication (external temperature sensor included) | -88 | 295.– |
| Second digit height 38 mm (instead of 57 mm) | -89 | none |
| GPS version, incl. GPS receiving aerial (IP 65/EN 60 529) | -95 | 695.– |



Indoor digital flush-mounted

Type series **490**

DCF77 radio controlled clocks
DCF77 radio controlled clocks of this type series will be supplied including a remotable DCF77 aerial (IP 68). Thus, optimum reception quality can be achieved regardless of the final placement of the clock itself. However, DCF77 radio controlled clocks will only function correctly within a radius of approx. 1,500 km around Mainflingen (50 km east of Frankfurt/M.).

PEWETA *DCFport24*
PEWETA *DCFport24* slave clocks require a PEWETA master clock (see from page 172 on).

PEWETA *AirPort24*
PEWETA *AirPort24* slave clocks require an *AirPort24* transmitter or repeater respectively (see page 177).

NTP
NTP system clocks require a PEWETA master clock (see from page 172 on) or an NTP time server (see page 179).

Remote Control

ideally suited for surgical operating room in-wall clocks (digital or analog/digital)



Remote control
flush-mounted
or hand-held

Type series

498



These control units (wire-bound remote controls) were specially developed for use in hospital surgical operating rooms – flush with wall tiles, no hygienic limitations, reliable and accurate!
Also usable in other clean-room environments, such as pharmaceutical, beverage or food industries.

Case

Flush-with-tiles/wall surface stainless steel V4A (1.4571 X6CrNiMoTi 17-12-2) mounting frame for in-wall mounting, visible surfaces with a matted finish (K240), specially resistant to acids, detergents and disinfectants. In mounted condition protected against dust and moisture to IP 54 (EN 60 529).

Mounting

- built-in/plaster
- in stud-and-panel wall
- hand-held

The built-in version is supplied with either a mounting frame for mounting in conventional brick-and-plaster walls or a spring clip attachment device for stud-and-panel walls. A hand-held version is also available. For dimensions please see table.

Functions

- switching between clock and stop-watch function
- start/stop (counting upwards)
- split times
- reset

When used with PEWETA LED-OP-in-wall clocks, no separate power supply is required. Connected to clock by 4-core-wire, such as LIYCY-0 4x0.25 mm² (standard length of cir. 5 m is supplied with control unit).



02.498.101 shown

| Mounting dimensions | 02.498.100 | 02.498.101 |
|---|-------------------|-------------------|
| wall breakout (width x height) | cir. 150 x 150 mm | cir. 135 x 125 mm |
| space required for spring clips (width) | not applicable | cir. 250 mm |
| front panel (width x height) | cir. 150 x 150 mm | cir. 150 x 150 mm |
| minimum depth without mounting frame | 37.5 mm | 34.5 mm |

| Dimensions | 02.498.102 |
|------------------------|-----------------------|
| width x height x depth | cir. 43 x 125 x 25 mm |
| weight | cir. 250 g |

If interested please ask for data and dimension sheet.

| Type | Item No. | € each |
|---|------------|--------|
| Remote control with mounting frame for in-wall mounting, stainless steel V4A | 02.498.100 | 795.– |
| Remote control for stud-and-panel wall mounting by means of spring clip attachment device, stainless steel V4A (no mounting frame required) | 02.498.101 | 795.– |
| Hand-held remote control, stainless steel V4A | 02.498.102 | 795.– |

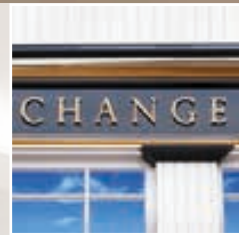
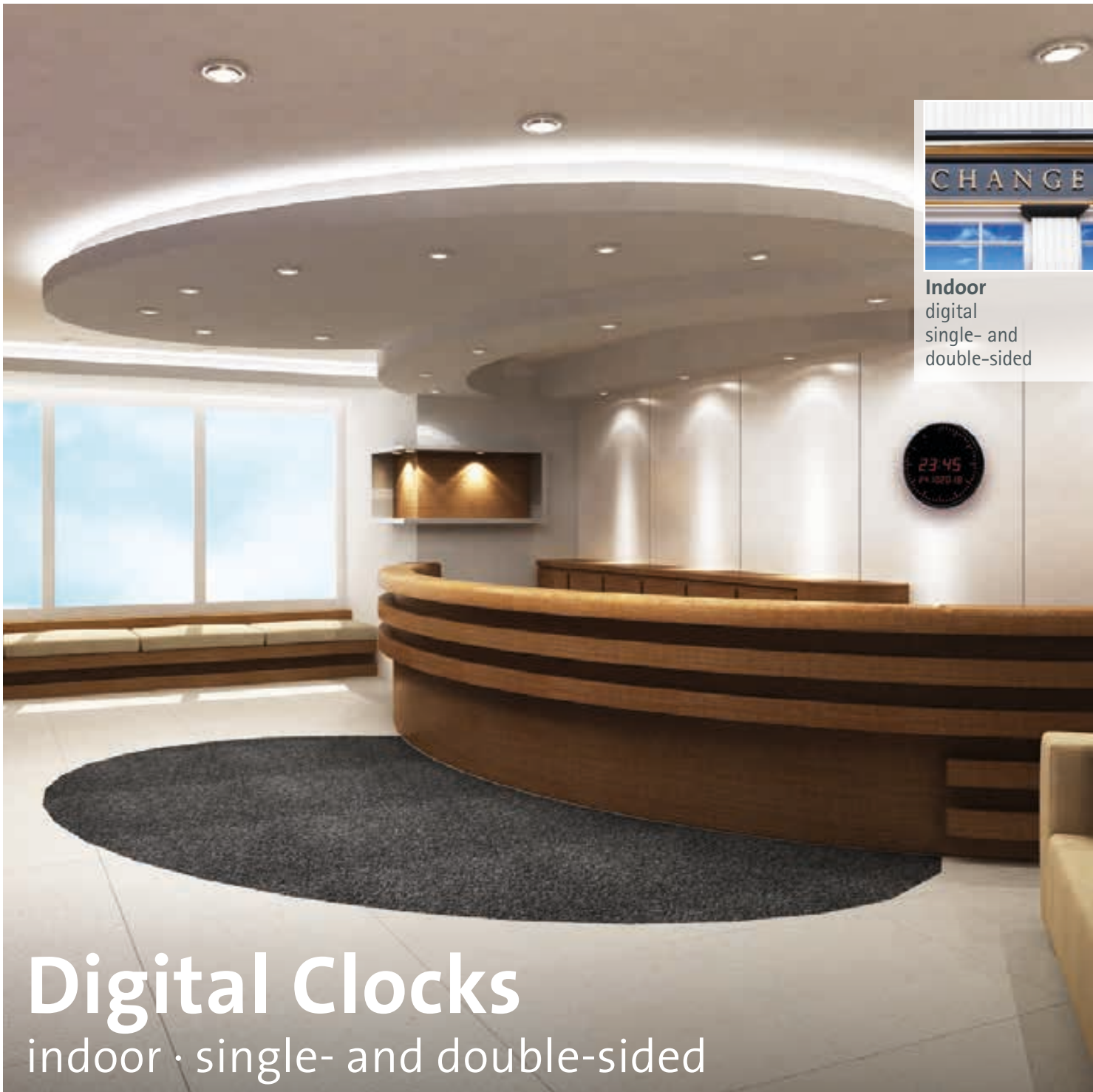


02.498.102

Stainless steel V4A

Due to its components stainless steel V4A is not only completely impervious to detergents and disinfectants but also to acids and other aggressive media. The flush-mounted clocks of this type series are therefore particularly suited for the use surgical operating rooms and other clean rooms.





Indoor
digital
single- and
double-sided

Digital Clocks

indoor · single- and double-sided

"Thirteen fortyfive" – contrary to analog clocks, digital clocks soundlessly indicate the time in a 24-hour mode.

This is particularly recommended for radio stations and TV studios, in world time clock systems and for places of high publicity, e.g. bank areas – locations where exact time should be shown in combination with the date.

LED Digital Clocks

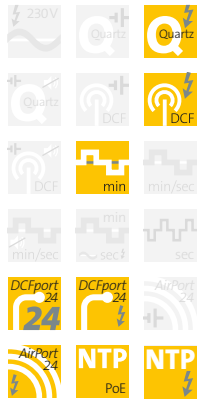
for offices, production areas, and places of high publicity



Indoor
digital
single- and
double-sided

Type series

510



81.510.551 shown

LED digital clocks, single- or double-sided with distinct, brightly lit LED bars guarantee optimal reading clearness.



81.510.551 -78 shown



71.510.553 -79 shown

Case

- cir. 320x150x34 mm (cipher height 57 mm)
 - cir. 520x250x43 mm (cipher height 100 mm)
- Extra flat, very sturdy metal case, enamelled black (RAL 9005). Protection grade IP 40 (EN 60 529).

Mounting

- Single-sided version for on-wall mounting, optionally with an additional, sturdy wall or ceiling mounting bracket (accessory)
- Double-sided version includes sturdy wall or ceiling mounting bracket.

LED digital display

- cipher height 57 mm
 - cipher height 100 mm
- Single line display showing hours and minutes, 4 digits, bar-type 7-segment LED ciphers, colour red (optionally amber, green or blue at a surcharge). Automatic brightness control. Menu selection for hour offset and suppression of leading zero. Minimum 100 hours data retention in case of power loss. Operating voltage 230 VAC/50...60 Hz (12 VDC/AC optional). Under specific circumstances, the bus voltage may suffice to operate PEWETA *DCFport24* version clocks²⁾.

Front glass

Flat acrylic glass.

Double-sided LED digital clocks

Double-sided clocks come completely wired and assembled. All settings will be taken over by both sides automatically!



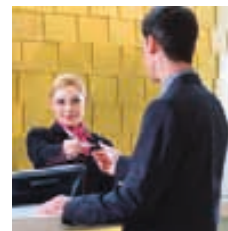
| Technical data | | Cipher height 57 mm | Cipher height 100 mm |
|-------------------|-------------------------------------|------------------------|------------------------|
| Case | colour | black (RAL 9005) | black (RAL 9005) |
| | dimensions (length x width x depth) | cir. 320 x 150 x 34 mm | cir. 520 x 250 x 43 mm |
| Display | cipher height hours, minutes | cir. 57 mm | cir. 100 mm |
| | reading distance | cir. 20 m | cir. 40 m |
| Power consumption | display | max. 5 VA | max. 6 VA |

| Single-sided version (on-wall mounting) | Cipher height ▶ Operating voltage ▼ | 57 mm | 100 mm |
|--|--|------------|------------|
| | | Item No. | Item No. |
| Quartz clock | 230 VAC | 42.510.551 | 42.510.951 |
| DCF77 radio controlled clock ¹⁾ | 230 VAC | 52.510.551 | 52.510.951 |
| Slave clock, minute pulse 24 V | 230 VAC | 71.510.551 | 71.510.951 |
| Telegram slave clock, DCFport24 ²⁾ | DCFport24 | 81.510.551 | 81.510.951 |
| Telegram slave clock, DCFport24, 12/24 V | 230 VAC | 83.510.551 | 83.510.951 |
| RC telegram slave clock, AirPort24, with outage reserve | 230 VAC | 85.510.551 | 85.510.951 |
| NTP system clock (NTP client), synchronisation by LAN, PoE ³⁾ | PoE | 91.510.551 | 91.510.951 |
| NTP system clock (NTP client), synchronisation by LAN ⁴⁾ | 230 VAC | 93.510.551 | 93.510.951 |

| Double-sided version (incl. wall and ceiling mounting bracket respectively) | Cipher height ▶ Mounting ▼ | 57 mm | 100 mm |
|--|-------------------------------|------------|---------------|
| | | Item No. | Item No. |
| Quartz clock, mains operated 230 VAC | wall | 42.510.552 | not available |
| | ceiling | 42.510.553 | 42.510.953 |
| DCF77 radio controlled clock, mains operated 230 VAC ¹⁾ | wall | 52.510.552 | not available |
| | ceiling | 52.510.553 | 52.510.953 |
| Slave clock, minute pulse 24 V, mains operated 230 VAC | wall | 71.510.552 | not available |
| | ceiling | 71.510.553 | 71.510.953 |
| Telegram slave clock, DCFport24, operating voltage DCFport24 ²⁾ | wall | 81.510.552 | not available |
| | ceiling | 81.510.553 | 81.510.953 |
| Telegram slave clock, DCFport24, operating voltage 230 VAC | wall | 83.510.552 | not available |
| | ceiling | 83.510.553 | 83.510.953 |
| RC telegram slave clock, AirPort24, mains operated 230 VAC, with outage reserve | wall | 85.510.552 | not available |
| | ceiling | 85.510.553 | 85.510.953 |
| NTP system clock (NTP client), synchronisation by LAN, PoE ³⁾ , operating voltage 230 VAC | wall | 91.510.552 | not available |
| | ceiling | 91.510.553 | 91.510.953 |
| NTP system clock (NTP client), synchronisation by LAN ⁴⁾ , operating voltage 230 VAC | wall | 93.510.552 | not available |
| | ceiling | 93.510.553 | 93.510.953 |

| Accessories | Item No. | € each |
|---|------------|--------|
| Mounting bracket for 1 single-sided clock, on wall, bracket length cir. 125 mm (for LED clocks with 57 mm cipher height only) | 01.510.502 | 189.– |
| Mounting bracket for 1 single-sided clock, on ceiling, bracket length cir. 130 mm | 01.510.503 | 189.– |
| Metal cover for wall or ceiling mounting bracket | 01.510.537 | 125.– |

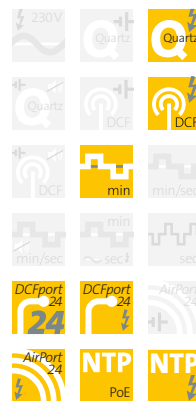
| Options | Suffix | Surcharge € each |
|---|--------|------------------|
| Case custom enamelled | -10 | on request |
| Operating voltage 12 VDC (instead of 230 VAC) | -70 | none |
| Amber LEDs (57 mm cipher height only, surcharge per display/side) | -78 | 49.– |
| Green LEDs (57 mm cipher height only, surcharge per display/side) | -79 | 89.– |
| Blue LEDs (57 mm cipher height only, surcharge per display/side) | -80 | 89.– |
| Alternating date display | -81 | on request |
| PEWETA digital RS 485 master (output) | -82 | 100.– |
| PEWETA digital RS 485 slave (input) | -83 | 100.– |
| Alternating temperature display (external temperature sensor included) | -88 | 295.– |
| Input for GPS radio control, incl. GPS receiving aerial (IP 65/EN 60 529) | -95 | 695.– |



Indoor digital single- and double-sided

Type series

510



DCF77 radio controlled clocks

DCF77 radio controlled clocks of this type series will be supplied including a rotatable DCF77 aerial (IP 68). Thus, optimum reception quality can be achieved regardless of the final placement of the clock itself. However, DCF77 radio controlled clocks will only function correctly within a radius of approx. 1,500 km around Mainflingen (50 km east of Frankfurt/M.).

PEWETA DCFport24

PEWETA DCFport24 slave clocks require a PEWETA master clock (see from page 172 on).

PEWETA AirPort24

PEWETA AirPort24 slave clocks require an AirPort24 transmitter or repeater respectively (see page 177).

NTP

NTP system clocks require a PEWETA master clock (see from page 172 on) or an NTP time server (see page 179).

¹⁾A rotatable DCF77 receiving aerial (IP 68) is included in delivery shipment.

²⁾Due to power consumption the number of clocks within the system/network is limited. Please ask for details when interested.

³⁾NTP system clocks of "PoE" type require a PoE (Power over Ethernet) power supply. Appropriate hardware has to be supplied by customer.

⁴⁾NTP system clocks require a LAN connection. Appropriate hardware has to be supplied by customer.

LED Digital Clocks

for offices, production areas, and places of high publicity



Indoor
digital
single- and
double-sided

Type series

511



81.511.551 shown

LED digital clocks, single- or double-sided with distinct, brightly lit LED bars guarantee optimal reading clearness.



43.548.251 shown



71.511.553 -89 shown

Case

- cir. 440x150x34 mm (cipher height 57 mm)
 - cir. 770x250x43 mm (cipher height 100 mm)
- Extra flat, very sturdy metal case, enamelled black (RAL 9005). Protection grade IP 40 (EN 60 529).

Mounting

- Single-sided version for on-wall mounting, optionally with an additional, sturdy wall or ceiling mounting bracket (accessory)
- Double-sided version includes sturdy wall or ceiling mounting bracket.

LED digital display

- cipher height 57 mm (option: 38 mm for seconds)
 - cipher height 100 mm
- Single line display showing hours, minutes and seconds, 6-digits, bar-type 7-segment LED ciphers, colour red (optionally amber, green or blue at a surcharge). Automatic brightness control. Menu selection for hour offset and suppression of leading zero. Minimum 100 hours data retention in case of power loss. Operating voltage 230 VAC/50...60 Hz (12 VDC/AC optional). Under specific circumstances, the bus voltage may suffice to operate PEWETA DCFport24 version clocks²⁾.

Stopwatch mode (option)

These clocks can be fitted with an additional stopwatch mode (count-up/ count-down). This mode is controlled by a wire-bound »Basic PRO« control unit (accessory). For technical details see page 133.

Front glass

Flat acrylic glass.

Double-sided LED digital clocks

Double-sided clocks come completely wired and assembled. All settings will be taken over by both sides automatically!



| Technical data | | Cipher height 57 mm | Cipher height 100 mm |
|-------------------|---------------------------------------|------------------------|------------------------|
| Case | colour | black (RAL 9005) | black (RAL 9005) |
| | dimensions (length x width x depth) | cir. 440 x 150 x 34 mm | cir. 770 x 250 x 43 mm |
| Display | cipher height hours, minutes, seconds | cir. 57 mm | cir. 100 mm |
| | reading distance | cir. 20 m | cir. 40 m |
| Power consumption | display | max. 5 VA | max. 6 VA |

| Single-sided version (on-wall mounting) | Cipher height ► Operating voltage ▼ | 57 mm | 100 mm |
|--|--|------------------|--------------------|
| | | Item No. | Item No. |
| Quartz clock | 230 VAC | 42.511.551 750.– | 42.511.951 1,360.– |
| DCF77 radio controlled clock ¹⁾ | 230 VAC | 52.511.551 910.– | 52.511.951 1,520.– |
| Slave clock, minute pulse 24 V | 230 VAC | 71.511.551 840.– | 71.511.951 1,450.– |
| Telegram slave clock, DCFport24 ²⁾ | DCFport24 | 81.511.551 840.– | 81.511.951 1,450.– |
| Telegram slave clock, DCFport24, 12/24 V | 230 VAC | 83.511.551 840.– | 83.511.951 1,450.– |
| RC telegram slave clock, AirPort24, with outage reserve | 230 VAC | 85.511.551 950.– | 85.511.951 1,560.– |
| NTP system clock (NTP client), synchronisation by LAN, PoE ³⁾ | PoE | 91.511.551 900.– | 91.511.951 1,510.– |
| NTP system clock (NTP client), synchronisation by LAN ⁴⁾ | 230 VAC | 93.511.551 930.– | 93.511.951 1,540.– |

| Double-sided version (incl. wall and ceiling mounting bracket respectively) | Cipher height ► Mounting ▼ | 57 mm | 100 mm |
|--|-------------------------------|--------------------|--------------------|
| | | Item No. | Item No. |
| Quartz clock, mains operated 230 VAC | wall | 42.511.552 1,660.– | not available |
| | ceiling | 42.511.553 1,660.– | 42.511.953 2,990.– |
| DCF77 radio controlled clock, mains operated 230 VAC ¹⁾ | wall | 52.511.552 1,820.– | not available |
| | ceiling | 52.511.553 1,820.– | 52.511.953 3,150.– |
| Slave clock, minute pulse 24 V, mains operated 230 VAC | wall | 71.511.552 1,750.– | not available |
| | ceiling | 71.511.553 1,750.– | 71.511.953 3,080.– |
| Telegram slave clock, DCFport24, operating voltage DCFport24 ²⁾ | wall | 81.511.552 1,750.– | not available |
| | ceiling | 81.511.553 1,750.– | 81.511.953 3,080.– |
| Telegram slave clock, DCFport24, operating voltage 230 VAC | wall | 83.511.552 1,750.– | not available |
| | ceiling | 83.511.553 1,750.– | 83.511.953 3,080.– |
| RC telegram slave clock, AirPort24, mains operated 230 VAC, with outage reserve | wall | 85.511.552 1,860.– | not available |
| | ceiling | 85.511.553 1,860.– | 85.511.953 3,190.– |
| NTP system clock (NTP client), synchronisation by LAN, PoE ³⁾ , operating voltage 230 VAC | wall | 91.511.552 1,810.– | not available |
| | ceiling | 91.511.553 1,810.– | 91.511.953 3,140.– |
| NTP system clock (NTP client), synchronisation by LAN ⁴⁾ , operating voltage 230 VAC | wall | 93.511.552 1,840.– | not available |
| | ceiling | 93.511.553 1,840.– | 93.511.953 3,170.– |

| Accessories | Cipher height ► | 57 mm | 100 mm |
|--|-----------------|--------------------|--------------------|
| | | Item No. | Item No. |
| Mounting bracket for 1 single-sided clock, on wall, bracket length cir. 125 mm | | 01.511.502 189.– | not available |
| Mounting bracket(s) ⁵⁾ for 1 single-sided clock, on ceiling, bracket length cir. 130 mm | | 01.511.503 189.– | 01.511.903 378.– |
| Metal cover(s) for wall or ceiling mounting bracket(s) | | 01.510.537 125.– | 01.515.537 250.– |
| Remote control unit "Basic PRO" for stopwatch function, PEWETA digital RS485 version ⁶⁾ | | 43.548.251 1,250.– | 43.548.251 1,250.– |
| Remote control unit "Basic PRO" for stopwatch function, NTP/PoE version ⁷⁾ | | 91.548.251 1,290.– | 91.548.251 1,290.– |

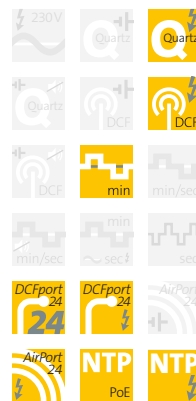
| Options | Suffix | Surcharge | |
|---|--------|------------|------|
| | | € | each |
| Case custom enamelled | -10 | on request | |
| Operating voltage 12 VDC (instead of 230 VAC) | -70 | none | |
| Stopwatch mode »count-up/count-down« (control unit is an accessory) | -71 | 169.– | |
| Amber LEDs (57 mm cipher height only, surcharge per display/side) | -78 | 69.– | |
| Green LEDs (57 mm cipher height only, surcharge per display/side) | -79 | 125.– | |
| Blue LEDs (57 mm cipher height only, surcharge per display/side) | -80 | 125.– | |
| Alternating date display | -81 | on request | |
| PEWETA digital RS 485 master (output) | -82 | 100.– | |
| PEWETA digital RS 485 slave (input) | -83 | 100.– | |
| Alternating temperature display (external temperature sensor included) | -88 | 295.– | |
| Seconds display: 38 mm cipher height instead of 57 mm | -89 | none | |
| Input for GPS radio control, incl. GPS receiving aerial (IP 65/EN 60 529) | -95 | 695.– | |



Indoor digital single- and double-sided

Type series

511



DCF77 radio controlled clocks

DCF77 radio controlled clocks of this type series will be supplied including a remotable DCF77 aerial (IP 68). Thus, optimum reception quality can be achieved regardless of the final placement of the clock itself. However, DCF77 radio controlled clocks will only function correctly within a radius of approx. 1,500 km around Mainflingen (50 km east of Frankfurt/M.).

PEWETA DCFport24

PEWETA DCFport24 slave clocks require a PEWETA master clock (see from page 172 on).

PEWETA AirPort24

PEWETA AirPort24 slave clocks require an AirPort24 transmitter or repeater respectively (see page 177).

NTP

NTP system clocks require a PEWETA master clock (see from page 172 on) or an NTP time server (see page 179).

¹⁾ A remotable DCF77 receiving aerial (IP 68) is included in delivery shipment.

²⁾ Due to power consumption the number of clocks within the system/network is limited. Please ask for details when interested.

³⁾ NTP system clocks of "PoE" type require a PoE (Power over Ethernet) power supply. Appropriate hardware has to be supplied by customer.

⁴⁾ NTP system clocks require a LAN connection. Appropriate hardware has to be supplied by customer.

⁵⁾ For LED digital clocks with 100 mm cipher height, 2 mounting brackets per clock will always be supplied.

⁶⁾ Works with LED digital clocks including the PEWETA digital RS485 »master« option only.

⁷⁾ Works with NTP system clock (NTP client) clock types only.

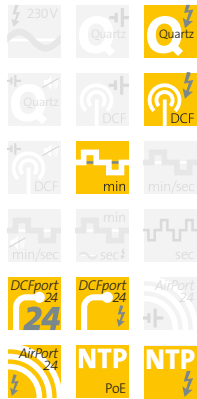
LED Digital Calendar Clocks

for banks, reception areas, and other places of high publicity



Indoor digital single- and double-sided

Type series
512



LED digital clocks, single- or double-sided, with distinct, brightly lit LED bars guarantee optimal reading clearness.

Case

- cir. 670x150x34 mm
- Extra flat, very sturdy metal case, enamelled black (RAL 9005).
- Protection grade IP 40 (EN 60 529).

Mounting

- Single-sided version for on-wall mounting, optionally with additional, sturdy ceiling mounting brackets (accessory)
- Double-sided version includes sturdy ceiling mounting brackets.

LED digital display

Single line display showing 10-character alphanumeric date, character height 30 mm, adjustable to various date formats, and numeric time, 4 digits for hours and minutes, cipher height 57 mm. Reading distance cir. 18..20 m. Bar-type 7-segment LED ciphers and 16-segment LED characters, respectively, colour red. Automatic brightness control. Menu selection for hour offset and suppression of leading zero. Minimum 100 hours data retention in case of power loss. Operating voltage 230 VAC/50...60 Hz (12 VDC/AC optional). Under specific circumstances, the bus voltage may suffice to operate PEWETA *DCFport24* version clocks²⁾.

Front glass

Flat acrylic glass.

Double-sided LED digital clocks

Double-sided clocks come completely wired and assembled.



91.512.551 shown



91.512.551 shown



91.512.553 shown

Various date formats are adjustable by menu



91.512.551 -75 shown

City name displayed when the clock is part of a World Time Clock system

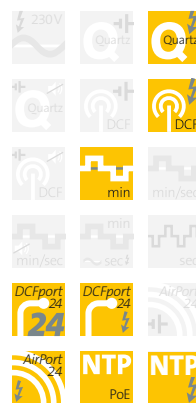




Indoor
digital
single- and
double-sided

Type series

512



DCF77 radio controlled clocks

DCF77 radio controlled clocks of this type series will be supplied including a removable DCF77 aerial (IP 68). Thus, optimum reception quality can be achieved regardless of the final placement of the clock itself. However, DCF77 radio controlled clocks will only function correctly within a radius of approx. 1,500 km around Mainflingen (50 km east of Frankfurt/M.).

PEWETA DCFport24

PEWETA DCFport24 slave clocks require a PEWETA master clock (see from page 172 on).

PEWETA AirPort24

PEWETA AirPort24 slave clocks require an AirPort24 transmitter or repeater respectively (see page 177).

NTP

NTP system clocks require a PEWETA master clock (see from page 172 on) or an NTP time server (see page 179).

| Technical data | | |
|----------------|-------------------------------------|------------------------|
| Case | colour | black (RAL 9005) |
| | dimensions (length x width x depth) | cir. 670 x 150 x 34 mm |
| Display | cipher height hour/minute | cir. 57 mm |
| | cipher height date | cir. 30 mm |
| | reading distance | cir. 18...20 m |
| | Power consumption | display |

| Single-sided version (on-wall mounting) | Operating voltage | Item No. | € each |
|--|-------------------|------------|---------|
| Quartz clock | 230 VAC | 42.512.551 | 1,250.– |
| DCF77 radio controlled clock ¹⁾ | 230 VAC | 52.512.551 | 1,410.– |
| Slave clock, minute pulse 24 V | 230 VAC | 71.512.551 | 1,340.– |
| Telegram slave clock, DCFport24 ²⁾ | DCFport24 | 81.512.551 | 1,340.– |
| Telegram slave clock, DCFport24, 12/24 V | 230 VAC | 83.512.551 | 1,340.– |
| RC telegram slave clock, AirPort24, with outage reserve | 230 VAC | 85.512.551 | 1,450.– |
| NTP system clock (NTP client), synchronisation by LAN, PoE ³⁾ | PoE | 91.512.551 | 1,400.– |
| NTP system clock (NTP client), synchronisation by LAN ⁴⁾ | 230 VAC | 93.512.551 | 1,430.– |

| Double-sided version (on-wall mounting) | Operating voltage | Item No. | € each |
|--|-------------------|------------|---------|
| Quartz clock | 230 VAC | 42.512.553 | 2,800.– |
| DCF77 radio controlled clock ¹⁾ | 230 VAC | 52.512.553 | 2,960.– |
| Slave clock, minute pulse 24 V | 230 VAC | 71.512.553 | 2,890.– |
| Telegram slave clock, DCFport24 ²⁾ | DCFport24 | 81.512.553 | 2,890.– |
| Telegram slave clock, DCFport24, 12/24 V | 230 VAC | 83.512.553 | 2,890.– |
| RC telegram slave clock, AirPort24, with outage reserve | 230 VAC | 85.512.553 | 3,000.– |
| NTP system clock (NTP client), synchronisation by LAN, PoE ³⁾ | PoE | 91.512.553 | 2,950.– |
| NTP system clock (NTP client), synchronisation by LAN ⁴⁾ | 230 VAC | 93.512.553 | 2,980.– |

| Accessories | Item No. | € each |
|--|------------|--------|
| Mounting brackets for 1 single-sided clock, on ceiling, bracket length cir. 130 mm | 01.512.503 | 378.– |
| Metal covers for wall or ceiling mounting brackets | 01.515.537 | 250.– |

| Options | Suffix | Surcharge € each |
|---|--------|------------------|
| Case custom enamelled | -10 | on request |
| Operating voltage 12 VDC (instead of 230 VAC) | -70 | none |
| City pre-sets for World Time Clock Systems | -75 | 139.– |
| PEWETA digital RS 485 master (output) | -82 | 100.– |
| PEWETA digital RS 485 slave (input) | -83 | 100.– |
| Alternating temperature display (external temperature sensor included) | -88 | 295.– |
| Input for GPS radio control, incl. GPS receiving aerial (IP 65/EN 60 529) | -95 | 695.– |

¹⁾ A removable DCF77 receiving aerial is included in delivery shipment.

²⁾ Due to power consumption the number of clocks within the system/network is limited. Please ask for details when interested.

³⁾ NTP system clocks of "PoE" type require a PoE (Power over Ethernet) power supply. Appropriate hardware has to be supplied by customer.

⁴⁾ NTP system clocks require a LAN connection. Appropriate hardware has to be supplied by customer.

All prices are subject to change without notice, packing and shipping cost (see page 185) as well as VAT for deliveries within Germany added. Prices shown as of January 1st, 2024. If you have any questions or require additional information, please contact us, we will gladly give advice.



LED Digital Calendar Clocks

for banks, reception areas, and other places of high publicity



Indoor digital single- and double-sided

Type series
514



91.514.551 shown

LED digital clocks, single- or double-sided with distinct, brightly lit LED bars guarantee optimal reading clearness.



83.514.553 shown



83.514.551 -74 shown

Case

- cir. 440x250x34 mm
- Extra flat, very sturdy metal case, enamelled black (RAL 9005).
- Protection grade IP 40 (EN 60529).

Mounting

- Single-sided version for on-wall mounting, optionally with additional, sturdy wall or ceiling mounting brackets (accessory)
- Double-sided version includes sturdy wall or ceiling mounting brackets.

LED digital display

2-line display, top line showing hours and minutes, cipher height 57 mm, (optional seconds: cipher height 57 mm or 38 mm), bottom line showing 10-character alphanumeric date, character height 30 mm. Bar-type 7-segment LED ciphers and 16-segment LED characters, respectively, colour red. Automatic brightness control. Menu selection for hour offset and suppression of leading zero. Minimum 100 hours data retention in case of power loss. Operating voltage 230 VAC/50...60 Hz (12 VDC/AC optional). Under specific circumstances, the bus voltage may suffice to operate PEWETA *DCFport24* version clocks²⁾.

Front glass

Flat acrylic glass.

Double-sided LED digital clocks

Double-sided clocks come completely wired and assembled.

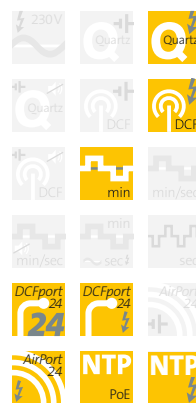




Indoor
digital
single- and
double-sided

Type series

514



DCF77 radio controlled clocks

DCF77 radio controlled clocks of this type series will be supplied including a rotatable DCF77 aerial (IP 68). Thus, optimum reception quality can be achieved regardless of the final placement of the clock itself. However, DCF77 radio controlled clocks will only function correctly within a radius of approx. 1,500 km around Mainflingen (50 km east of Frankfurt/M.).

PEWETA DCFport24

PEWETA DCFport24 slave clocks require a PEWETA master clock (see from page 172 on).

PEWETA AirPort24

PEWETA AirPort24 slave clocks require an AirPort24 transmitter or repeater respectively (see page 177).

NTP

NTP system clocks require a PEWETA master clock (see from page 172 on) or an NTP time server (see page 179).

| Technical data | | |
|-------------------|-------------------------------------|--------------------|
| Case | colour | black (RAL 9005) |
| | dimensions (length x width x depth) | cir. 440x250x34 mm |
| LED Display | cipher height hours, minutes | cir. 57 mm |
| | cipher height date | cir. 30 mm |
| | cipher height seconds (option) | cir. 38 or 57 mm |
| | reading distance | cir. 18...20 m |
| Power consumption | display | max. 5 VA |

| Single-sided version (on-wall mounting) | Operating voltage | Item No. | € each |
|--|-------------------|------------|---------|
| Quartz clock | 230 VAC | 42.514.551 | 1,250.- |
| DCF77 radio controlled clock ¹⁾ | 230 VAC | 52.514.551 | 1,410.- |
| Slave clock, minute pulse 24 V | 230 VAC | 71.514.551 | 1,340.- |
| Telegram slave clock, DCFport24 ²⁾ | DCFport24 | 81.514.551 | 1,340.- |
| Telegram slave clock, DCFport24, 12/24 V | 230 VAC | 83.514.551 | 1,340.- |
| RC telegram slave clock, AirPort24, with outage reserve | 230 VAC | 85.514.551 | 1,450.- |
| NTP system clock (NTP client), synchronisation by LAN, PoE ³⁾ | PoE | 91.514.551 | 1,400.- |
| NTP system clock (NTP client), synchronisation by LAN ⁴⁾ | 230 VAC | 93.514.551 | 1,430.- |

| Double-sided version (incl. wall or ceiling mounting brackets) | Mounting | Item No. | € each |
|--|----------|------------|---------|
| Quartz clock, mains operated 230 VAC | wall | 42.514.552 | 2,800.- |
| | ceiling | 42.514.553 | 2,800.- |
| DCF77 radio controlled clock, mains operated 230 VAC ¹⁾ | wall | 52.514.552 | 2,960.- |
| | ceiling | 52.514.553 | 2,960.- |
| Slave clock, minute pulse 24 V, mains operated 230 VAC | wall | 71.514.552 | 2,890.- |
| | ceiling | 71.514.553 | 2,890.- |
| Telegram slave clock, DCFport24, operating voltage DCFport24 ²⁾ | wall | 81.514.552 | 2,890.- |
| | ceiling | 81.514.553 | 2,890.- |
| Telegram slave clock, DCFport24, operating voltage 230 VAC | wall | 83.514.552 | 2,890.- |
| | ceiling | 83.514.553 | 2,890.- |
| RC telegram slave clock, AirPort24, mains operated 230 VAC, with outage reserve | wall | 85.514.552 | 3,000.- |
| | ceiling | 85.514.553 | 3,000.- |
| NTP system clock (NTP client), synchronisation by LAN, PoE ³⁾ , operating voltage 230 VAC | wall | 91.514.552 | 2,950.- |
| | ceiling | 91.514.553 | 2,950.- |
| NTP system clock (NTP client), synchronisation by LAN ⁴⁾ , operating voltage 230 VAC | wall | 93.514.552 | 2,980.- |
| | ceiling | 93.514.553 | 2,980.- |

| Accessories | Item No. | € each |
|--|------------|--------|
| Mounting brackets for 1 single-sided clock, on wall, bracket length cir. 125 mm | 01.514.502 | 378.- |
| Mounting brackets for 1 single-sided clock, on ceiling, bracket length cir. 130 mm | 01.514.503 | 378.- |
| Metal covers for wall or ceiling mounting brackets | 01.515.537 | 250.- |

| Options | Suffix | Surcharge € each |
|---|--------|------------------|
| Case custom enamelled | -10 | on request |
| Operating voltage 12 VDC (instead of 230 VAC) | -70 | none |
| Additional 2-digit seconds display, height 38 or 57 mm | -74 | 169.- |
| City pre-sets for World Time Clock Systems | -75 | 139.- |
| PEWETA digital RS 485 master (output) | -82 | 100.- |
| PEWETA digital RS 485 slave (input) | -83 | 100.- |
| Alternating temperature display (external temperature sensor included) | -88 | 295.- |
| Input for GPS radio control, incl. GPS receiving aerial (IP 65/EN 60 529) | -95 | 695.- |

¹⁾ A rotatable DCF77 receiving aerial is included in delivery shipment.

²⁾ Due to power consumption the number of clocks within the system/network is limited. Please ask for details when interested.

³⁾ NTP system clocks of "PoE" type require a PoE (Power over Ethernet) power supply. Appropriate hardware has to be supplied by customer.

⁴⁾ NTP system clocks require a LAN connection. Appropriate hardware has to be supplied by customer.

All prices are subject to change without notice, packing and shipping cost (see page 185) as well as VAT for deliveries within Germany added. Prices shown as of January 1st, 2024. If you have any questions or require additional information, please contact us, we will gladly give advice.



LED Digital Calendar Clocks

for banks, reception areas, and other places of high publicity



Indoor
digital
single- and
double-sided

Type series
515



81.515.551 shown

LED digital clocks, single- or double-sided with distinct, brightly lit LED bars guarantee optimal reading clearness.



71.515.553 shown



81.515.551 -74 shown

Case

- cir. 440x300x34 mm
Extra flat, very sturdy metal case, enamelled black (RAL 9005). Protection grade IP 40 (EN 60 529).

Mounting

- Single-sided version for on-wall mounting, optionally with additional, sturdy wall or ceiling mounting brackets (accessory)
- Double-sided version includes sturdy wall or ceiling mounting brackets.

LED digital display

2-line numeric display, top line showing hours and minutes, cipher height 57 mm (optional seconds: cipher height 57 mm or 38 mm), bottom line showing 8-digit numeric date, cipher height 45 mm, readable from 18...20 m distance. All ciphers are bar-type 7-segment LED, colour red. Automatic brightness control. Menu selection for hour offset and suppression of leading zero. Minimum 100 hours data retention in case of power loss. Operating voltage 230 VAC/50...60 Hz (12 VDC /AC optional). Under specific circumstances, the bus voltage may suffice to operate PEWETA DCFport24 version clocks²⁾.

Front glass

Flat acrylic glass.

Double-sided LED digital clocks

Double-sided clocks come completely wired and assembled.





| Technical data | | |
|-------------------|-------------------------------------|--------------------|
| Case | colour | black (RAL 9005) |
| | dimensions (length x width x depth) | cir. 440x300x34 mm |
| Display | cipher height hours, minutes | cir. 57 mm |
| | cipher height date | cir. 45 mm |
| | cipher height seconds (option) | cir. 38 or 57 mm |
| | reading distance | cir. 18...20 m |
| Power consumption | display | max. 5 VA |

| Single-sided version (on-wall mounting) | Operating voltage | Item No. | € each |
|--|-------------------|------------|---------|
| Quartz clock | 230 VAC | 42.515.551 | 1,240.– |
| DCF77 radio controlled clock ¹⁾ | 230 VAC | 52.515.551 | 1,400.– |
| Slave clock, minute pulse 24 V | 230 VAC | 71.515.551 | 1,330.– |
| Telegram slave clock, DCFport24 ²⁾ | DCFport24 | 81.515.551 | 1,330.– |
| Telegram slave clock, DCFport24, 12/24 V | 230 VAC | 83.515.551 | 1,330.– |
| RC telegram slave clock, AirPort24, with outage reserve | 230 VAC | 85.515.551 | 1,440.– |
| NTP system clock (NTP client), synchronisation by LAN, PoE ³⁾ | PoE | 91.515.551 | 1,390.– |
| NTP system clock (NTP client), synchronisation by LAN ⁴⁾ | 230 VAC | 93.515.551 | 1,420.– |

| Double-sided version (incl. wall or ceiling mounting brackets) | Mounting | Item No. | € each |
|--|----------|------------|---------|
| Quartz clock, mains operated 230 VAC | wall | 42.515.552 | 2,780.– |
| | ceiling | 42.515.553 | 2,780.– |
| DCF77 radio controlled clock, mains operated 230 VAC ¹⁾ | wall | 52.515.552 | 2,940.– |
| | ceiling | 52.515.553 | 2,940.– |
| Slave clock, minute pulse 24 V, mains operated 230 VAC | wall | 71.515.552 | 2,870.– |
| | ceiling | 71.515.553 | 2,870.– |
| Telegram slave clock, DCFport24, operating voltage DCFport24 ²⁾ | wall | 81.515.552 | 2,870.– |
| | ceiling | 81.515.553 | 2,870.– |
| Telegram slave clock, DCFport24, operating voltage 230 VAC | wall | 83.515.552 | 2,870.– |
| | ceiling | 83.515.553 | 2,870.– |
| RC telegram slave clock, AirPort24, mains operated 230 VAC, with outage reserve | wall | 85.515.552 | 2,980.– |
| | ceiling | 85.515.553 | 2,980.– |
| NTP system clock (NTP client), synchronisation by LAN, PoE ³⁾ , operating voltage 230 VAC | wall | 91.515.552 | 2,930.– |
| | ceiling | 91.515.553 | 2,930.– |
| NTP system clock (NTP client), synchronisation by LAN ⁴⁾ , operating voltage 230 VAC | wall | 93.515.552 | 2,960.– |
| | ceiling | 93.515.553 | 2,960.– |

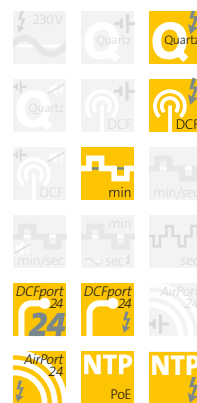
| Accessories | Item No. | € each |
|--|------------|--------|
| Mounting brackets for 1 single-sided clock, on wall, bracket length cir. 125 mm | 01.515.502 | 378.– |
| Mounting brackets for 1 single-sided clock, on ceiling, bracket length cir. 130 mm | 01.515.503 | 378.– |
| Metal covers for wall or ceiling mounting brackets | 01.515.537 | 250.– |

| Options | Suffix | Surcharge € each |
|---|--------|------------------|
| Case custom enamelled | -10 | on request |
| Operating voltage 12 VDC (instead of 230 VAC) | -70 | none |
| Additional 2-digit seconds display, height 38 or 57 mm | -74 | 169.– |
| PEWETA digital RS 485 master (output) | -82 | 100.– |
| PEWETA digital RS 485 slave (input) | -83 | 100.– |
| Alternating temperature display (external temperature sensor included) | -88 | 295.– |
| Input for GPS radio control, incl. GPS receiving aerial (IP 65/EN 60 529) | -95 | 695.– |

Indoor digital single- and double-sided

Type series

515



DCF77 radio controlled clocks

DCF77 radio controlled clocks of this type series will be supplied including a rotatable DCF77 aerial (IP 68). Thus, optimum reception quality can be achieved regardless of the final placement of the clock itself. However, DCF77 radio controlled clocks will only function correctly within a radius of approx. 1,500 km around Mainflingen (50 km east of Frankfurt/M.).

PEWETA DCFport24

PEWETA DCFport24 slave clocks require a PEWETA master clock (see from page 172 on).

PEWETA AirPort24

PEWETA AirPort24 slave clocks require an AirPort24 transmitter or repeater respectively (see page 177).

NTP

NTP system clocks require a PEWETA master clock (see from page 172 on) or an NTP time server (see page 179).

¹⁾ A rotatable DCF77 receiving aerial is included in delivery shipment.

²⁾ Due to power consumption the number of clocks within the system/network is limited. Please ask for details when interested.

³⁾ NTP system clocks of "PoE" type require a PoE (Power over Ethernet) power supply. Appropriate hardware has to be supplied by customer.

⁴⁾ NTP system clocks require a LAN connection. Appropriate hardware has to be supplied by customer.

All prices are subject to change without notice, packing and shipping cost (see page 185) as well as VAT for deliveries within Germany added. Prices shown as of January 1st, 2024. If you have any questions or require additional information, please contact us, we will gladly give advice.



LED Digital Calendar Clocks

for banks, reception areas, and other places of high publicity



Indoor
digital
single- and
double-sided

Type series
516



81.516.551 shown

LED digital clocks, single- or double-sided with distinct, brightly lit LED bars guarantee optimal reading clearness.



71.516.553 shown



81.516.551 -74 shown

Case

- cir. 440x300x34 mm
Extra flat, very sturdy metal case, enamelled black (RAL 9005). Protection grade IP 40 (EN 60 529).

Mounting

- Single-sided version for on-wall mounting, optionally with additional, sturdy wall or ceiling mounting brackets (accessory)
- Double-sided version includes sturdy wall or ceiling mounting brackets.

LED digital display

3-line display, top line showing hours and minutes, cipher height 57 mm, (optional seconds: cipher height 57 mm or 38 mm), middle line showing day of the week spelled out (up to 10 characters, character height 30 mm), bottom line showing 8-digit numeric date, cipher height 45 mm. Bar-type 7-segment LED ciphers, resp. 16-segment LED characters, colour red. Automatic brightness control. Menu selection for hour offset and suppression of leading zero. Minimum 100 hours data retention in case of power loss. Operating voltage 230 VAC/50...60 Hz (12 VDC/AC optional). Under specific circumstances,

the bus voltage may suffice to operate PEWETA *DCFport24* version clocks²⁾.

Front glass

Flat acrylic glass.

Double-sided LED digital clocks

Double-sided clocks come completely wired and assembled.

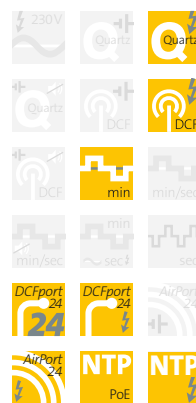




Indoor
digital
single- and
double-sided

Type series

516



DCF77 radio controlled clocks

DCF77 radio controlled clocks of this type series will be supplied including a rotatable DCF77 aerial (IP 68). Thus, optimum reception quality can be achieved regardless of the final placement of the clock itself. However, DCF77 radio controlled clocks will only function correctly within a radius of approx. 1,500 km around Mainflingen (50 km east of Frankfurt/M.).

PEWETA DCFport24
PEWETA DCFport24 slave clocks require a PEWETA master clock (see from page 172 on).

PEWETA AirPort24
PEWETA AirPort24 slave clocks require an AirPort24 transmitter or repeater respectively (see page 177).

NTP
NTP system clocks require a PEWETA master clock (see from page 172 on) or an NTP time server (see page 179).

| Technical data | | |
|-------------------|-------------------------------------|------------------------|
| Case | colour | black (RAL 9005) |
| | dimensions (length x width x depth) | cir. 440 x 300 x 34 mm |
| Display | cipher height hours, minutes | cir. 57 mm |
| | cipher height date | cir. 45 mm |
| | cipher height day of week | cir. 30 mm |
| | cipher height seconds (option) | cir. 38 or 57 mm |
| | reading distance | cir. 18...20 m |
| Power consumption | display | max. 5 VA |

| Single-sided version (on-wall mounting) | Operating voltage | Item No. | € each |
|--|-------------------|------------|---------|
| Quartz clock | 230 VAC | 42.516.551 | 1,500.– |
| DCF77 radio controlled clock ¹⁾ | 230 VAC | 52.516.551 | 1,660.– |
| Slave clock, minute pulse 24 V | 230 VAC | 71.516.551 | 1,590.– |
| Telegram slave clock, DCFport24 ²⁾ | DCFport24 | 81.516.551 | 1,590.– |
| Telegram slave clock, DCFport24, 12/24 V | 230 VAC | 83.516.551 | 1,590.– |
| RC telegram slave clock, AirPort24, with outage reserve | 230 VAC | 85.516.551 | 1,700.– |
| NTP system clock (NTP client), synchronisation by LAN, PoE ³⁾ | PoE | 91.516.551 | 1,650.– |
| NTP system clock (NTP client), synchronisation by LAN ⁴⁾ | 230 VAC | 93.516.551 | 1,680.– |

| Double-sided version (incl. wall or ceiling mounting brackets) | Mounting | Item No. | € each |
|--|----------|------------|---------|
| Quartz clock, mains operated 230 VAC | wall | 42.516.552 | 3,300.– |
| | ceiling | 42.516.553 | 3,300.– |
| DCF77 radio controlled clock, mains operated 230 VAC ¹⁾ | wall | 52.516.552 | 3,540.– |
| | ceiling | 52.516.553 | 3,540.– |
| Slave clock, minute pulse 24 V, mains operated 230 VAC | wall | 71.516.552 | 3,480.– |
| | ceiling | 71.516.553 | 3,480.– |
| Telegram slave clock, DCFport24, operating voltage DCFport24 ²⁾ | wall | 81.516.552 | 3,480.– |
| | ceiling | 81.516.553 | 3,480.– |
| Telegram slave clock, DCFport24, operating voltage 230 VAC | wall | 83.516.552 | 3,480.– |
| | ceiling | 83.516.553 | 3,480.– |
| RC telegram slave clock, AirPort24, mains operated 230 VAC, with outage reserve | wall | 85.516.552 | 3,700.– |
| | ceiling | 85.516.553 | 3,700.– |
| NTP system clock (NTP client), synchronisation by LAN, PoE ³⁾ , operating voltage 230 VAC | wall | 91.516.552 | 3,600.– |
| | ceiling | 91.516.553 | 3,600.– |
| NTP system clock (NTP client), synchronisation by LAN ⁴⁾ , operating voltage 230 VAC | wall | 93.516.552 | 3,660.– |
| | ceiling | 93.516.553 | 3,660.– |

| Accessories | Item No. | € each |
|--|------------|--------|
| Mounting brackets for 1 single-sided clock, on wall, bracket length cir. 125 mm | 01.516.502 | 378.– |
| Mounting brackets for 1 single-sided clock, on ceiling, bracket length cir. 130 mm | 01.516.503 | 378.– |
| Metal covers for wall or ceiling mounting brackets | 01.515.537 | 250.– |

| Options | Suffix | Surcharge € each |
|---|--------|------------------|
| Case custom enamelled | -10 | on request |
| Operating voltage 12 VDC (instead of 230 VAC) | -70 | none |
| Additional 2-digit seconds display, height 38 or 57 mm | -74 | 169.– |
| PEWETA digital RS 485 master (output) | -82 | 100.– |
| PEWETA digital RS 485 slave (input) | -83 | 100.– |
| Alternating temperature display (external temperature sensor included) | -88 | 295.– |
| Input for GPS radio control, incl. GPS receiving aerial (IP 65/EN 60 529) | -95 | 695.– |

¹⁾ A rotatable DCF77 receiving aerial is included in delivery shipment.

²⁾ Due to power consumption the number of clocks within the system/network is limited. Please ask for details when interested.

³⁾ NTP system clocks of "PoE" type require a PoE (Power over Ethernet) power supply. Appropriate hardware has to be supplied by customer.

⁴⁾ NTP system clocks require a LAN connection. Appropriate hardware has to be supplied by customer.

All prices are subject to change without notice, packing and shipping cost (see page 185) as well as VAT for deliveries within Germany added. Prices shown as of January 1st, 2024. If you have any questions or require additional information, please contact us, we will gladly give advice.



LED Digital Clocks with rim-circle seconds indication ideal for broadcasting facilities and places of high publicity



Indoor
digital
single-sided

Type series
525



83.525.551 -77 shown



83.525.551 -77 shown



83.525.551 -75 -77 shown



83.525.551 -77 -88 shown

This 400 x 400 mm wall clock as standard shows the digital time in hours and minutes and has a circumferential ring of red LED bar marks that show the seconds, counting up. An additional 8-character alphanumeric LED display line makes this clock a veritable "information centre". Depending on the features selected this clock is capable of providing all the information required for the assigned function – exact, professional, attractive, and outright reliable!

Possible indications:

- 8-digit date display (25.09.2023)
- day of the week, spelled out (Monday)
- day of the week, abbreviated and date (Mon 25.09.)
- day of month and abbreviated month (25. Sep 23), multilingual
- additional display for seconds (48)
- stopwatch function (hh/mm/ss)
- temperature (20°C)
- city names at customer's choice with corresponding world time and time-zone details (city pre-sets, see pages 128 and 129).

Whether as a single clock, as a calendar clock full of information or integrated as "master" or "slave" in a World Time Display System – this clock speaks all languages and meets all demands!



Case

■ cir. 400 mm diameter metal, as standard enamelled jet black (RAL 9005). Optionally, at a surcharge, custom enamelled or with stainless steel case (1.4301 X5CrNi 18-10, German trade name V2A), in a matted finish.

Protection grade IP 40 (EN 60529).

LED digital display(s)

4-digit hour and minute display, bar-type 7-segment LED ciphers, height 57 mm, colour red. Circumferential ring of red LED bars indicating the seconds, counting up. Automatic brightness control. Hour offset or leading zero selectable via menu. Minimum 100 hours data retention in case of power loss. Operating voltage 230 VAC/50...60 Hz (12 VDC/12 VAC optional). Under specific circumstances, the bus voltage may suffice to operate PEWETA DCFport24 version clocks²⁾.

Alphanumeric display (option)

16-segment alphanumeric LED bar character display, up to 8 characters, character height 30 mm, to display numeric and alphanumeric information, e. g. day of the week, month, date, and seconds. At a surcharge, end times (stopwatch mode, option) or city names (option), can be displayed. Selection via menu. Alternating display possible. Various languages.

Front glass

Flat, shock-resistant Plexiglas®.

World Time Display System (option)

PEWETA LED digital clocks can be integrated into a professional and intelligent World Time Display System by the PEWETA *digital RS 485* data bus. Each individual LED digital clock receives the "pre-sets" pertaining to various time zones and city names. Upon selection of a time zone, local time will be displayed, regarding zone offset and local change-over dates for summer and winter time.

Stopwatch mode (option)

These clocks can be fitted with an additional stopwatch mode (count-up/count-down). The 8-digit alphanumeric display (option) will show hours, minutes and seconds, counting up from start or down from a pre-selected value. This mode is controlled by a wire-bound »Basic PRO« control unit (accessory). For technical data see page 133.

| Clock type | Operating voltage | Item No. | € each |
|---|-------------------|------------------|---------|
| Quartz clock | 230 VAC | 42.525.551 | 1,490.– |
| DCF77 radio controlled clock ¹⁾ | 230 VAC | 52.525.551 | 1,650.– |
| Slave clock, minute pulse 24 V | 230 VAC | 71.525.551 | 1,580.– |
| Telegram slave clock, DCFport24, 24 V ²⁾ | DCFport24 | 81.525.551 | 1,580.– |
| Telegram slave clock, DCFport24, 12/24 V | 230 VAC | 83.525.551 | 1,580.– |
| RC telegram slave clock, AirPort24, with outage reserve | 230 VAC | 85.525.551 | 1,690.– |
| NTP system clock (NTP client), synchronisation by LAN, PoE ³⁾ | PoE | 91.525.551 | 1,640.– |
| NTP system clock (NTP client), synchronisation by LAN ⁴⁾ | 230 VAC | 93.525.551 | 1,670.– |
| Accessories | | Item No. | € each |
| Remote control unit "Basic PRO" for stopwatch function, PEWETA <i>digital RS485</i> version ⁵⁾ | | 43.548.251 | 1,250.– |
| Remote control unit "Basic PRO" for stopwatch function, NTP/PoE version ⁶⁾ | | 91.548.251 | 1,290.– |
| Options | Suffix | Surcharge € each | |
| Case custom enamelled | -10 | on request | |
| Case stainless steel V2A, matted finish | -20 | 109.– | |
| Operating voltage 12 VDC (instead of 230 VAC) | -70 | none | |
| Stopwatch mode »count-up/count-down« (control unit is an accessory) | -71 | 169.– | |
| City pre-sets for World Time Clock Systems | -75 | 139.– | |
| Additional 8-character alphanumeric display | -77 | 325.– | |
| PEWETA <i>digital RS 485</i> master (output) | -82 | 100.– | |
| PEWETA <i>digital RS 485</i> slave (input) | -83 | 100.– | |
| Alternating temperature display (external temperature sensor included) | -88 | 295.– | |
| Input for GPS radio control, incl. GPS receiving aerial (IP 65/EN 60529) | -95 | 695.– | |

Options – just as you like them ...

These clocks are available optionally with customised features at the surcharges as listed. Just pick your option(s) and add the appropriate suffix(es) to the Item No.



¹⁾ A removable DCF77 receiving aerial is included in delivery shipment.

²⁾ Due to power consumption the number of clocks within the system/network is limited. Please ask for details when interested.

³⁾ NTP system clocks of "PoE" type require a PoE (Power over Ethernet) power supply. Appropriate hardware has to be supplied by customer.

⁴⁾ NTP system clocks require a LAN connection. Appropriate hardware has to be supplied by customer.

⁵⁾ Works with LED digital clocks including the PEWETA *digital RS485* »master« option only.

⁶⁾ Works with NTP system clock (NTP client) clock types only.

All prices are subject to change without notice, packing and shipping cost (see page 185) as well as VAT for deliveries within Germany added. Prices shown as of January 1st, 2024. If you have any questions or require additional information, please contact us, we will gladly give advice.



Indoor digital single-sided

Type series

525



DCF77 radio controlled clocks

DCF77 radio controlled clocks of this type series will be supplied including a removable DCF77 aerial (IP 68). Thus, optimum reception quality can be achieved regardless of the final placement of the clock itself. However, DCF77 radio controlled clocks will only function correctly within a radius of approx. 1,500 km around Mainflingen (50 km east of Frankfurt/M.).

PEWETA DCFport24

PEWETA DCFport24 slave clocks require a PEWETA master clock (see from page 172 on).

PEWETA AirPort24

PEWETA AirPort24 slave clocks require an AirPort24 transmitter or repeater respectively (see page 177).

NTP

NTP system clocks require a PEWETA master clock (see from page 172 on) or an NTP time server (see page 179).



LED Digital Clocks with rim-circle seconds indication ideal for broadcasting facilities and places of high publicity



Indoor
digital
single-sided

Type series
526



83.526.551 -77 shown



83.526.551 -77 shown



83.526.551 -75 -77 shown



83.526.551 -77 -88 shown

This 400 x 400 mm wall clock as standard shows the digital time in hours and minutes and has a circumferential ring of red LED bar marks that show the seconds, counting up. An additional 8-character alphanumeric LED display line makes this clock a veritable "information centre". Depending on the features selected this clock is capable of providing all the information required for the assigned function – exact, professional, attractive, and outright reliable!

Possible indications:

- 8-digit date display (25.09.2023)
- day of the week, spelled out (Monday)
- day of the week, abbreviated and date (Mon 25.09.)
- day of month and abbreviated month (25. Sep 23), multilingual
- additional display for seconds (48)
- stopwatch function (hh/mm/ss)
- temperature (20°C)
- city names at customer's choice with corresponding world time and time-zone details (city pre-sets, see pages 128 and 129).

Whether as a single clock, as a calendar clock full of information or integrated as "master" or "slave" in a World Time Display System – this clock speaks all languages and meets all demands!



Case

■ cir. 400x400 mm metal, as standard enamelled jet black (RAL 9005). Optionally, at a surcharge, custom enamelled. Protection grade IP 40 (EN 60 529).

LED digital display(s)

4-digit hour and minute display, bar-type 7-segment LED ciphers, height 57 mm, colour red. Circumferential ring of red LED bars indicating the seconds, counting up. Automatic brightness control. Hour offset or leading zero selectable via menu. Minimum 100 hours data retention in case of power loss. Operating voltage 230 VAC/50...60 Hz (12 VDC/12 VAC optional). Under specific circumstances, the bus voltage may suffice to operate PEWETA *DCFport24* version clocks²⁾.

Alphanumeric display (option)

16-segment alphanumeric LED bar character display, up to 8 characters, character height 30 mm, to display numeric and alphanumeric information, e. g. day of the week, month, date, and seconds. At a surcharge, end times (stopwatch mode, option) or city names (option), can be displayed. Selection via menu. Alternating display possible. Various languages.

Front glass

Flat, shock-resistant Plexiglas®.

World Time Display System (option)

PEWETA LED digital clocks can be integrated into a professional and intelligent World Time Display System by the PEWETA *digital RS 485* data bus. Each individual LED digital clock receives the "pre-sets" pertaining to various time zones and city names. Upon selection of a time zone, local time will be displayed, regarding zone offset and local change-over dates for summer and winter time.

Stopwatch mode (option)

These clocks can be fitted with an additional stopwatch mode (count-up/count-down). The 8-digit alphanumeric display (option) will show hours, minutes and seconds, counting up from start or down from a pre-selected value. This mode is controlled by a wire-bound »Basic PRO« control unit (accessory). For technical data see page 133.



Indoor digital single-sided

| Clock type | Operating voltage | Item No. | € each |
|--|-------------------|------------|---------|
| Quartz clock | 230 VAC | 42.526.551 | 1,490.– |
| DCF77 radio controlled clock ¹⁾ | 230 VAC | 52.526.551 | 1,650.– |
| Slave clock, minute pulse 24 V | 230 VAC | 71.526.551 | 1,580.– |
| Telegram slave clock, <i>DCFport24</i> , 24 V ²⁾ | <i>DCFport24</i> | 81.526.551 | 1,580.– |
| Telegram slave clock, <i>DCFport24</i> , 12/24 V | 230 VAC | 83.526.551 | 1,580.– |
| RC telegram slave clock, <i>AirPort24</i> , with outage reserve | 230 VAC | 85.526.551 | 1,690.– |
| NTP system clock (NTP client), synchronisation by LAN, PoE ³⁾ | PoE | 91.526.551 | 1,640.– |
| NTP system clock (NTP client), synchronisation by LAN ⁴⁾ | 230 VAC | 93.526.551 | 1,670.– |

| Accessories | Item No. | € each |
|---|------------|---------|
| Remote control unit "Basic PRO" for stopwatch function, PEWETA <i>digital RS485</i> version ⁵⁾ | 43.548.251 | 1,250.– |
| Remote control unit "Basic PRO" for stopwatch function, NTP/PoE version ⁶⁾ | 91.548.251 | 1,290.– |

| Options | Suffix | Surcharge € each |
|---|--------|------------------|
| Case custom enamelled | -10 | on request |
| Operating voltage 12 VDC (instead of 230 VAC) | -70 | none |
| Stopwatch mode »count-up/count-down« (control unit is an accessory) | -71 | 169.– |
| City pre-sets for World Time Clock Systems | -75 | 139.– |
| Additional 8-character alphanumeric display | -77 | 295.– |
| PEWETA <i>digital RS 485</i> master (output) | -82 | 100.– |
| PEWETA <i>digital RS 485</i> slave (input) | -83 | 100.– |
| Alternating temperature display (external temperature sensor included) | -88 | 295.– |
| Input for GPS radio control, incl. GPS receiving aerial (IP 65/EN 60 529) | -95 | 695.– |

Options – just as you like them ...

These clocks are available optionally with customised features at the surcharges as listed. Just pick your option(s) and add the appropriate suffix(es) to the Item No.

¹⁾ A remotable DCF77 receiving aerial is included in delivery shipment.

²⁾ Due to power consumption the number of clocks within the system/network is limited. Please ask for details when interested.

³⁾ NTP system clocks of "PoE" type require a PoE (Power over Ethernet) power supply. Appropriate hardware has to be supplied by customer.

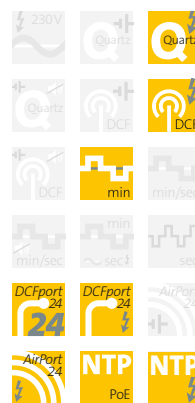
⁴⁾ NTP system clocks require a LAN connection. Appropriate hardware has to be supplied by customer.

⁵⁾ Works with LED digital clocks including the PEWETA *digital RS485* »master« option only.

⁶⁾ Works with NTP system clock (NTP client) clock types only.

Type series

526



DCF77 radio controlled clocks

DCF77 radio controlled clocks of this type series will be supplied including a remotable DCF77 aerial (IP 68). Thus, optimum reception quality can be achieved regardless of the final placement of the clock itself. However, DCF77 radio controlled clocks will only function correctly within a radius of approx. 1,500 km around Mainflingen (50 km east of Frankfurt/M.).

PEWETA *DCFport24*

PEWETA *DCFport24* slave clocks require a PEWETA master clock (see from page 172 on).

PEWETA *AirPort24*

PEWETA *AirPort24* slave clocks require an *AirPort24* transmitter or repeater respectively (see page 177).

NTP

NTP system clocks require a PEWETA master clock (see from page 172 on) or an NTP time server (see page 179).



43.548.251

LED World Time Clocks

as stand-alone units or combined into an integrated system



Indoor digital single-sided

Type series

535



42.535.521 shown



42.535.531 shown

These PEWETA World Time Displays can be used as stand-alone units as well as combined with further LED World Time Displays into an integrated system. Permanent text overlays below the time displayed indicate the names of the cities chosen. The software already contains the "pre-sets" pertaining to various time zones and city names, so that all units can easily be set up to always show the correct time.



42.535.911 shown

LED digital clock, 4 digits, cipher height 100 mm, local time display



Case

- cir. 520x250x43 mm
 - cir. 770x250x43 mm
- sturdy metal case for on-wall mounting, as standard enamelled jet black (RAL 9005). Optionally, at a surcharge, custom enamelled.
Protection grade IP 40 (EN 60529).

LED digital display

- Cipher height 57 mm, 4 digits, for world time displays
 - Cipher height 100 mm, 4 or 6 digits, for local time displays
- bar-type 7-segment LED ciphers, colour red (optionally, at a surcharge, amber, green or blue), automatic brightness control. Hour offset or leading zero may be selected via menu. Minimum 100 hours data retention in case of power loss. Operating voltage 230 VAC/50...60 Hz.

Front glass

Flat acrylic glass

City "pre-set"

City "pre-sets" turn any PEWETA LED digital clock into an intelligent, professional World Time Clock. Each display unit will receive a custom "pre-set" according to the name of the city chosen by the customer. This setting includes the individual time zone and the individual dates for change-over from summer to winter time and vice versa. Manual adjustment by menu is possible.

Alphanumeric LED digital display (option)

Alphanumeric LED digital display for city names instead of text overlays. 16-segment LED readout, max. 8 characters, character height 30 mm. The time zone desired and the name of the city are set by internal menu and may be changed at any time.

Case options

On request, we offer further case variations for our LED World Time Clocks. Everything is possible: **stainless steel front panels**, cases for **in-wall mounting** or **double-sided** displays! Tell us about your requirements and we will be pleased to submit our quotation.



Display 42.535.521 with stainless steel front panel



42.535.521 -72 shown



Indoor digital single-sided

Type series
535



| Clock type | Cipher height | Dimensions (WHD) | Item No. | € each |
|---|---------------|--------------------|------------|---------|
| World time display with 2 world times (hour/minute) | 57 mm | cir. 520x250x43 mm | 42.535.521 | 1,450.- |
| World time display with 3 world times (hour/minute) | 57 mm | cir. 770x250x43 mm | 42.535.531 | 1,950.- |
| Local time display, 4 digits (hour/minute) | 100 mm | cir. 520x250x43 mm | 42.535.911 | 1,250.- |
| Local time display, 6 digits (hour/minute/second) | 100 mm | cir. 770x250x43 mm | 42.535.921 | 1,490.- |

| Accessory | Item No. | € each |
|---|------------|--------|
| External DCF77 receiving aerial (IP 68) for synchronisation with local time | 03.925.151 | 174.- |

| Options | Suffix | Surcharge € each |
|---|--------|------------------|
| Alphanumeric LED display for city names (instead of fixed overlay), 8 digits, cipher height 30 mm (surcharge per display/time zone) | -72 | 339.- |
| Amber LEDs (57 mm cipher height only, surcharge per display/time zone) | -78 | 49.- |
| Green LEDs (57 mm cipher height only, surcharge per display/time zone) | -79 | 89.- |
| Blue LEDs (57 mm cipher height only, surcharge per display/time zone) | -80 | 89.- |
| DCFport24 input for synchronisation with local time | -93 | 95.- |
| AirPort24 input for synchronisation with local time | -94 | 179.- |
| Input for GPS radio control, incl. GPS aerial (IP 65/EN 60529) | -95 | 695.- |
| NTP input for system time synchronisation via LAN (optionally incl. power supply via PoE) | -98 | 179.- |

Examples of World Time Clock Systems

Compile your PEWETA World Time Clock System according to your individual ideas and requirements. Depending on the number of time zones desired, all types of PEWETA LED display units may be combined freely.



World Time Clock System with 5 time zones, consisting of 1 local time display (center) and 2 world time displays with 2 world times each



World Time Clock System with 7 time zones, consisting of 1 local time display (center) and 2 world time displays with 3 world times each



World Time Clock System with 7 time zones, consisting of 1 world time display with 3 world times and 2 world time displays with 2 world times each

DCF77 radio controlled clocks
DCF77 radio controlled clocks of this type series will be supplied including a rotatable DCF77 aerial (IP 68). Thus, optimum reception quality can be achieved regardless of the final placement of the clock itself. However, DCF77 radio controlled clocks will only function correctly within a radius of approx. 1,500 km around Mainflingen (50 km east of Frankfurt/M.).

PEWETA DCFport24
PEWETA DCFport24 slave clocks require a PEWETA master clock (see from page 172 on).

PEWETA AirPort24
PEWETA AirPort24 slave clocks require an AirPort24 transmitter or repeater respectively (see page 177).

NTP
NTP system clocks require a PEWETA master clock (see from page 172 on) or an NTP time server (see page 179).

LED Digital Clocks

as modules for mounting in 19" racks (1 modular height unit)



Indoor digital 19" rack



71.541.250 shown

Type series
540

Type series
541



DCF77 radio controlled clocks

DCF77 radio controlled clocks of this type series will be supplied including a remotable DCF77 aerial (IP 68). Thus, optimum reception quality can be achieved regardless of the final placement of the clock itself. However, DCF77 radio controlled clocks will only function correctly within a radius of approx. 1,500 km around Mainflingen (50 km east of Frankfurt/M.).

PEWETA DCFport24

PEWETA DCFport24 slave clocks require a PEWETA master clock (see from page 172 on).

PEWETA AirPort24

PEWETA AirPort24 slave clocks require an AirPort24 transmitter or repeater respectively (see page 177).

NTP

NTP system clocks require a PEWETA master clock (see from page 172 on) or an NTP time server (see page 179).

Case

19" face plate, 1 HU, aluminium, enamelled black, acrylic front glass. WxHxD: cir. 400x44x100 mm. Protection grade IP 40 (EN 60 529).

LED digital display

Display of hours, minutes, and seconds, 6 digits, bar-type 7-segment LED ciphers, height 25 mm, colour red. Choice of one or two 6-digit displays per rack module, individually selectable as either real time clock and/or stopwatch (optional). Automatic brightness control. Hour offset or leading zero may be selected via menu. Operating voltage 12 VDC (wall-plug adapter 230 VAC/12 VDC included in delivery shipment). Under specific circumstances, the bus voltage may suffice to operate PEWETA DCFport24 version clocks²⁾.

Stopwatch mode (option)

These clocks can be fitted with an additional stopwatch mode (count-up/count-down). The 6-digit numeric display (option) will show hours, minutes and seconds, counting up from start or down from a pre-selected value. This mode is controlled by a wire-bound »Basic PRO« control unit (accessory). For technical data see page 133.



43.548.251

| Single display | Operating voltage | Item No. | € each |
|--|-------------------|------------|---------|
| Quartz clock | 12 VDC | 43.540.250 | 980.– |
| DCF77 radio controlled clock ¹⁾ | 12 VDC | 53.540.250 | 1,170.– |
| Slave clock, minute pulse 24 V | 12 VDC | 71.540.250 | 1,070.– |
| Telegram slave clock, DCFport24, 24 V ²⁾ | DCFport24 | 81.540.250 | 1,070.– |
| Telegram slave clock, DCFport24, 12/24 V | 12 VDC | 83.540.250 | 1,070.– |
| RC telegram slave clock, AirPort24, with outage reserve | 12 VDC | 85.540.250 | 1,200.– |
| NTP system clock (NTP client), synchronisation by LAN, PoE ³⁾ | PoE | 91.540.250 | 1,190.– |
| NTP system clock (NTP client), synchronisation by LAN ⁴⁾ | 12 VDC | 93.540.250 | 1,190.– |

| Double display | Operating voltage | Item No. | € each |
|--|-------------------|------------|---------|
| Quartz clock | 12 VDC | 43.541.250 | 1,450.– |
| DCF77 radio controlled clock ¹⁾ | 12 VDC | 53.541.250 | 1,640.– |
| Slave clock, minute pulse 24 V | 12 VDC | 71.541.250 | 1,540.– |
| Telegram slave clock, DCFport24 ²⁾ | DCFport24 | 81.541.250 | 1,540.– |
| Telegram slave clock, DCFport24, 12/24 V | 12 VDC | 83.541.250 | 1,540.– |
| RC telegram slave clock, AirPort24, with outage reserve | 12 VDC | 85.541.250 | 1,670.– |
| NTP system clock (NTP client), synchronisation by LAN, PoE ³⁾ | PoE | 91.541.250 | 1,660.– |
| NTP system clock (NTP client), synchronisation by LAN ⁴⁾ | 12 VDC | 93.541.250 | 1,660.– |

| Accessories | Item No. | € each |
|--|------------|---------|
| Remote control unit "Basic PRO" for stopwatch function, PEWETA digital RS485 version ⁵⁾ | 43.548.251 | 1,250.– |
| Remote control unit "Basic PRO" for stopwatch function, NTP/PoE version ⁶⁾ | 91.548.251 | 1,290.– |

| Options | Suffix | Surcharge € each |
|--|--------|------------------|
| Stopwatch mode »count-up/count-down« (control unit is an accessory) | -71 | 169.– |
| PEWETA digital RS 485 master (output) | -82 | 100.– |
| PEWETA digital RS 485 slave (input) | -83 | 100.– |
| Alternating temperature display (external temperature sensor included) | -88 | 295.– |
| Input for GPS radio control, incl. GPS aerial (IP 65/EN 60 529) | -95 | 695.– |

¹⁾ A remotable DCF77 receiving aerial is included in delivery shipment.

²⁾ Due to power consumption the number of clocks within the system/network is limited. Please ask for details when interested.

³⁾ NTP system clocks of "PoE" type require a PoE (Power over Ethernet) power supply. Appropriate hardware has to be supplied by customer.

⁴⁾ NTP system clocks require a LAN connection. Appropriate hardware has to be supplied by customer.

⁵⁾ Works with LED digital clocks including the PEWETA digital RS485 »master« option only.

⁶⁾ Works with NTP system clock (NTP client) clock types only.

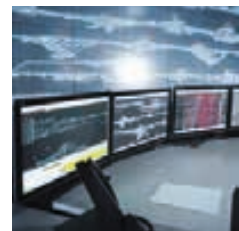


LED Digital Clocks

as modules for mounting in 19" racks (2 modular height units)



71.542.550 shown



Indoor digital 19" rack

Type series

542

Case

19" face plate, 2 HU, aluminium, enamelled black, acrylic front glass. WxHxD: cir. 400x88x40 mm. Protection grade IP 40 (EN 60 529).

LED digital display

Display of hours, minutes, and seconds, 6 digits, bar-type 7-segment LED ciphers, height 57 mm, colour red (optionally amber, green or blue at a surcharge). Automatic brightness control. Hour offset or leading zero may be selected via menu. Operating voltage 12 VDC (wall-plug adapter 230 VAC/12 VDC included in delivery shipment). Under specific circumstances, the bus voltage may suffice to operate PEWETA DCFport24 version clocks²⁾.

Stopwatch mode (option)

These clocks can be fitted with an additional stopwatch mode (count-up/count-down). The 6-digit numeric display (option) will show hours, minutes and seconds, counting up from start or down from a pre-selected value. This mode is controlled by a wire-bound »Basic PRO« control unit (accessory). For technical data see page 133.

| Single display | Operating voltage | Item No. | € each |
|--|-------------------|------------|---------|
| Quartz clock | 12 VDC | 43.542.550 | 1,100.– |
| DCF77 radio controlled clock ¹⁾ | 12 VDC | 53.542.550 | 1,290.– |
| Slave clock, minute pulse 24 V | 12 VDC | 71.542.550 | 1,190.– |
| Telegram slave clock, DCFport24, 24 V ²⁾ | DCFport24 | 81.542.550 | 1,190.– |
| Telegram slave clock, DCFport24, 12/24 V | 12 VDC | 83.542.550 | 1,190.– |
| RC telegram slave clock, AirPort24, with outage reserve | 12 VDC | 85.542.550 | 1,320.– |
| NTP system clock (NTP client), synchronisation by LAN, PoE ³⁾ | PoE | 91.542.550 | 1,310.– |
| NTP system clock (NTP client), synchronisation by LAN ⁴⁾ | 12 VDC | 93.542.550 | 1,310.– |

| Accessories | Item No. | € each |
|--|------------|---------|
| Remote control unit "Basic PRO" for stopwatch function, PEWETA digital RS485 version ⁵⁾ | 43.548.251 | 1,250.– |
| Remote control unit "Basic PRO" for stopwatch function, NTP/PoE version ⁶⁾ | 91.548.251 | 1,290.– |

| Options | Suffix | Surcharge € each |
|--|--------|------------------|
| Stopwatch mode »count-up/count-down« (control unit is an accessory) | -71 | 169.– |
| Amber LEDs | -78 | 69.– |
| Green LEDs | -79 | 125.– |
| Blue LEDs | -80 | 125.– |
| PEWETA digital RS 485 master (output) | -82 | 100.– |
| PEWETA digital RS 485 slave (input) | -83 | 100.– |
| Alternating temperature display (external temperature sensor included) | -88 | 295.– |
| Input for GPS radio control, incl. GPS aerial (IP 65/EN 60 529) | -95 | 695.– |

Options – just as you like them ...

These clocks are available optionally with customised features at the surcharges as listed. Just pick your option(s) and add the appropriate suffix(es) to the Item No.



DCF77 radio controlled clocks

DCF77 radio controlled clocks of this type series will be supplied including a removable DCF77 aerial (IP 68). Thus, optimum reception quality can be achieved regardless of the final placement of the clock itself. However, DCF77 radio controlled clocks will only function correctly within a radius of approx. 1,500 km around Mainflingen (50 km east of Frankfurt/M.).

PEWETA DCFport24

PEWETA DCFport24 slave clocks require a PEWETA master clock (see from page 172 on).

PEWETA AirPort24

PEWETA AirPort24 slave clocks require an AirPort24 transmitter or repeater respectively (see page 177).

NTP

NTP system clocks require a PEWETA master clock (see from page 172 on) or an NTP time server (see page 179).



43.548.251

¹⁾ A removable DCF77 receiving aerial is included in delivery shipment.

²⁾ Due to power consumption the number of clocks within the system/network is limited. Please ask for details when interested.

³⁾ NTP system clocks of "PoE" type require a PoE (Power over Ethernet) power supply. Appropriate hardware has to be supplied by customer.

⁴⁾ NTP system clocks require a LAN connection. Appropriate hardware has to be supplied by customer.

⁵⁾ Works with LED digital clocks including the PEWETA digital RS485 »master« option only.

⁶⁾ Works with NTP system clock (NTP client) clock types only.

LED Digital Clocks

for control panels and consoles

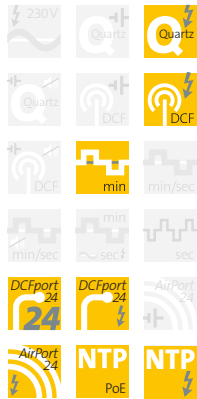


Indoor digital panel-mounted

Type series
545



71.545.250 shown



DCF77 radio controlled clocks

DCF77 radio controlled clocks of this type series will be supplied including a removable DCF77 aerial (IP 68). Thus, optimum reception quality can be achieved regardless of the final placement of the clock itself. However, DCF77 radio controlled clocks will only function correctly within a radius of approx. 1,500 km around Mainflingen (50 km east of Frankfurt/M.).

PEWETA DCFport24
PEWETA DCFport24 slave clocks require a PEWETA master clock (see from page 172 on).

PEWETA AirPort24
PEWETA AirPort24 slave clocks require an AirPort24 transmitter or repeater respectively (see page 177).

NTP

NTP system clocks require a PEWETA master clock (see from page 172 on) or an NTP time server (see page 179).

Case

For flush panel mounting, face plate stainless steel (1.4301 X5CrNi 18/10, German trade name V2A), matted finish, acrylic front glass.

W x H x D: cir. 257 x 64 x 77 mm.
Protection grade IP 40 (EN 60 529).

LED digital display

Display of hours, minutes, and seconds, 6 digits, bar-type 7-segment LED ciphers, height 25 mm, colour red. Automatic brightness control. Configurable as time display or for count-up/count-down function (option). Hour offset or leading zero may be selected via menu. Minimum 100 hours data retention in case of power loss. Operating voltage 230 VAC/50...60 Hz (12 V DC/AC optional). Under specific circumstances, the bus voltage may suffice to operate PEWETA DCFport24 version clocks²⁾.

Stopwatch mode (option)

These clocks can be fitted with an additional stopwatch mode (count-up/count-down). The 6-digit numeric display (option) will show hours, minutes and seconds, counting up from start or down from a pre-selected value. This mode is controlled by a wire-bound »Basic PRO« control unit (accessory). For technical data see page 133.



43.548.251

Technical data

| | | |
|--------------------------|-------------------------------------|-----------------------|
| Case | stainless steel V2A | matted finish |
| | dimensions (width x height x depth) | cir. 257 x 64 x 77 mm |
| | panel cut-out (width x height) | cir. 228 x 56 mm |
| Display | cipher height (hh/mm/ss) | 25 mm |
| | readability | cir. 5...7 m |
| Power consumption | | cir. 9 VA |

| Clock type | Operating voltage | Item No. | € each |
|--|-------------------|------------|---------|
| Quartz clock | 230 VAC | 42.545.250 | 950.- |
| DCF77 radio controlled clock ¹⁾ | 230 VAC | 52.545.250 | 1,140.- |
| Slave clock, minute pulse 24 V | 230 VAC | 71.545.250 | 1,040.- |
| Telegram slave clock, DCFport24, 24 V ²⁾ | DCFport24 | 81.545.250 | 1,040.- |
| Telegram slave clock, DCFport24, 12/24 V | 230 VAC | 83.545.250 | 1,040.- |
| RC telegram slave clock, AirPort24, with outage reserve | 230 VAC | 85.545.250 | 1,190.- |
| NTP system clock (NTP client), synchronisation by LAN, PoE ³⁾ | PoE | 91.545.250 | 1,160.- |
| NTP system clock (NTP client), synchronisation by LAN ⁴⁾ | 230 VAC | 93.545.250 | 1,180.- |

Accessories

| | Item No. | € each |
|--|------------|---------|
| Remote control unit "Basic PRO" for stopwatch function, PEWETA digital RS485 version ⁵⁾ | 43.548.251 | 1,250.- |
| Remote control unit "Basic PRO" for stopwatch function, NTP/PoE version ⁶⁾ | 91.548.251 | 1,290.- |

Options

| | Suffix | Surcharge € each |
|---|--------|------------------|
| Stopwatch mode »count-up/count-down« (control unit is an accessory) | -71 | 169.- |
| PEWETA digital RS 485 master (output) | -82 | 100.- |
| PEWETA digital RS 485 slave (input) | -83 | 100.- |
| Input for GPS radio control, incl. GPS aerial (IP 65/EN 60 529) | -95 | 695.- |

Options – just as you like them ...

These clocks are available optionally with customised features at the surcharges as listed. Just pick your option(s) and add the appropriate suffix(es) to the Item No.

¹⁾ A removable DCF77 receiving aerial is included in delivery shipment.

²⁾ Due to power consumption the number of clocks within the system/network is limited. Please ask for details when interested.

³⁾ NTP system clocks of "PoE" type require a PoE (Power over Ethernet) power supply. Appropriate hardware has to be supplied by customer.

⁴⁾ NTP system clocks require a LAN connection. Appropriate hardware has to be supplied by customer.

⁵⁾ Works with LED digital clocks including the PEWETA digital RS485 »master« option only.

⁶⁾ Works with NTP system clock (NTP client) clock types only.



»Basic PRO« Remote Control Unit for LED digital clocks equipped with stopwatch mode

This active, wire-bound "Basic PRO" remote control unit is capable of turning PEWETA LED digital clocks into stopwatches (stopwatch mode is an option), and acts as a terminal for their operation. Connection can be established either via PEWETA *digital RS 485* data bus or via NTP. Both versions enable synchronous count-up/count-down functions of all connected LED digital clocks. Since each clock within the system can be addressed individually, one remote control unit can control several stopwatches in various locations or several remote control units, e.g. at different work stations, can simultaneously trigger one LED stopwatch. By means of software, these functions can be flexibly defined and can be easily selected by the user.

Case

Sturdy plastic tip-up case for desktop use. Dimensions (length x width) cir. 175 x 105 mm. 5" LCD touchscreen, active area cir. 108 x 65 mm, for easy operation. The status line at the top of the screen shows the current date and time as well as the status of the *PEWETA digital RS 485* or NTP connection, respectively.

Types

- **PEWETA digital RS485**
Connection to an LED digital clock via *PEWETA digital RS485 bus*. Time and date as well as operating power are transferred to the remote control from a type *PEWETA Datenbus RS485 „master“* LED digital clock. Each remote control unit and LED digital clock can be addressed individually.
- **NTP**
This remote control unit features a network connection (RJ45). Time and date are imported via NTP. Power is supplied via PoE (Power over Ethernet). Remote control units and LED digital clocks may be individually assigned via a web browser. Operation in connection with NTP system clock (NTP client) clock types only.



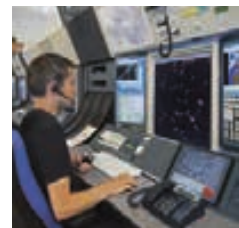
43.548.151 shown

| Type | Item No. | € each |
|--|------------|---------|
| Quartz time base, PEWETA <i>digital RS 485</i> | 43.548.151 | 1,250.– |
| NTP/PoE | 91.548.151 | 1,390.– |

| Option | Suffix | Surcharge € each |
|---|------------|------------------|
| Custom-programmed software layout and (special) functions as demanded | 05.548.200 | on request |

Functions

- **Count up**
Count up from "00:00:00"
- **Count down**
Enter a start value in hours, minutes, and seconds. Count down to "00:00:00"
- **Count down to (target time)**
Enter a target time. The time remaining will be automatically calculated and displayed. Count down to "00:00:00".



Remote control unit
for LED digital clocks

Type series

548



LCD Digital Clocks

ideal for prestigious rooms and places of high publicity



LCD digital clocks displaying hours and minutes. High definition, high contrast LCD display for outstanding readability even at extremely sharp angles.

Case

Extra flat AluNox® metal case with anodized surface.

LCD digital display

■ cipher height 90 mm

■ cipher height 140 mm

Single line LCD display, 4 digits, extra large black 9-segment ciphers showing hours and minutes. Optionally, room temperature may be displayed alternating with time.

Indoor
digital
single-sided

Type series

550



DCF77 radio controlled clocks

DCF77 radio controlled clocks will only function correctly within a radius of approx. 1,500 km around Mainflingen (50 km east of Frankfurt/M.) and under conditions of free radio propagation and may be impaired in heavily reinforced concrete structures. For this case we recommend a remotable DCF77 aerial (option).

PEWETA DCFport24
PEWETA DCFport24 slave clocks require a PEWETA master clock (see from page 172 on).

AluNox®

AluNox® is an anodised aluminium. While resistant to corrosion, detergents, and disinfectants, it is also abrasion-proof. The surface of AluNox® is visually very similar to stainless steel with a matted finish, yet is noticeably lighter and impervious against fingerprints. Therefore, AluNox® is excellently suited for areas where its visual resemblance of stainless steel will mainly serve decorative purposes.



52.550.791



52.550.991 shown

| Technical data | Cipher height 90 mm | Cipher height 140 mm |
|-------------------------------------|------------------------|------------------------|
| Case material | AluNox® | AluNox® |
| dimensions (W x H x D) | cir. 400 x 250 x 28 mm | cir. 540 x 334 x 30 mm |
| Display cipher height hours/minutes | 90 mm | 140 mm |
| reading distance | cir. 35 m | cir. 50 m |
| Weight | cir. 0.9 kg | cir. 1.2 kg |

| Clock type | Cipher height ▶ | | Cipher height | |
|--|-----------------|--------|---------------|--------|
| | 90 mm | € each | 140 mm | € each |
| DCF77 radio controlled clock, battery operated 1.5 V | 51.550.791 | 469.- | 51.550.991 | 599.- |
| DCF77 radio controlled clock, mains operated 230 VAC | 52.550.791 | 559.- | 52.550.991 | 689.- |
| Slave clock, minute pulse 12/24 V ¹⁾ | 71.550.791 | 539.- | 71.550.991 | 669.- |
| Telegram slave clock, DCFport24, 12/24 V ²⁾ | 81.550.791 | 539.- | 81.550.991 | 669.- |

| Accessory | Item No. | € each |
|--|------------|--------|
| External DCF77 receiving aerial (IP 31), for radio controlled types (required only if reception quality is poor) | 03.925.171 | 110.- |

| Options | Suffix | Surcharge € each |
|--|--------|------------------|
| Case custom enamelled | -10 | on request |
| Integrated power supply for 230 VAC mains operation instead of battery operation (on clock type 71.xxx only) | -69 | 98.- |
| Alternating room temperature display (internal temperature sensor) | -91 | 69.- |
| Alternating room temperature display (external temperature sensor, IP 31) | -92 | 99.- |

¹⁾Operation of the LCD display requires batteries (LR 6/AA type, included in delivery shipment) or an integrated power supply (optional).

²⁾Operating voltage is supplied by the master clock via DCFport24 telegram (current draw cir. 10 mA).



LCD Digital Clocks

ideal for prestigious rooms and places of high publicity

LCD digital clocks displaying hours, minutes, and seconds. High definition, high contrast LCD display for outstanding readability even at extremely sharp angles.

Case

Extra flat, sturdy plastic case enamelled metallic silver as standard.

LCD digital display

Single line LCD display with extra large black 9-segment ciphers showing hours and minutes (cipher height 75 mm), as well as seconds (cipher height 60 mm). Optionally, room temperature may be displayed alternating with time.



71.560.791 shown

| Technical data | | |
|----------------|-----------------------------|------------------------|
| Case | colour | metallic silver |
| | dimensions (W x H x D) | cir. 422 x 225 x 40 mm |
| Display | cipher height hours/minutes | 75 mm |
| | cipher height seconds | 60 mm |
| | reading distance | cir. 30 m |
| Weight | | cir. 1.23 kg |

| Clock type | Item No. | € each |
|--|------------|--------|
| DCF77 radio controlled clock, battery operated 1.5 V | 51.551.791 | 479.- |
| DCF77 radio controlled clock, mains operated 230 VAC | 52.551.791 | 569.- |
| Slave clock, minute pulse 12/24 V ¹⁾ | 71.551.791 | 549.- |
| Telegram slave clock, DCFport24, 12/24 V ²⁾ | 81.551.791 | 549.- |

| Accessory | Item No. | € each |
|--|------------|--------|
| External DCF77 receiving aerial (IP 31), for radio controlled types (required only if reception quality is poor) | 03.925.171 | 110.- |

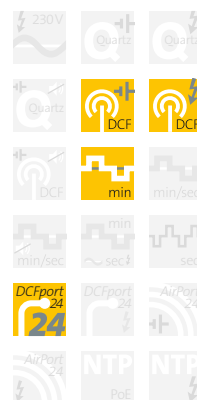
| Options | Suffix | Surcharge € each |
|--|--------|------------------|
| Case custom enamelled | -10 | on request |
| Integrated power supply for 230 VAC mains operation instead of battery operation (on clock type 71.xxx only) | -69 | 98,- |
| Alternating room temperature display (internal temperature sensor) | -91 | 69,- |
| Alternating room temperature display (external temperature sensor, IP 31) | -92 | 99,- |



Indoor digital single-sided

Type series

551



DCF77 radio controlled clocks

DCF77 radio controlled clocks will only function correctly within a radius of approx. 1,500 km around Mainflingen (50 km east of Frankfurt/M.) and under conditions of free radio propagation and may be impaired in heavily reinforced concrete structures. For this case we recommend a remotable DCF77 aerial (option).

PEWETA DCFport24
PEWETA DCFport24 slave clocks require a PEWETA master clock (see from page 172 on).

¹⁾Operation of the LCD display requires batteries (LR 6/AA type, included in delivery shipment) or an integrated power supply (optional).

²⁾Operating voltage is supplied by the master clock via DCFport24 telegram (current draw cir. 10 mA).

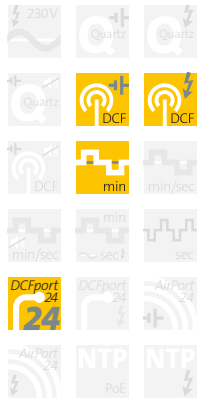
LCD Digital Clocks with Date Display

ideal for offices, conference rooms, and reception areas



Indoor
digital
single-sided

Type series
565



DCF77 radio controlled clocks

DCF77 radio controlled clocks will only function correctly within a radius of approx. 1,500 km around Mainflingen (50 km east of Frankfurt/M.) and under conditions of free radio propagation and may be impaired in heavily reinforced concrete structures. For this case we recommend a removable DCF77 aerial (option).

PEWETA DCFport24
PEWETA DCFport24 slave clocks require a PEWETA master clock (see from page 172 on).

LCD digital clocks with date display, 3 lines with the day-of-week spelled out. High definition, high contrast LCD display for outstanding readability even at extremely sharp angles.

Case

Extra flat AluNox® metal case with anodized surface.

LCD digital display

3-line LCD display with extra large black 9- and 42-segment ciphers respectively, top line showing hours and minutes (4 digits, cipher height 59 mm), middle line showing the day-of-week spelled out (10 digits, character height 22 mm), bottom line showing the date (6 digits, cipher height 38 mm). Optionally, room temperature may be displayed alternating with time or date.



51.565.391 shown

| Technical data | | |
|----------------|------------------------------|------------------------|
| Case | material | AluNox® |
| | dimensions (W x H x D) | cir. 318 x 285 x 26 mm |
| Display | cipher height hours/minutes | 59 mm |
| | character height date | 38 mm |
| | character height day-of-week | 22 mm |
| | reading distance | cir. 10 m |
| Weight | | cir. 0.9 kg |

| Clock type | Item No. | € each |
|--|------------|--------|
| DCF77 radio controlled clock, battery operated 1.5 V | 51.565.391 | 579.- |
| DCF77 radio controlled clock, mains operated 230 VAC | 52.565.391 | 669.- |
| Slave clock, minute pulse 12/24 V ¹⁾ | 71.565.391 | 649.- |
| Telegram slave clock, DCFport24, 12/24 V ²⁾ | 81.565.391 | 649.- |

| Accessory | Item No. | € each |
|--|------------|--------|
| External DCF77 receiving aerial (IP 31), for radio controlled types (required only if reception quality is poor) | 03.925.171 | 110.- |

| Options | Suffix | Surcharge € each |
|--|--------|---------------------|
| Case custom enamelled | -10 | on request |
| Integrated power supply for 230 VAC mains operation instead of battery operation (on clock type 71.xxx only) | -69 | 98,- |
| Alternating room temperature display (internal temperature sensor) | -91 | 69,- |
| Alternating room temperature display (external temperature sensor, IP 31) | -92 | 99,- |

AluNox®

AluNox® is an anodised aluminium. While resistant to corrosion, detergents, and disinfectants, it is also abrasion-proof. The surface of AluNox® is visually very similar to stainless steel with a matted finish, yet is noticeably lighter and impervious against fingerprints. Therefore, AluNox® is excellently suited for areas where its visual resemblance of stainless steel will mainly serve decorative purposes.

¹⁾Operation of the LCD display requires batteries (LR 6/AA type, included in delivery shipment) or an integrated power supply (optional).

²⁾Operating voltage is supplied by the master clock via DCFport24 telegram (current draw cir. 10 mA).



Analog Clocks with LCD Date Display

ideal for offices, conference rooms, and reception areas

Classic analog clock combined with a 2-line, high definition, high contrast LCD display showing the day-of-week and the date.

Case

Extra flat AluNox® metal case with anodized surface.

Analog clock

Mechanical analog time display, face with Arabic numerals, print diameter cir. 247 mm. Exposed, black bar-type hands indicating hours and minutes, no front glass.

LCD digital display

2-line, alphanumeric 42-segment LCD display, 12 digits, character height 26 mm, showing day-of-week spelled out and date. Various date display formats can be selected by menu. Optionally, room temperature may be displayed alternating with the date.

Protective plexiglas cover (option)

The clocks of this type series can be supplied with an additional plexiglas cover to protect the hands. Please add this option to your initial order if required. This option cannot be retrofitted.



71.568.791 shown

| Technical data | | |
|----------------|-----------------------------------|------------------------|
| Case | material | AluNox® |
| | dimensions (W x H x D) | cir. 280 x 403 x 30 mm |
| Display | cipher height hours/minutes | cir. 245 mm |
| | character height day-of-week/date | cir. 26 mm |
| | reading distance | cir. 10 m |
| Weight | | cir. 2 kg |

| Clock type | Item No. | € each |
|--|------------|--------|
| DCF77 radio controlled clock, battery operated 1.5 V | 51.568.791 | 625.- |
| DCF77 radio controlled clock, mains operated 230 VAC | 52.568.791 | 715.- |
| Slave clock, minute pulse 12/24 V ¹⁾ | 71.568.791 | 695.- |
| Telegram slave clock, DCFport24, 12/24 V ²⁾ | 81.568.791 | 695.- |

| Accessory | Item No. | € each |
|--|------------|--------|
| Protective plexiglas cover (cannot be added later) | 01.568.100 | 149.- |
| External DCF77 receiving aerial (IP 31), for radio controlled types (required only if reception quality is poor) | 03.925.171 | 110.- |

| Options | Suffix | Surcharge € each |
|--|--------|------------------|
| Integrated power supply for 230 VAC mains operation instead of battery operation (on clock type 71.xxx only) | -69 | 98,- |
| Alternating room temperature display (internal temperature sensor) | -91 | 69,- |
| Alternating room temperature display (external temperature sensor, IP 31) | -92 | 99,- |

AluNox®

AluNox® is an anodised aluminium. While resistant to corrosion, detergents, and disinfectants, it is also abrasion-proof. The surface of AluNox® is visually very similar to stainless steel with a matted finish, yet is noticeably lighter and impervious against fingerprints. Therefore, AluNox® is excellently suited for areas where its visual resemblance of stainless steel will mainly serve decorative purposes.



52.568.791 with 01.568.100

¹⁾Operation of the LCD display requires batteries (LR 6/AA type, included in delivery shipment) or an integrated power supply (optional).

²⁾Operating voltage is supplied by the master clock via DCFport24 telegram (current draw cir. 10 mA).



Indoor
analog/digital
single-sided

Type series

568



DCF77 radio controlled clocks

DCF77 radio controlled clocks will only function correctly within a radius of approx. 1,500 km around Mainflingen (50 km east of Frankfurt/M.) and under conditions of free radio propagation and may be impaired in heavily reinforced concrete structures. For this case we recommend a rotatable DCF77 aerial (option).

PEWETA DCFport24

PEWETA DCFport24 slave clocks require a PEWETA master clock (see from page 172 on).

Analog Clocks with LCD Date Display

ideal for offices, conference rooms, and reception areas



Classic analog clock combined with a high definition, high contrast LCD display showing the date.

Case

Extra flat, sturdy metal case, enamelled metallic silver.

Analog clock

Mechanical analog time display, face with black bar markings, print diameter cir. 380 mm. Exposed, black bar-type hands indicating hours and minutes, no front glass.

LCD digital display

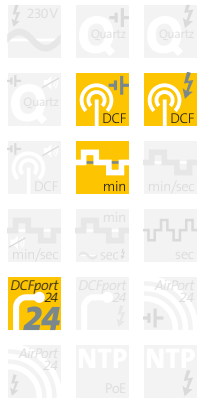
Single line alphanumeric 42-segment LCD display, 12 digits, character height 40 mm, showing the date. Various date display formats can be selected by menu. Optionally, room temperature may be displayed alternating with the date.



52.570.791 shown

Indoor
analog/digital
single-sided

Type series
570



DCF77 radio controlled clocks

DCF77 radio controlled clocks will only function correctly within a radius of approx. 1,500 km around Mainflingen (50 km east of Frankfurt/M.) and under conditions of free radio propagation and may be impaired in heavily reinforced concrete structures. For this case we recommend a remotable DCF77 aerial (option).

PEWETA DCFport24

PEWETA DCFport24 slave clocks require a PEWETA master clock (see from page 172 on).

| Technical data | | |
|--|------------------------------|------------------------|
| Case | material | aluminium |
| | colour | metallic silver |
| | dimensions (W x H x D) | cir. 430 x 525 x 30 mm |
| Display | face diameter | 380 mm |
| | cipher/character height date | 40 mm |
| | reading distance | cir. 20 m |
| Weight | | cir. 2.4 kg |
| Clock type | | |
| | Item No. | € each |
| DCF77 radio controlled clock, battery operated 1.5 V | 51.570.791 | 879.- |
| DCF77 radio controlled clock, mains operated 230 VAC | 52.570.791 | 969.- |
| Slave clock, minute pulse 12/24 V ¹⁾ | 71.570.791 | 949.- |
| Telegram slave clock, DCFport24, 12/24 V ²⁾ | 81.570.791 | 949.- |
| Accessory | | |
| | Item No. | € each |
| External DCF77 receiving aerial (IP 31), for radio controlled types (required only if reception quality is poor) | 03.925.171 | 110.- |
| Options | | |
| | Suffix | Surcharge € each |
| Integrated power supply for 230 VAC mains operation instead of battery operation (on clock type 71.xxx only) | -69 | 98,- |
| Alternating room temperature display (internal temperature sensor) | -91 | 69,- |
| Alternating room temperature display (external temperature sensor, IP 31) | -92 | 99,- |

¹⁾Operation of the LCD display requires batteries (LR 6/AA type, included in delivery shipment) or an integrated power supply (optional).

²⁾Operating voltage is supplied by the master clock via DCFport24 telegram (current draw cir. 10 mA).





LED digital displays
single-sided
indoor

LED Digital Displays

resistant to thrown balls

■ Time-/Date Displays

■ Game Result Displays (Scoreboards)

single-sided · indoor

These digital displays are champions when it comes to displaying information and results doubt-free and easy to comprehend.

Optimum clearness of display combined with premium quality – a professional choice in every aspect!

LED Digital Displays, indoor for sports, business, and industry



LED digital displays
single-sided
indoor

Type series
610



52.610.161 shown

Large, very sturdy digital displays with distinct, double-row LEDs, optimum readability for all kinds of large rooms and halls, including gymnasiums.

For sports applications, these LED digital displays can also be used as stopwatches. Besides basic count-up and count-down functions a complete training program with various cycles and breaks that starts automatically when triggered can be programmed using the infrared remote control, included in delivery shipment. An additional built-in buzzer resounding at the end of count-down, cycle and break can be supplied at a surcharge (option).



Examples show time, date, temperature (option), and stopwatch modes

LED digital displays
for outdoors

see pages
166 and 167.



Case

- cir. 830x320x90 mm (cipher height 160 mm)
 - cir. 1230x400x90 mm (cipher height 250 mm)
- very sturdy aluminium case, enamelled black.
Protection grade IP 40 (EN 60529).

Resistance to thrown balls

LED digital displays of this type series are resistant to thrown balls in accordance with German standards VDE 0710, part 13:1981-05 and DIN 18032, part 3 and thus are suitable for gymnasiums and other indoor sporting facilities.

Mounting

On-wall mounting.

Front glass

Flat shock-resistant plastic glass.

LED digital display

7-segment display technology, colour red, manual brightness control in 4 steps. 4-digit display with double-row LEDs showing hours and minutes, date, and temperature (option), either permanently or alternating, intervals adjustable. Operating voltage 230 VAC/50..60 Hz.

Infrared remote control unit

All settings and the operation of the stopwatch mode are triggered by a wireless infrared remote control unit, included in delivery shipment.

Stopwatch mode

This LED digital display can also be used as a stopwatch in count-up, count-down, and training modes. The 4-digit LED display shows minute and second readings. Operation by the wireless infrared remote control unit included.

Functions possible:

- **count-up** with split times
- **count-down** with indication of initial value
- **training** with adjustable number and duration of cycles and breaks.

Further models

of this type series with different cipher heights and/or with a 6-digit display (hh:mm:ss) are available on request.

| Technical data | | Cipher height 160 mm | Cipher height 250 mm |
|----------------|-----------------------------|------------------------|-------------------------|
| Case | colour | black (RAL 9005) | black (RAL 9005) |
| | dimensions (W x H x D) | cir. 830 x 320 x 90 mm | cir. 1230 x 400 x 90 mm |
| | weight | cir. 10 kg | cir. 15 kg |
| LED display | cipher height hours/minutes | cir. 160 mm | cir. 250 mm |
| | cipher colour | red | red |
| | reading distance | cir. 70 m | cir. 110 m |

| Type | Cipher height ▶ Operating voltage ▼ | 160 mm | | 250 mm | |
|--|--|------------|---------|------------|---------|
| | | Item No. | € each | Item No. | € each |
| Quartz clock | 230 VAC | 42.610.161 | 1,950.- | 42.610.251 | 2,690.- |
| DCF77 radio controlled clock ¹⁾ | 230 VAC | 52.610.161 | 2,250.- | 52.610.251 | 2,990.- |
| Telegram slave clock, DCFport24, 12/24 V | 230 VAC | 83.610.161 | 2,050.- | 83.610.251 | 2,790.- |

| Options | Suffix | Surcharge € each |
|---|--------|---------------------|
| Alternating temperature display, external temperature sensor (IP 54) included | -66 | 249.- |
| Built-in buzzer, automatically resounding at the end of count-down, cycle, and break respectively in stopwatch mode (duration adjustable from 0 to 4 seconds) | -67 | 295.- |

Options – just as you like them ...

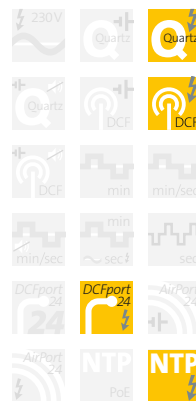
These clocks are available optionally with customised features at the surcharges as listed. Just pick your option(s) and add the appropriate suffix(es) to the Item No.



LED digital displays single-sided indoor

Type series

610



DCF77 radio controlled clocks

DCF77 radio controlled clocks of this type series will be supplied including a removable DCF77 aerial (IP 68). Thus, optimum reception quality can be achieved regardless of the final placement of the clock itself. However, DCF77 radio controlled clocks will only function correctly within a radius of approx. 1,500 km around Mainflingen (50 km east of Frankfurt/M.).

PEWETA DCFport24
PEWETA DCFport24 slave clocks require a PEWETA master clock (see from page 172 on).

LED digital displays for outdoors

see pages 166 and 167.

¹⁾A removable DCF77 receiving aerial is included in delivery shipment.

LED Game Result Displays/Scoreboards, indoor “Multisport”, for most kinds of indoor sports



LED game result displays single-sided indoor

Type series
676



“resistant to thrown balls”
acc. to VDE 0710/DIN 18032



24.676.321 shown



During basketball games, the bottom line indicates the number of team fouls

Alternatively, as a selectable setting, a red square marker can be set to indicate the 5th team foul

Game result displays/scoreboards, in 7-Segment LED display technology, cipher heights 250 mm and 200 mm respectively, reading distance up to cir. 110 m. Outstandingly suited for most kinds of indoor sports, such as indoor soccer, handball, basketball, volleyball, hockey, badminton, and table tennis.

Sturdy metal case, enamelled black, for on-wall mounting, polycarbonate front glass treated for low reflectivity, resistant to thrown balls in accordance with German standards VDE 0710, part 13:1981-05 and DIN 18032, part 3.



24.676.322 shown

Game result display board with LED text display for team names

Soccer scoreboards for outdoors

see pages 168 and 169.



■ Scoreboard 24.676.321:

- **Time display** (250 mm), 4-digit, white, showing minutes and seconds of game time, time elapsed or time-to-go
- **Real time clock** (250 mm), showing current time in hours and minutes when no game is going on (instead of game time), quartz-based, optionally DCF77 radio controlled (including receiving aerial) or connected to a PEWETA Master Clock by means of a *DCFport24* interface (accessories)
- **Score** (250 mm), 3 digits (0..199) per team, red, showing score/final result
- **Period** (200 mm), 1 digit, green, showing current period of game
- **Penalty time** (200 mm), 3 digits per team, amber, showing penalty time remaining
- **Team fouls** (200 mm), 1 digit per team, amber, showing total fouls per team during basketball games (instead of penalty time)
- **Red square marker**, 1 per team, can be set to indicate the 5th foul of a team during basketball games
- **Time-out**, 3 symbols per team (green dots), showing time-out periods taken
- **Service**, 1 symbol per team (red arrow), showing service or ball possession
- **Acoustic signal** (horn), built-in, indicates time-out, end of period or game over, may be triggered either automatically or manually (116 dB at 1 m)
- Permanent **HOME/GUEST** marking by self-adhesive film, available in various languages.

Scope of delivery

- **1 control panel**, multi-lingual, data transfer by radio, frequency 868..869 MHz (standard), or wire-based (set of wires is an accessory), with LCD display and keyboard. 13 kinds of sports stored. Additional, freely programmable mode or training mode
- **1 wall plug adapter** for charging the rechargeable batteries of the control panel
- **1 hand-held control unit** to send start, stop, and time-out commands and to trigger the horn, incl. 2 m wire for hook-up with the control panel (if required)
- **1 transport case** (cir. 355x255x86 mm) to safely store control panel, control unit, and plug adapter.

■ Scoreboard 24.676.322:

- exactly as Scoreboard 24.676.321, however, additionally with
- **LED text display** (120 mm), amber, alphanumeric, to indicate the teams' names (instead of "HOME", "GUEST"), up to 9 characters per team, or to display information/advertisements with up to 20 characters in moving-script-method (up to 1,000 characters programmable). PC keyboard with connection wire to the control panel is included.

Further models

of this type series with 150 mm LED cipher height for small (single field) sports halls are available on request.

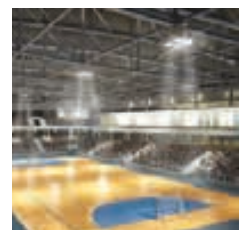
| Technical data | |
|------------------------------|--|
| Data transmission | wireless 868..869 MHz (standard) or, additionally, wire-based (set of wires is an accessory) |
| Case dimensions (WHD) | cir. 1900x1150x90 mm |
| Front cover | polycarbonate treated for low reflectivity |
| Character heights | 250 mm and 200 mm, respectively |
| Reading distance | cir. 110 m, view angle cir. 160° |
| Weight | cir. 35 kg |
| Operating voltage | mains 220..230 V AC/50..60 Hz |

| Type | Item No. | € each |
|--|------------|---------|
| Scoreboard with HOME/GUEST marking by self-adhesive film | 24.676.321 | 5,090.- |
| Scoreboard with LED text display | 24.676.322 | 6,590.- |

| Accessories | Item No. | € each |
|---|------------|--------|
| DCF77 receiving aerial (IP65) for precise local time and fully automatic change-over of summer/winter time | 03.925.185 | 295.- |
| Time display interface to import the <i>DCFport24</i> pulse telegram from a PEWETA type series 921 master clock | 04.676.000 | 95.- |
| Set of wires for wire-based or wireless data transfer from control panel to scoreboard, 10 m of wire, plug, and socket included | 04.676.001 | 160.- |
| Additional plug and socket A3 to control the panel from a further location (for wireless operation using set of wires 04.676.001) | 04.676.101 | 125.- |

Control panel and software

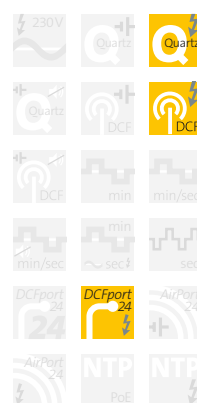
Modes for 13 different kinds of sports plus an additional, freely programmable mode and a training mode (cycles and breaks adjustable) are stored in the control panel. Various parameters, like the duration of a game, extra time, time out, etc., can be adjusted as required, e.g. for youth teams. Up to 10 individual configurations with individual names such as "handball juniors" can be saved. Software updates can be loaded by flash drive using the built-in USB interface, e.g. in case of rule changes.



LED game result displays
single-sided
indoor

Type series

676



Soccer scoreboards for outdoors

see pages 168 and 169.



LED Game Result Displays/Scoreboards, indoor with penalty time display for handball and hockey



LED game result displays single-sided indoor

Type series
676



“resistant to thrown balls”
acc. to VDE 0710/DIN 18032



24.676.541 shown

Game result displays/scoreboards, in 7-Segment LED display technology, composed of a main scoreboard and a 3-line penalty time display. As a stand-alone-unit, the main scoreboard is suited for most kinds of indoor sports. For handball and hockey, the augmenting penalty time display can show up to 3 penalty times per team, along with a 2-digit player number.

Sturdy metal case, enamelled black, for on-wall mounting, polycarbonate front glass treated for low reflectivity, resistant to thrown balls in accordance with German standards VDE 0710, part 13:1981-05 and DIN 18032, part 3.



24.676.542 shown

Game result display board with LED text display for team names

Soccer scoreboards for outdoors
see pages 168 and 169.

■ Scoreboard 24.676.541:

- **Time display** (250 mm), 4-digit, white, showing minutes and seconds of game time, time elapsed or time-to-go
- **Real time clock** (250 mm), showing current time in hours and minutes when no game is going on (instead of game time), quartz-based, optionally DCF77 radio controlled (including receiving aerial) or connected to a PEWETA Master Clock by means of a *DCFport24* interface (accessories)
- **Score** (250 mm), 3 digits (0..199) per team, red, showing score/final result
- **Period** (200 mm), 1 digit, green, showing current period of game
- **Team fouls** (200 mm), 1 digit per team, amber, showing total fouls per team during basketball games (instead of penalty time)
- **Red square marker**, 1 per team, can be set to indicate the 5th foul of a team during basketball games
- **Time-out**, 3 symbols per team (green dots), showing time-out periods taken
- **Service**, 1 symbol per team (red arrow), showing service or ball possession
- **Penalty time** (160 mm), 3 lines with 3 penalty times per team, each composed of 2-digit player number (white) and 3-digit penalty time (red), showing penalty time counting down
- **Acoustic signal** (horn), built-in, indicates time-out, end of period or game over, may be triggered either automatically or manually (116 dB at 1 m)
- Permanent **HOME/GUEST** marking by self-adhesive film, available in various languages.

Scope of delivery

- **1 control panel**, multi-lingual, data transfer by radio, frequency 868..869 MHz (standard), or wire-based (set of wires is an accessory), with LCD display and keyboard. 13 kinds of sports stored. Additional freely programmable mode or training mode
- **1 wall plug adapter** for charging the rechargeable batteries of the control panel
- **1 hand-held control unit** to send start, stop, and time-out commands and to trigger the horn, incl. 2 m wire for hook-up with the control panel (if required)
- **1 transport case** (cir. 355x255x86 mm) to safely store control panel, control unit, and plug adapter.

■ Scoreboard 24.676.542:

- exactly as Scoreboard 24.676.541, however, additionally with
- **LED text display** (120 mm), amber, alphanumeric, to indicate the teams' names (instead of "HOME", "GUEST"), up to 9 characters per team, or to display information/advertisements with up to 20 characters in moving-script-method (up to 1,000 characters programmable). PC keyboard with connection wire to the control panel is included.

Further models

with 2-line penalty time display, either below or lateral to the main scoreboard, are available on request.

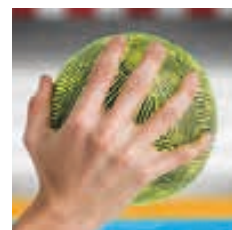
| Technical data | |
|------------------------------|--|
| Data transmission | wireless 868..869 MHz (standard) or, additionally, wire-based (set of wires is an accessory) |
| Case dimensions (WHD) | cir. 1900x2000x90 mm |
| Front cover | polycarbonate treated for low reflectivity |
| Character heights | 250 mm, 200 mm, and 160 mm, respectively |
| Reading distance | cir. 110 m, view angle cir. 160° |
| Weight | cir. 50 kg |
| Operating voltage | mains 220..230 V AC/50..60 Hz |

| Type | Item No. | € each |
|--|------------|---------|
| Scoreboard with HOME/GUEST marking by self-adhesive film | 24.676.541 | 8,090.– |
| Scoreboard with LED text display | 24.676.542 | 9,590.– |

| Accessories | Item No. | € each |
|---|------------|--------|
| DCF77 receiving aerial (IP65) for precise local time and fully automatic change-over of summer/winter time | 03.925.185 | 295.– |
| Time display interface to import the <i>DCFport24</i> pulse telegram from a PEWETA type series 921 master clock | 04.676.000 | 95.– |
| Set of wires for wire-based or wireless data transfer from control panel to scoreboard, 10 m of wire, plug, and socket included | 04.676.001 | 160.– |
| Additional plug and socket A3 to control the panel from a further location (for wireless operation using set of wires 04.676.001) | 04.676.101 | 125.– |

Control panel and software

Modes for 13 different kinds of sports plus an additional, freely programmable mode and a training mode (cycles and breaks adjustable) are stored in the control panel. Various parameters, like the duration of a game, extra time, time out, etc., can be adjusted as required, e.g. for youth teams. Up to 10 individual configurations with individual names such as "handball juniors" can be saved. Software updates can be loaded by flash drive using the built-in USB interface, e.g. in case of rule changes.



LED game result displays
single-sided
indoor

Type series

676



Soccer scoreboards for outdoors

see pages 168 and 169.

LED Game Result Displays/Scoreboards, indoor with foul displays for basketball



LED game result displays single-sided indoor

Type series
676



“resistant to thrown balls”
acc. to VDE 0710/DIN 18032



24.676.551 shown

Game result displays/scoreboards, in 7-Segment LED display technology, composed of a main scoreboard and two 12-line foul displays. As a stand-alone-unit, the main scoreboard is suited for most kinds of indoor sports. For basketball, the two augmenting displays show player numbers and the number of their personal fouls.

Sturdy metal case, enamelled black, for on-wall mounting, polycarbonate front glass treated for low reflectivity, resistant to thrown balls in accordance with German standards VDE 0710, part 13:1981-05 and DIN 18032, part 3.



24.676.552 shown

▶ Game result display board with LED text display for team names



▶ Combined game result display board with penalty time displays for handball or hockey and foul displays for basketball.
Item Numbers and prices on request

Soccer scoreboards for outdoors

see pages 168 and 169.



■ **Scoreboard 24.676.551:**

- **Time display** (250 mm), 4-digit, white, showing minutes and seconds of game time, time elapsed or time-to-go.
- **Real time clock** (250 mm), showing current time in hours and minutes when no game is going on (instead of game time), quartz-based, optionally DCF77 radio controlled (including receiving aerial) or connected to a PEWETA Master Clock by means of a DCFport24 interface (accessories)
- **Score** (250 mm), 3 digits (0..199) per team, red, showing score/final result
- **Period** (200 mm), 1 digit, green, showing current period of game
- **Penalty time** (200 mm), 3 digits per team, amber, showing penalty time counting down
- **Team fouls** (200 mm), 1 digit per team, amber, showing total fouls per team during basketball games (instead of penalty time)
- **Red square marker**, 1 per team, can be set to indicate the 5th foul of a team during basketball games
- **Time-out**, 3 symbols per team (green dots), showing time-out periods taken
- **Service**, 1 symbol per team (red arrow), showing service or ball possession
- **Personal fouls** (90 mm), 12 lines per team, each line showing a 2-digit player number (white) as well as 4 amber dots (number of fouls) and 1 red dot (5th foul)
- **Acoustic signal** (horn), built-in, indicates time-out, end of period or game over, may be triggered either automatically or manually (116 dB at 1 m)
- Permanent **HOME/GUEST** marking by self-adhesive film, available in various languages.
- **Advertising panel**, cir. 1900x850x90 mm, for application of sponsors' or advertisers' logos.

Scope of delivery

- **2 control panels**, multi-lingual, data transfer by radio, frequency 868..869 MHz (standard), or wire-based (set of wires is an accessory), with LCD display and keyboard. 13 kinds of sports stored. Additional freely programmable mode or training mode
- **1 wall plug adapter** for charging the rechargeable batteries of the control panel
- **1 hand-held control unit** to send start, stop, and time-out commands and to trigger the horn, incl. 2 m wire for hook-up with the control panel (if required)
- **2 transport cases** (cir. 355x255x86 mm) to safely store control panels, control unit, and plug adapter.

■ **Scoreboard 24.676.552:**

- exactly as Scoreboard 24.676.551, however, additionally with
- **LED text display** (120 mm), amber, alphanumeric, to indicate the teams' names (instead of "HOME", "GUEST"), up to 9 characters per team, or to display information/advertisements with up to 20 characters in moving-script-method (up to 1,000 characters programmable). PC keyboard with connection wire to the control panel is included.

Further models

with an additional penalty time display below the main scoreboard and/or with different cipher heights are available on request.

| Technical data | |
|------------------------------|--|
| Data transmission | wireless 868..869 MHz (standard) or, additionally, wire-based (set of wires is an accessory) |
| Case dimensions (WHD) | cir. 3200x2000x90 mm |
| Front cover | polycarbonate treated for low reflectivity |
| Character heights | 250 mm, 200 mm, and 90 mm, respectively |
| Reading distance | cir. 110 m, view angle cir. 160° |
| Weight | cir. 120 kg |
| Operating voltage | mains 220..230 V AC/50..60 Hz |

| Type | Item No. | € each |
|--|------------|----------|
| Scoreboard with HOME/GUEST marking by self-adhesive film | 24.676.551 | 11,990.- |
| Scoreboard with LED text display | 24.676.552 | 13,490.- |

| Accessories | Item No. | € each |
|---|------------|--------|
| DCF77 receiving aerial (IP65) for precise local time and fully automatic change-over of summer/winter time | 03.925.185 | 295.- |
| Time display interface to import the DCFport24 pulse telegram from a PEWETA type series 921 master clock | 04.676.000 | 95.- |
| Set of wires for wire-based or wireless data transfer from control panel to scoreboard, 10 m of wire, plug, and socket included | 04.676.001 | 160.- |
| Additional plug and socket A3 to control the panel from a further location (for wireless operation using set of wires 04.676.001) | 04.676.101 | 125.- |

Control panel and software

Modes for 13 different kinds of sports plus an additional, freely programmable mode and a training mode (cycles and breaks adjustable) are stored in the control panel. Various parameters, like the duration of a game, extra time, time out, etc., can be adjusted as required, e.g. for youth teams. Up to 10 individual configurations with individual names such as "handball juniors" can be saved. Software updates can be loaded by flash drive using the built-in USB interface, e.g. in case of rule changes.



LED game result displays
single-sided
indoor

Type series

676



Soccer scoreboards for outdoors

see pages 168 and 169.



LED 14-/24-Second Display Boards, indoor for basketball, with or without time display



LED game result displays single-sided indoor

Type series
676



Augmenting display boards, resistant to thrown balls, for displaying attack time during a basketball game (24-seconds-rule). Shipment in pairs. Operation in connection with an LED scoreboard of type series 676 only!

Sturdy black plastic case for on-wall mounting or for mounting on substructure supplied by client. Polycarbonate front glass treated for low reflectivity, resistant to thrown balls in accordance with German standards VDE 0710, part 13:1981-05 and DIN 18032, part 3.

- **Type 24.676.613:**
 - **Attack time (230 mm)**, 2-digit, red, showing the duration of current attack (adjustable to 14 or 24 seconds), counting down. Tenths of seconds shown during final 5 seconds
 - **State of game**, 1 illuminated red dot, showing time-out
 - **Acoustic signal** (horn), built-in, automatically resounds after end of attack time (116 dB at 1 m).
- **Type 24.676.622:**
 - **Time display (160 mm)**, 4-digit, amber, showing game time elapsed (taken over from main scoreboard)
 - **Attack time (250 mm)**, 2-digit, red, showing the duration of current attack (adjustable to 14 or 24 seconds), counting down. Tenths of seconds shown during final 5 seconds
 - **State of game**, 1 illuminated red dot, showing time-out
 - **Acoustic signal** (horn), built-in, automatically resounds after end of attack time (116 dB at 1 m).

Scope of delivery

- **2 displays** acc. to description
- **1 hand-held control unit** to be connected to the control unit of the main scoreboard, including 2 m of wire. Separate keys to adjust to 14 or 24 seconds (new FIBA rule of October 2014)
- **1 transport case** (cir. 265x225x50 mm) to safely store control unit and wire.

Further models

of these 14-/24-second display boards for stand-alone operation (without connection to a main LED scoreboard of type series 676) available on request.



24.676.622 shown

| Technical data | |
|-------------------|--|
| Data transmission | via main display panel |
| Front cover | polycarbonate treated for low reflectivity |
| Reading distance | cir. 80 m |
| Weight per unit | cir. 2,5 kg (24.676.613), cir. 6 kg (24.676.622) |
| Operating voltage | mains 220..230 V AC/50..60 Hz |

| Type | Cipher heights | Dimensions WHD per display | Item No. | € each |
|--|----------------|----------------------------|------------|---------|
| 1 line, without (game) time display | 230 mm | 500x300x65 mm | 24.676.613 | 1,995.- |
| 2 lines, with (game) time display | 160/250 mm | 870x570x90 mm | 24.676.622 | 4,995.- |



24.676.613 shown

Soccer scoreboards for outdoors
see pages 168 and 169.





Outdoor
analog and
digital
single, double
and four faces

Outdoor Clocks

analog and digital
single, double and four faces

Time displayed outdoors, in a modern analog clock or displayed digitally alternating with date and temperature, ideally combined with your company's logo, has always been and still is a public service information in high demand. Take advantage of this demand by using PEWETA outdoor clocks and display systems! Water protected and resistant against weather and other environmental influences.

Outdoor Clocks

single face, round, not backlighted



Outdoor analog single face

Type series

730



71.730.421 shown

Extraordinarily sturdy **high quality industrial grade** outdoor clocks. Solid workmanship, not backlighted, weather protected case (IP 54/EN 60 529).

Also available "resistant to thrown balls" according to DIN 18032, part 3.



71.730.411

Indoor clocks resistant to thrown balls

see pages 64 ... 67.



Case

- cir. 446 mm diameter
- cir. 546 mm diameter
- cir. 646 mm diameter

very sturdy metal case, enamelled metallic dark gun metal (DB 703) or, as an option, enamelled in metallic silver grey (RAL 9006) or custom enamelled, as listed below. Extraordinarily solid construction, absolutely corrosion resistant and weatherproof.

Protection grade IP 54 (EN 60 529).
Mounting
 Wall mounting.

Resistance to thrown balls

acc. to DIN 18032, part 3 (option)
 Clocks of this type series are also available resistant to thrown balls and thus suitable for school yards and sporting facilities. Very sturdy case with three-point mounting as a safeguard, proof against wrenching of the hook. Front glass is a 2-layer laminated safety glass, 6 mm thick. The clocks are certified and labelled "resistant to thrown balls according to DIN 18032, part 3".

Front glass

Flat shock-resistant Plexiglas® XT (PMMA) as standard.

Face

High distinction white metal, choice of large black Arabic numerals or large black DIN bar markings. Very distinctive and easy doubt-free reading even over longer distances. Visible face diameter 420 mm, 520 mm resp. 620 mm. Faces printed according to DIN 41 091.

Hands

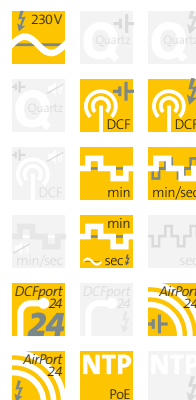
Pointed black DIN bar-type hands (DIN 41 092) for hour and minute. Red second hand on synchronous clocks (21.xxx), on minute/second pulse clocks (72.xxx) and on clocks with synchronous second hands (74.xxx) only.



Outdoor analog single face

Type series

730



DCF77 radio controlled clocks

DCF77 radio controlled clocks of this type series will be supplied including a remountable DCF77 aerial (IP 68). Thus, optimum reception quality can be achieved regardless of the final placement of the clock itself. However, DCF77 radio controlled clocks will only function correctly within a radius of approx. 1,500 km around Mainflingen (50 km east of Frankfurt/M.).

PEWETA DCFport24
 PEWETA DCFport24 slave clocks require a PEWETA master clock (see from page 172 on).

PEWETA AirPort24
 PEWETA AirPort24 slave clocks require an AirPort24 transmitter or repeater respectively (see page 177).

NTP
 NTP system clocks require a PEWETA master clock (see from page 172 on) or an NTP time server (see page 179).

| Arabic numerals ▼ Clock type | Face diameter ▶ | 420 mm Item No. | € each | 520 mm Item No. | € each | 620 mm Item No. | € each |
|---|------------------|---------------------|------------------|---------------------|------------------|---------------------|---------|
| Synchronous clock, mains operated 230 VAC/50 Hz | | 21.730.411 | 645.– | 21.730.511 | 785.– | 21.730.611 | 935.– |
| DCF77 radio controlled clock, battery operated 2 x 1.5 V ¹⁾²⁾ | | 51.730.411 | 940.– | 51.730.511 | 1,079.– | 51.730.611 | 1,290.– |
| DCF77 radio controlled clock, mains operated 230 VAC ²⁾ | | 52.730.411 | 980.– | 52.730.511 | 1,119.– | 52.730.611 | 1,330.– |
| Slave clock, minute pulse 12...60 V | | 71.730.411 | 609.– | 71.730.511 | 749.– | 71.730.611 | 899.– |
| Slave clock, minute/second pulse 12/24 V | | 72.730.411 | 834.– | 72.730.511 | 974.– | 72.730.611 | 1,124.– |
| Slave clock, min. pulse 12/24 V, synch. second hand 230 VAC/50 Hz | | 74.730.411 | 1,019.– | 74.730.511 | 1,159.– | 74.730.611 | 1,309.– |
| Telegram slave clock, DCFport24, 24 V | | 81.730.411 | 699.– | 81.730.511 | 839.– | 81.730.611 | 989.– |
| RC telegram slave clock, AirPort24, battery op. 1.5 V ¹⁾ | | 84.730.411 | 824.– | 84.730.511 | 964.– | 84.730.611 | 1,114.– |
| RC telegram slave clock, AirPort24, mains operated 230 VAC, with outage reserve | | 85.730.411 | 864.– | 85.730.511 | 1,004.– | 85.730.611 | 1,154.– |
| NTP system clock (NTP client), synchronisation by LAN, PoE ³⁾ | | 91.730.411 | 929.– | 91.730.511 | 1,069.– | 91.730.611 | 1,219.– |
| DIN bar markings ▼ Clock type | Face diameter ▶ | 420 mm Item No. | € each | 520 mm Item No. | € each | 620 mm Item No. | € each |
| Synchronous clock, mains operated 230 VAC/50 Hz | | 21.730.421 | 645.– | 21.730.521 | 785.– | 21.730.621 | 935.– |
| DCF77 radio controlled clock, battery operated 2 x 1.5 V ¹⁾²⁾ | | 51.730.421 | 940.– | 51.730.521 | 1,079.– | 51.730.621 | 1,290.– |
| DCF77 radio controlled clock, mains operated 230 VAC ²⁾ | | 52.730.421 | 980.– | 52.730.521 | 1,119.– | 52.730.621 | 1,330.– |
| Slave clock, minute pulse 12...60 V | | 71.730.421 | 609.– | 71.730.521 | 749.– | 71.730.621 | 899.– |
| Slave clock, minute/second pulse 12/24 V | | 72.730.421 | 834.– | 72.730.521 | 974.– | 72.730.621 | 1,124.– |
| Slave clock, min. pulse 12/24 V, synch. second hand 230 VAC/50 Hz | | 74.730.421 | 1,019.– | 74.730.521 | 1,159.– | 74.730.621 | 1,309.– |
| Telegram slave clock, DCFport24, 24 V | | 81.730.421 | 699.– | 81.730.521 | 839.– | 81.730.621 | 989.– |
| RC telegram slave clock, AirPort24, battery op. 2 x 1.5 V ¹⁾ | | 84.730.421 | 824.– | 84.730.521 | 964.– | 84.730.621 | 1,114.– |
| RC telegram slave clock, AirPort24, mains operated 230 VAC, with outage reserve | | 85.730.421 | 864.– | 85.730.521 | 1,004.– | 85.730.621 | 1,154.– |
| NTP system clock (NTP client), synchronisation by LAN, PoE ³⁾ | | 91.730.421 | 929.– | 91.730.521 | 1,069.– | 91.730.621 | 1,219.– |
| Options | 420 mm Suffix | Surcharge € each | 520 mm Suffix | Surcharge € each | 620 mm Suffix | Surcharge € each | |
| Case enamelled in metallic silver grey RAL 9006 | -05 | none | -05 | none | -05 | none | |
| Case custom enamelled | -10 | on request | -10 | on request | -10 | on request | |
| Resistance to thrown balls acc. to DIN 18032, part 3 | -59 | 179.– | -59 | 179.– | -59 | 179.– | |

| Case colour | Suffix |
|-------------------------------|--------|
| metallic silver grey RAL 9006 | -05 |
| custom enamelled | -10 |

¹⁾ Alkaline batteries are included in delivery shipment (medium lifespan: cir. 4 years).

²⁾ A remountable DCF77 receiving aerial is included in delivery shipment.

³⁾ NTP system clocks of "PoE" type require a PoE (Power over Ethernet) power supply. Appropriate hardware has to be supplied by customer.

All prices are subject to change without notice, packing and shipping cost (see page 185) as well as VAT for deliveries within Germany added. Prices shown as of January 1st, 2024. If you have any questions or require additional information, please contact us, we will gladly give advice.

Indoor clocks resistant to thrown balls

see pages 64 ... 67.



Outdoor Clocks

double face, round, not backlighted



Outdoor
analog
double face

Type series

732



71.732.522 shown

Extraordinarily sturdy **high quality industrial grade** outdoor clocks. Solid workmanship, not backlighted, weather protected case (IP 54/EN 60 529).



71.732.512



Case

- cir. 446 mm diameter
 - cir. 546 mm diameter
 - cir. 646 mm diameter
- very sturdy metal case, enamelled metallic dark gun metal (DB 703) or, as an option, enamelled in metallic silver grey (RAL 9006) or custom enamelled, as listed below. Extraordinarily solid construction, absolutely corrosion resistant and weatherproof. Protection grade IP 54 (EN 60 529).

Mounting

Choice of double bracket wall or ceiling mounting, standard bracket length cir. 210 mm.

Front glasses

Flat shock-resistant Plexiglas® XT (PMMA).

Faces

High distinction white metal, choice of large black Arabic numerals or large black DIN bar markings. Very distinctive and easy doubt-free reading even over longer distances. Visible face diameter 420 mm, 520 mm resp. 620 mm. Faces printed according to DIN 41 049.

Hands

Pointed black DIN bar-type hands (DIN 41 092) for hour and minute.

Red second hands on minute/second pulse clocks (72.xxx) and on clocks with synchronous second hands (74.xxx) only.

Double face clocks

Double face clocks come completely wired and pre-assembled. Just mount them and plug in – that's it!



Outdoor analog double face

Type series

732



| Arabic numerals ▼ Clock type | Face diameter ▶ Mounting ▼ | 420 mm Item No. | € each | 520 mm Item No. | € each | 620 mm Item No. | € each |
|---|-------------------------------|--------------------|---------|--------------------|---------|--------------------|---------|
| DCF77 radio controlled clock, mains operated 230 VAC ¹⁾ | wall | 52.732.412 | 1,784.– | 52.732.512 | 1,955.– | 52.732.612 | 2,179.– |
| | ceiling | 52.732.413 | 1,784.– | 52.732.513 | 1,955.– | 52.732.613 | 2,179.– |
| Slave clock, minute pulse 12...60 V | wall | 71.732.412 | 1,395.– | 71.732.512 | 1,565.– | 71.732.612 | 1,785.– |
| | ceiling | 71.732.413 | 1,395.– | 71.732.513 | 1,565.– | 71.732.613 | 1,785.– |
| Slave clock, minute/second pulse 12/24 V | wall | 72.732.412 | 1,845.– | 72.732.512 | 2,015.– | 72.732.612 | 2,235.– |
| | ceiling | 72.732.413 | 1,845.– | 72.732.513 | 2,015.– | 72.732.613 | 2,235.– |
| Slave clock, minute pulse 12/24 V, synchronous second hand 230 VAC/50 Hz | wall | 74.732.412 | 2,215.– | 74.732.512 | 2,385.– | 74.732.612 | 2,605.– |
| | ceiling | 74.732.413 | 2,215.– | 74.732.513 | 2,385.– | 74.732.613 | 2,605.– |
| Telegram slave clock, DCFport24, 24 V | wall | 81.732.412 | 1,509.– | 81.732.512 | 1,679.– | 81.732.612 | 1,900.– |
| | ceiling | 81.732.413 | 1,509.– | 81.732.513 | 1,679.– | 81.732.613 | 1,900.– |
| RC telegram slave clock, AirPort24, mains operated 230 VAC, with outage reserve | wall | 85.732.412 | 1,699.– | 85.732.512 | 1,869.– | 85.732.612 | 2,090.– |
| | ceiling | 85.732.413 | 1,699.– | 85.732.513 | 1,869.– | 85.732.613 | 2,090.– |
| NTP system clock (NTP client), synchronisation by LAN, PoE ²⁾ | wall | 91.732.412 | 1,739.– | 91.732.512 | 1,909.– | 91.732.612 | 2,130.– |
| | ceiling | 91.732.413 | 1,739.– | 91.732.513 | 1,909.– | 91.732.613 | 2,130.– |

| DIN bar markings ▼ Clock type | Face diameter ▶ Mounting ▼ | 420 mm Item No. | € each | 520 mm Item No. | € each | 620 mm Item No. | € each |
|---|-------------------------------|--------------------|---------|--------------------|---------|--------------------|---------|
| DCF77 radio controlled clock, mains operated 230 VAC ¹⁾ | wall | 52.732.422 | 1,784.– | 52.732.522 | 1,955.– | 52.732.622 | 2,179.– |
| | ceiling | 52.732.423 | 1,784.– | 52.732.523 | 1,955.– | 52.732.623 | 2,179.– |
| Slave clock, minute pulse 12...60 V | wall | 71.732.422 | 1,395.– | 71.732.522 | 1,565.– | 71.732.622 | 1,785.– |
| | ceiling | 71.732.423 | 1,395.– | 71.732.523 | 1,565.– | 71.732.623 | 1,785.– |
| Slave clock, minute/second pulse 12/24 V | wall | 72.732.422 | 1,845.– | 72.732.522 | 2,015.– | 72.732.622 | 2,235.– |
| | ceiling | 72.732.423 | 1,845.– | 72.732.523 | 2,015.– | 72.732.623 | 2,235.– |
| Slave clock, minute pulse 12/24 V, synchronous second hand 230 VAC/50 Hz | wall | 74.732.422 | 2,215.– | 74.732.522 | 2,385.– | 74.732.622 | 2,605.– |
| | ceiling | 74.732.423 | 2,215.– | 74.732.523 | 2,385.– | 74.732.623 | 2,605.– |
| Telegram slave clock, DCFport24, 24 V | wall | 81.732.422 | 1,509.– | 81.732.522 | 1,679.– | 81.732.622 | 1,900.– |
| | ceiling | 81.732.423 | 1,509.– | 81.732.523 | 1,679.– | 81.732.623 | 1,900.– |
| RC telegram slave clock, AirPort24, mains operated 230 VAC, with outage reserve | wall | 85.732.422 | 1,699.– | 85.732.522 | 1,869.– | 85.732.622 | 2,090.– |
| | ceiling | 85.732.423 | 1,699.– | 85.732.523 | 1,869.– | 85.732.623 | 2,090.– |
| NTP system clock (NTP client), synchronisation by LAN, PoE ²⁾ | wall | 91.732.422 | 1,739.– | 91.732.522 | 1,909.– | 91.732.622 | 2,130.– |
| | ceiling | 91.732.423 | 1,739.– | 91.732.523 | 1,909.– | 91.732.623 | 2,130.– |

| Options | 420 mm Suffix | Surcharge € each | 520 mm Suffix | Surcharge € each | 620 mm Suffix | Surcharge € each |
|---|------------------|---------------------|------------------|---------------------|------------------|---------------------|
| Case enamelled in metallic silver grey RAL 9006 | -05 | none | -05 | none | -05 | none |
| Case custom enamelled | -10 | on request | -10 | on request | -10 | on request |

| Case colour | Suffix |
|-------------------------------|--------|
| metallic silver grey RAL 9006 | -05 |
| custom enamelled | -10 |

DCF77 radio controlled clocks

DCF77 radio controlled clocks of this type series will be supplied including a rotatable DCF77 aerial (IP 68). Thus, optimum reception quality can be achieved regardless of the final placement of the clock itself. However, DCF77 radio controlled clocks will only function correctly within a radius of approx. 1,500 km around Mainflingen (50 km east of Frankfurt/M.).

PEWETA DCFport24

PEWETA DCFport24 slave clocks require a PEWETA master clock (see from page 172 on).

PEWETA AirPort24

PEWETA AirPort24 slave clocks require an AirPort24 transmitter or repeater respectively (see page 177).

NTP

NTP system clocks require a PEWETA master clock (see from page 172 on) or an NTP time server (see page 179).

¹⁾ A rotatable DCF77 receiving aerial is included in delivery shipment.

²⁾ NTP system clocks of "PoE" type require a PoE (Power over Ethernet) power supply. Appropriate hardware has to be supplied by customer.

Outdoor Clocks (also suitable for large halls) single face, round, **backlighted by LED**



Outdoor
analog
single face

Type series

750



74.750.621 shown

Extraordinarily sturdy **high quality industrial grade** outdoor clocks, also suitable for indoors. Solid workmanship, **backlighted by LED**, weather protected case (IP 54/EN 60 529).



71.750.621 -48

Clocks of this type series with Arabic numerals bear the Item Number suffix **-48**.



Case

- cir. 670 mm diameter
- cir. 902 mm diameter

weatherproof aluminium case. Outside 2-layer tempered enamel, light grey (RAL 7035). Optionally custom enamelled, at a surcharge. Extraordinarily solid construction, incl. light fitting. Absolutely corrosion resistant and weatherproof. Protection grade IP 54 (EN 60 529).

Mounting

On-wall mounting as standard. At a surcharge, a wall or ceiling mounting bracket or a pole adapter are available as options.

Front glass

Shock-resistant, highly transparent 4 mm Plexiglas® XT. For locations prone to impact or public areas, unbreakable Makrolon® (polycarbonate) front glass is available as an option.

Face (backlighted)

Acrylic plastic, white, translucent, 5 mm thick, large black DIN bar markings (or black Arabic numerals as an option). Very distinctive and easy doubt-free reading even over longer distances.

Face printed according to DIN 41 049.

Illumination

Backlighting by durable, maintenance-free light-emitting diodes (LEDs), operating voltage 230 VAC/50...60 Hz. As an option, a light-sensitive switch can be included.

Hands

Pointed black DIN bar-type hands (DIN 41 092) for hour and minute. Distinctive red "Railway Station clock" type second hand with "eye" on slave clock with synchronous second hand (74.xxx) only.

No second hand on other clock types.



Outdoor analog single face

Type series

750



| Clock type | Face diameter ▶ | 600 mm | | 800 mm | |
|---|-----------------|------------|---------|--------------------------|---------|
| | | Item No. | € each | Item No. | € each |
| DCF77 radio controlled clock, mains operated 230 VAC ¹⁾ | | 52.750.621 | 2,110.– | 52.750.821 | 2,750.– |
| Slave clock, minute pulse 12...60 V | | 71.750.621 | 1,620.– | 71.750.821 | 2,260.– |
| Slave clock, minute pulse 12/24 V, synchronous second hand 230 VAC/50 Hz | | 74.750.621 | 2,250.– | 74.750.821 | 2,890.– |
| Telegram slave clock, DCFport24, 24 V ²⁾ | | 81.750.621 | 1,980.– | 81.750.821 ³⁾ | 2,620.– |
| RC telegram slave clock, AirPort24, mains operated 230 VAC, with outage reserve | | 85.750.621 | 2,210.– | 85.750.821 | 2,850.– |
| NTP system clock (NTP client), synchronisation by LAN, PoE ³⁾ | | 91.750.621 | 2,390.– | 91.750.821 | 3,030.– |

| Options | Suffix | Surcharge € each |
|--|--------|------------------|
| Case custom enamelled | -10 | on request |
| Case with lugs for suspension by ropes or chains (indoor mounting only) | -30 | on request |
| Wall or ceiling mounting bracket for single face outdoor clocks, standard length 240 mm | -34 | 290.– |
| Pole adapter for lateral mounting by means of stainless steel tightening straps (not included) | -35 | 415.– |
| Pole adapter for central mounting (mounting bracket, length cir. 300 mm) | -36 | on request |
| Light-sensitive switch for internal illumination | -44 | 250.– |
| Custom logo on clock face | -47 | on request |
| Face with Arabic numerals instead of DIN bar markings | -48 | on request |
| Unbreakable Makrolon® front glass instead of Plexiglas® (for 670 mm diameter clocks only) | -55 | 295.– |

Options – just as you like them ...

These clocks are available optionally with customised features at the surcharges as listed. Just pick your option(s) and add the appropriate suffix(es) to the Item No.

DCF77 radio controlled clocks
DCF77 radio controlled clocks of this type series will be supplied including a removable DCF77 aerial (IP 68). Thus, optimum reception quality can be achieved regardless of the final placement of the clock itself. However, DCF77 radio controlled clocks will only function correctly within a radius of approx. 1,500 km around Mainflingen (50 km east of Frankfurt/M.).

PEWETA DCFport24
PEWETA DCFport24 slave clocks require a PEWETA master clock (see from page 172 on).

PEWETA AirPort24
PEWETA AirPort24 slave clocks require an AirPort24 transmitter or repeater respectively (see page 177).

NTP
NTP system clocks require a PEWETA master clock (see from page 172 on) or an NTP time server (see page 179).

¹⁾ A removable DCF77 receiving aerial is included in delivery shipment.

²⁾ DCFport24 pulse telegram slave clocks with 800 mm face diameter require a 230 VAC power supply.

³⁾ NTP system clocks of "PoE" type require a PoE (Power over Ethernet) power supply. Appropriate hardware has to be supplied by customer.

Outdoor Clocks (also suitable for large halls)

double face, round, **backlighted by LED**



Outdoor
analog
double face

Type series

752



LED



74.752.622 shown

Extraordinarily sturdy **high quality industrial grade** outdoor clocks, also suitable for indoors. Solid workmanship, **backlighted by LED**, weather protected case (IP 54/EN 60 529).



71.752.622 -48

Clocks of this type series with Arabic numerals bear the Item Number suffix **-48**.





Outdoor
analog
double face

Case

- cir. 670 mm diameter
- cir. 902 mm diameter

weatherproof aluminium case. Outside 2-layer tempered enamel, light grey (RAL 7035). Optionally custom enamelled, at a surcharge. Extraordinarily solid construction, incl. light fitting. Absolutely corrosion resistant and weatherproof. Protection grade IP 54 (EN 60 529).

Mounting

Choice of wall or ceiling mounting, standard length cir. 240 mm. Optionally, at a surcharge, a ceiling suspension in extended length, cir. 480 mm, or a pole adapter are available.

Front glasses

Shock-resistant, highly transparent 4 mm Plexiglas® XT. For locations prone to impact or public areas, unbreakable Makrolon® (polycarbonate) front glasses are available as an option.

Faces (backlighted)

Acrylic plastic, white, translucent, 5 mm thick, large black DIN bar markings (or black Arabic numerals as an option). Very distinctive and easy doubt-free reading even over longer distances. Faces printed according to DIN 41 049.

Illumination

Backlighting by durable, maintenance-free light-emitting diodes (LEDs), operating voltage 230 VAC/50...60 Hz. As an option, a light-sensitive switch can be included.

Hands

Pointed black DIN bar-type hands (DIN 41 092) for hour and minute. Distinctive red "Railway Station clock" type second hands with "eye" on slave clock with synchronous second hands (74.xxx) only.

No second hands on other clock types.

| Clock type | Face diameter ▶ Mounting ▼ | 600 mm | | 800 mm | |
|---|-------------------------------|------------|---------|--------------------------|---------|
| | | Item No. | € each | Item No. | € each |
| DCF77 radio controlled clock, mains operated 230 VAC ¹⁾ | wall | 52.752.622 | 2,540.– | 52.752.822 | 3,610.– |
| | ceiling | 52.752.623 | 2,540.– | 52.752.823 | 3,610.– |
| Slave clock, minute pulse 12...60 V | wall | 71.752.622 | 2,050.– | 71.752.822 | 3,120.– |
| | ceiling | 71.752.623 | 2,050.– | 71.752.823 | 3,120.– |
| Slave clock, minute pulse 12/24 V, synchronous second hand 230 VAC/50 Hz | wall | 74.752.622 | 3,050.– | 74.752.822 | 4,120.– |
| | ceiling | 74.752.623 | 3,050.– | 74.752.823 | 4,120.– |
| Telegram slave clock, DCFport24, 24 V ²⁾ | wall | 81.752.622 | 2,410.– | 81.752.822 ²⁾ | 3,480.– |
| | ceiling | 81.752.623 | 2,410.– | 81.752.823 ²⁾ | 3,480.– |
| RC telegram slave clock, AirPort24, mains operated 230 VAC, with outage reserve | wall | 85.752.622 | 2,640.– | 85.752.822 | 3,710.– |
| | ceiling | 85.752.623 | 2,640.– | 85.752.823 | 3,710.– |
| NTP system clock (NTP client), synchronisation by LAN, PoE ³⁾ | wall | 91.752.622 | 2,820.– | 91.752.822 | 3,890.– |
| | ceiling | 91.752.623 | 2,820.– | 91.752.823 | 3,890.– |

| Options | Suffix | Surcharge € each |
|--|--------|---------------------|
| Case custom enamelled | -10 | on request |
| Case with lugs for suspension by ropes or chains (indoor mounting only) | -30 | on request |
| Ceiling suspension extended length, cir. 480 mm | -32 | 195.– |
| Pole adapter for lateral mounting by means of stainless steel tightening straps (not included) | -35 | 125.– |
| Pole adapter for central mounting (mounting bracket, length cir. 300 mm) | -36 | on request |
| Light-sensitive switch for internal illumination | -44 | 250.– |
| Custom logo on clock face | -47 | on request |
| Face with Arabic numerals instead of DIN bar markings | -48 | on request |
| Unbreakable Makrolon® front glasses instead of Plexiglas® (for 670 mm diameter clocks only) | -56 | 590.– |

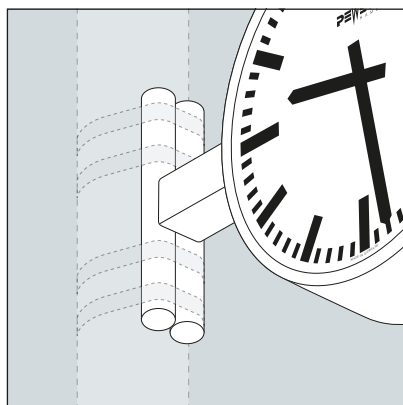
Options – just as you like them ...

These clocks are available optionally with customised features at the surcharges as listed. Just pick your option(s) and add the appropriate suffix(es) to the Item No.

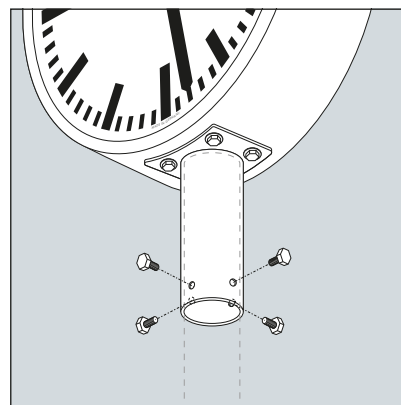
¹⁾ A remutable DCF77 receiving aerial is included in delivery shipment.

²⁾ DCFport24 pulse telegram slave clocks with 800 mm face diameter require a 230 VAC power supply.

³⁾ NTP system clocks of "PoE" type require a PoE (Power over Ethernet) power supply. Appropriate hardware has to be supplied by customer.



Pole adapter for lateral mounting by means of stainless steel tightening straps, suffix -35



Pole adapter for central mounting, suffix -36

Type series

752



DCF77 radio controlled clocks

DCF77 radio controlled clocks of this type series will be supplied including a remutable DCF77 aerial (IP 68). Thus, optimum reception quality can be achieved regardless of the final placement of the clock itself. However, DCF77 radio controlled clocks will only function correctly within a radius of approx. 1,500 km around Mainflingen (50 km east of Frankfurt/M.).

PEWETA DCFport24

PEWETA DCFport24 slave clocks require a PEWETA master clock (see from page 172 on).

PEWETA AirPort24

PEWETA AirPort24 slave clocks require an AirPort24 transmitter or repeater respectively (see page 177).

NTP

NTP system clocks require a PEWETA master clock (see from page 172 on) or an NTP time server (see page 179).

Outdoor Clocks (also suitable for large halls) single face, square, **backlighted by LED**



Outdoor
analog
single face

Type series

760



LED



74.760.621 shown

Extraordinarily sturdy **high quality industrial grade** outdoor clocks, also suitable for indoors. Solid workmanship, **backlighted by LED**, weather protected case (IP 54/EN 60 529).



71.760.621 -48

Clocks of this type series with Arabic numerals bear the Item Number suffix **-48**.



Case

- cir. 442 x 442 mm
- cir. 642 x 642 mm
- cir. 842 x 842 mm

weatherproof aluminium case. Outside 2-layer tempered enamel, light grey (RAL 7035). Optionally custom enamelled, at a surcharge. Extraordinarily solid construction, incl. light fitting. Absolutely corrosion resistant and weatherproof. Protection grade IP 54 (EN 60 529).

Mounting

On-wall mounting as standard. At a surcharge, a wall or ceiling mounting bracket or a pole adapter are available as options

Front glass

Shock-resistant, highly transparent 4 mm Plexiglas® XT. For locations prone to impact or public areas, unbreakable Makrolon® (polycarbonate) front glass is available as an option.

Face (backlighted)

Acrylic plastic, white, translucent, 5 mm thick, large black DIN bar markings (or black Arabic numerals as an option). Very distinctive and easy doubt-free reading even over longer distances.

Face printed according to DIN 41 049.

Illumination

Backlighting by durable, maintenance-free light-emitting diodes (LEDs), operating voltage 230 VAC/50...60 Hz. As an option, a light-sensitive switch can be included.

Hands

Pointed black DIN bar-type hands (DIN 41 092) for hour and minute. Distinctive red "Railway Station clock" type second hand with "eye" on slave clock with synchronous second hand (74.xxx) only.

No second hand on other clock types.



Outdoor analog single face

Type series 760



| Clock type | Face dimensions ▶ | 400 x 400 mm | | 600 x 600 mm | | 800 x 800 mm | |
|---|-------------------|--------------|---------|--------------|---------|--------------------------|---------|
| | | Item No. | € each | Item No. | € each | Item No. | € each |
| DCF77 radio controlled clock, mains operated 230 VAC ¹⁾ | | 52.760.421 | 1,750.– | 52.760.621 | 2,110.– | 52.760.821 | 2,750.– |
| Slave clock, minute pulse 12...60 V | | 71.760.421 | 1,260.– | 71.760.621 | 1,620.– | 71.760.821 | 2,260.– |
| Slave clock, min. pulse 12/24 V, synch. second hand 230 VAC/50 Hz | | 74.760.421 | 1,890.– | 74.760.621 | 2,250.– | 74.760.821 | 2,890.– |
| Telegram slave clock, DCFport24, 24 V ²⁾ | | 81.760.421 | 1,620.– | 81.760.621 | 1,980.– | 81.760.821 ³⁾ | 2,620.– |
| RC telegram slave clock, AirPort24, mains operated 230 VAC, with outage reserve | | 85.760.421 | 1,850.– | 85.760.621 | 2,210.– | 85.760.821 | 2,850.– |
| NTP system clock (NTP client), synchronisation by LAN, PoE ³⁾ | | 91.760.421 | 2,030.– | 91.760.621 | 2,390.– | 91.760.821 | 3,030.– |

| Options | Suffix | Surcharge € each |
|--|--------|------------------|
| Case custom enamelled | -10 | on request |
| Case with lugs for suspension by ropes or chains (indoor mounting only) | -30 | on request |
| Wall or ceiling mounting bracket for single face outdoor clocks, standard length 70 mm | -34 | on request |
| Light-sensitive switch for internal illumination | -44 | 250.– |
| Custom logo on clock face | -47 | on request |
| Face with Arabic numerals instead of DIN bar markings | -48 | on request |
| Unbreakable Makrolon® front glass instead of Plexiglas® (for 842 x 842 mm clocks only) | -55 | 395.– |

Options – just as you like them ...

These clocks are available optionally with customised features at the surcharges as listed. Just pick your option(s) and add the appropriate suffix(es) to the Item No.

DCF77 radio controlled clocks
DCF77 radio controlled clocks of this type series will be supplied including a removable DCF77 aerial (IP 68). Thus, optimum reception quality can be achieved regardless of the final placement of the clock itself. However, DCF77 radio controlled clocks will only function correctly within a radius of approx. 1,500 km around Mainflingen (50 km east of Frankfurt/M.).

PEWETA DCFport24
PEWETA DCFport24 slave clocks require a PEWETA master clock (see from page 172 on).

PEWETA AirPort24
PEWETA AirPort24 slave clocks require an AirPort24 transmitter or repeater respectively (see page 177).

NTP
NTP system clocks require a PEWETA master clock (see from page 172 on) or an NTP time server (see page 179).

¹⁾ A removable DCF77 receiving aerial is included in delivery shipment.
²⁾ DCFport24 pulse telegram slave clocks with 800 x 800 mm face dimensions require a 230 VAC power supply.
³⁾ NTP system clocks of "PoE" type require a PoE (Power over Ethernet) power supply. Appropriate hardware has to be supplied by customer.

Outdoor Clocks (also suitable for large halls) double face, square, **backlighted by LED**



Outdoor
analog
double face

Type series

762



LED



74.762.622 shown

Extraordinarily sturdy **high quality industrial grade** outdoor clocks, also suitable for indoors. Solid workmanship, **backlighted by LED**, weather protected case (IP 54/EN 60 529).



71.762.622 -48

Clocks of this type series with Arabic numerals bear the Item Number suffix **-48**.



Case

- cir. 442x442 mm
- cir. 642x642 mm
- cir. 842x842 mm

weatherproof aluminium case. Outside 2-layer tempered enamel, light grey (RAL 7035). Optionally custom enamelled, at a surcharge. Extraordinarily solid construction, incl. light fitting. Absolutely corrosion resistant and weatherproof. Protection grade IP 54 (EN 60 529).

Mounting

Choice of wall or ceiling mounting, standard length cir. 70 mm.

Front glasses

Shock-resistant, highly transparent 4 mm Plexiglas® XT. For locations prone to impact or public areas, unbreakable Makrolon® (polycarbonate) front glasses are available as an option.

Faces (backlighted)

Acrylic plastic, white, translucent, 5 mm thick, large black DIN bar markings (or black Arabic numerals as an option). Very distinctive and easy doubt-free reading even over longer distances. Faces printed according to DIN 41 049.

Illumination

Backlighting by durable, maintenance-free light-emitting diodes (LEDs), operating voltage 230 VAC/50...60 Hz. As an option, a light-sensitive switch can be included.

Hands

Pointed black DIN bar-type hands (DIN 41 092) for hour and minute. Distinctive red "Railway Station clock" type second hands with "eye" on slave clock with synchronous second hands (74.xxx) only.

No second hands on other clock types.



Outdoor
analog
double face

Type series

762



| Clock type | Face dimensions ▶ Mounting ▼ | 400 x 400 mm | | 600 x 600 mm | | 800 x 800 mm | |
|---|---------------------------------|--------------|---------|--------------|---------|--------------------------|---------|
| | | Item No. | € each | Item No. | € each | Item No. | € each |
| DCF77 radio controlled clock, mains operated 230 VAC ¹⁾ | wall | 52.762.422 | 2,240.– | 52.762.622 | 2,540.– | 52.762.822 | 3,610.– |
| | ceiling | 52.762.423 | 2,240.– | 52.762.623 | 2,540.– | 52.762.823 | 3,610.– |
| Slave clock, minute pulse 12...60 V | wall | 71.762.422 | 1,750.– | 71.762.622 | 2,050.– | 71.762.822 | 3,120.– |
| | ceiling | 71.762.423 | 1,750.– | 71.762.623 | 2,050.– | 71.762.823 | 3,120.– |
| Slave clock, minute pulse 12/24 V, synchronous second hand 230 VAC/50 Hz | wall | 74.762.422 | 2,750.– | 74.762.622 | 3,050.– | 74.762.822 | 4,120.– |
| | ceiling | 74.762.423 | 2,750.– | 74.762.623 | 3,050.– | 74.762.823 | 4,120.– |
| Telegram slave clock, DCFport24, 24 V ²⁾ | wall | 81.762.422 | 2,110.– | 81.762.622 | 2,410.– | 81.762.822 ²⁾ | 3,480.– |
| | ceiling | 81.762.423 | 2,110.– | 81.762.623 | 2,410.– | 81.762.823 ²⁾ | 3,480.– |
| RC telegram slave clock, AirPort24, mains operated 230 VAC, with outage reserve | wall | 85.762.422 | 2,340.– | 85.762.622 | 2,640.– | 85.762.822 | 3,710.– |
| | ceiling | 85.762.423 | 2,340.– | 85.762.623 | 2,640.– | 85.762.823 | 3,710.– |
| NTP system clock (NTP client), synchronisation by LAN, PoE ³⁾ | wall | 91.762.422 | 2,520.– | 91.762.622 | 2,820.– | 91.762.822 | 3,890.– |
| | ceiling | 91.762.423 | 2,520.– | 91.762.623 | 2,820.– | 91.762.823 | 3,890.– |

| Options | Suffix | Surcharge € each |
|--|--------|---------------------|
| Case custom enamelled | -10 | on request |
| Case with lugs for suspension by ropes or chains (indoor mounting only) | -30 | on request |
| Light-sensitive switch for internal illumination | -44 | 250.– |
| Custom logo on clock face | -47 | on request |
| Face with Arabic numerals instead of DIN bar markings | -48 | on request |
| Unbreakable Makrolon® front glasses instead of Plexiglas® (for 842x842 mm clocks only) | -56 | 790.– |

Options – just as you like them ...

These clocks are available optionally with customised features at the surcharges as listed. Just pick your option(s) and add the appropriate suffix(es) to the Item No.

DCF77 radio controlled clocks

DCF77 radio controlled clocks of this type series will be supplied including a remotable DCF77 aerial (IP 68). Thus, optimum reception quality can be achieved regardless of the final placement of the clock itself. However, DCF77 radio controlled clocks will only function correctly within a radius of approx. 1,500 km around Mainflingen (50 km east of Frankfurt/M.).

PEWETA DCFport24

PEWETA DCFport24 slave clocks require a PEWETA master clock (see from page 172 on).

PEWETA AirPort24

PEWETA AirPort24 slave clocks require an AirPort24 transmitter or repeater respectively (see page 177).

NTP

NTP system clocks require a PEWETA master clock (see from page 172 on) or an NTP time server (see page 179).

¹⁾ A remotable DCF77 receiving aerial is included in delivery shipment.

²⁾ DCFport24 pulse telegram slave clocks with 800x800 mm face dimensions require a 230 VAC power supply.

³⁾ NTP system clocks of "PoE" type require a PoE (Power over Ethernet) power supply. Appropriate hardware has to be supplied by customer.

Training Clocks/Pace Clocks, for in- and outdoors, with seconds cross, **backlighted by LED**



Indoor/
Outdoor
analog
single face

Type series
765



LED



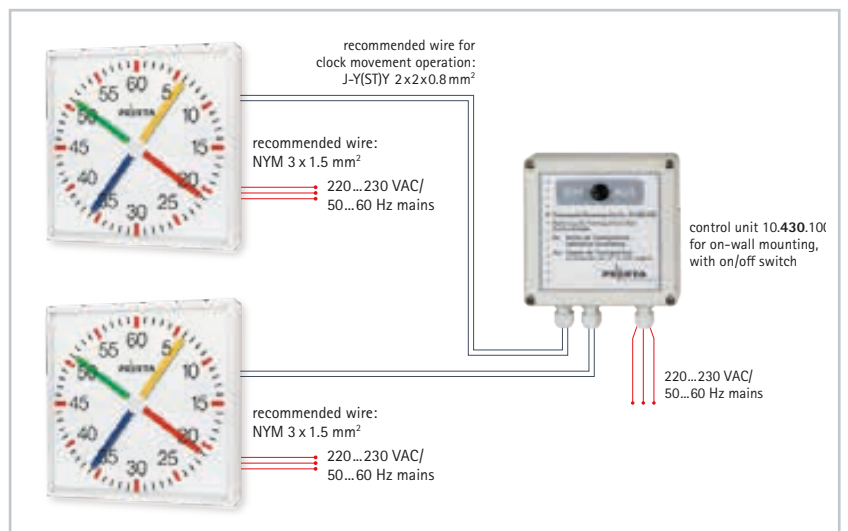
42.765.611 shown

This kind of training/pace clocks indicates split times during swim training/warm-up training. Times are taken by each swimmer individually. The 4-coloured seconds cross indicates the time elapsed, one complete turn corresponds to exactly 60 seconds.

For parallel operation of 2 training clocks, the slave clock type connected to the central control unit 10.430.100 is recommended. Thus an identical display (synchronous time) is always guaranteed on all training clocks connected.

Training clocks resistant to thrown balls
for indoors see pages 92 and 93.

Diagram shows
2 training clocks 71.765.611
with control unit 10.430.100



Case

■ cir. 642 x 642 mm weatherproof aluminium case. Outside 2-layer tempered enamel, light grey (RAL 7035). Optionally custom enamelled, at a surcharge. Extraordinarily solid construction, incl. light fitting. Absolutely corrosion resistant and weatherproof. Protection grade IP 54 (EN 60 529).

Mounting

On-wall mounting as standard. Wall or ceiling mounting bracket available at a surcharge (option).

Clock types

- Quartz movement, mains operated 230 VAC, fixed power supply.
 - Slave movement, pulse operated 24 V To be operated by control unit 10.430.100 only.
- Recommended for synchronized, parallel operation of 2 training clocks/pace clocks 71.765.611 in securely fixed position.**

Face (backlighted)

Acrylic plastic, white, translucent, 5 mm thick, with red/black second bars and black numerals. Very distinctive and easy doubt-free reading even over longer distances. Minimum reading distance 30 m.

Illumination

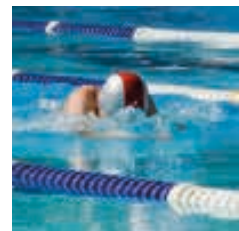
Backlighting by durable, maintenance-free light-emitting diodes (LEDs), operating voltage 230 VAC/50...60 Hz. As an option, a light-sensitive switch can be included.

Hands

Acrylic plastic 4-coloured cross, translucent, intervals in second cycles.

Front glass

Shock-resistant, highly transparent 4 mm Plexiglas® XT.



**Indoor/
Outdoor**
analog
single face

Type series

765



| Technical data | |
|---|--------------------|
| Operating power (quartz clock type, mains operated) | 220 ... 230 VAC |
| Operating power (slave clock type, pulse operated) | 24 V second pulses |
| Operating power (illumination) | 230 VAC/50-60 Hz |
| Intervals | second cycles |
| Dial sections | 0 ... 60 |
| Reading distance | min. 30 m |

| Clock type | Item No. | € each |
|--|------------|---------|
| Quartz clock, mains operated 230 VAC | 42.765.611 | 2,250.- |
| Slave clock, minute pulse 24 V (second cycles) | 71.765.611 | 2,050.- |

| Accessory | Item No. | € each |
|--|------------|--------|
| Control unit for 2 training clocks 71.765.611, operating power 220 ... 230 VAC/50 ... 60 Hz, ON/OFF switch | 10.430.100 | 349.- |

| Options | Suffix | Surcharge € each |
|--|--------|---------------------|
| Case custom enamelled | -10 | on request |
| Case with lugs for suspension by ropes or chains (indoor mounting only) | -30 | on request |
| Wall or ceiling mounting bracket for single face outdoor clocks, standard length 70 mm | -34 | on request |
| Light-sensitive switch for internal illumination | -44 | 250.- |
| Custom logo on clock face | -47 | on request |

Options – just as you like them ...

These clocks are available optionally with customised features at the surcharges as listed. Just pick your option(s) and add the appropriate suffix(es) to the Item No.

Function

The (swim) training/pace clock can be used by any number of swimmers simultaneously.

The crossed second hands show the time elapsed in seconds.

The swimmer will wait for a maximum of 14 seconds until the next colour of the four second hands ("his" colour) reaches the 12-o'clock-position and will then memorise the colour of "his" hand.

Upon reaching the edge of the pool (after 1 or 2 laps) the time elapsed can be read according to the position of "his" second hand.

**Training clocks
resistant to
thrown balls**

for indoors see pages 92 and 93.



Outdoor Clocks (also suitable for large halls)

four faces, backlighted



Outdoor
analog
four faces

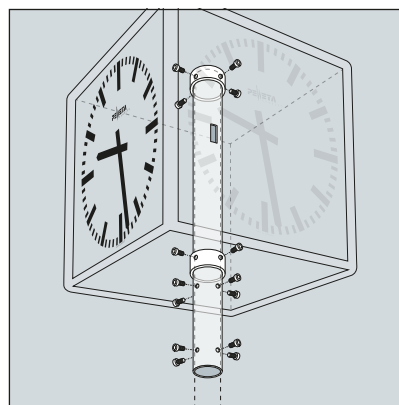
Type series
790



71.790.626 shown
with pole adapter 01.790.001

Extraordinarily sturdy **high quality industrial grade** outdoor clocks. Also suitable for indoors, e.g. for large halls. Solid workmanship, backlighted, weather protected case (IP54/EN 60 529).

We provide a ready-to-install product which can be mounted and connected without problem. The clock contains finished electrical wiring as well as mechanical fixing points for mounting. On request, we will be happy to support you with additional mounting instructions and other information.



Pole adapter 01.790.001
As a minimum, the pole must be inserted up to the floor plate of the clock case. For optimum stability, however, the pole should reach as far as the top panel of the clock case.



Different face and hand variations are possible (option).

**Clock cubes
for indoor use**

see pages 84 ... 87.



Case

- cir. 780 x 780 x 780 mm weight cir. 80 kg
- cir. 980 x 980 x 980 mm weight cir. 100 kg

Weatherproof metal case, four faces, including light fitting. Frame of extruded hollow aluminium mouldings, neatly mitred at all corners. Clock faces are attached to frame with hidden stainless steel hinges and inspection latches for maintenance access. Interior of case permanently ventilated to avoid condensation. Outside surface anodised in silver (E6/EV1) as standard, or, at a surcharge, custom enamelled (option).

Mounting

As standard, no mounting fixtures are included in delivery shipment.

Optional mounting accessories:

- A reinforced floor plate for mounting on solid ground
- A pole adapter for centred mounting, diameter adapted to the existing pole. The adapter extends from the bottom of the clock case's top panel as far as 300 mm below the floor plate of the case. The pole may be inserted into the inside of the clock case at will.

The clock case is designed for wind loads of up to cir. 0.5 KN/m² (standard value). Actual wind loads depend on the individual location and have to be accounted for locally. This considered, a sufficiently firm footing is to be made sure.

Front glasses

Single-pane safety glass (according to German safety standard ESG), embedded in permanently elastic, weatherproof special gaskets.

Faces (backlighted)

Acrylic plastic, translucent, white, 5 mm, large DIN black bar markings. Very distinctive and easy doubt-free reading even over longer distances. Other face and hand variations are available on request (options). Faces printed according to DIN 41 049.

Illumination

Fluorescent tubes for 230 VAC/50...60 Hz are installed and wired as standard. As an option, LED tubes can be included instead of fluorescent tubes.

Hands

Pointed black DIN bar-type hands (DIN 41 902) for hour and minute. Distinctive red "Railway Station clock" type second hands with "eye" on slave clock with synchronous second hands (74.xxx) only.



Outdoor analog four faces

Type series

790



DCF77 radio controlled clocks

DCF77 radio controlled clocks of this type series will be supplied including a remotable DCF77 aerial (IP 68). Thus, optimum reception quality can be achieved regardless of the final placement of the clock itself. However, DCF77 radio controlled clocks will only function correctly within a radius of approx. 1,500 km around Mainflingen (50 km east of Frankfurt/M.).

PEWETA DCFport24
PEWETA DCFport24 slave clocks require a PEWETA master clock (see from page 172 on).

PEWETA AirPort24
PEWETA AirPort24 slave clocks require an AirPort24 transmitter or repeater respectively (see page 177).

NTP
NTP system clocks require a PEWETA master clock (see from page 172 on) or an NTP time server (see page 179).

| Clock type | Face dimensions ▶ | 600 x 600 mm | | 800 x 800 mm | |
|---|-------------------|--------------|---------|--------------|---------|
| | | Item No. | € each | Item No. | € each |
| DCF77 radio controlled clock, mains operated 230 VAC ¹⁾ | | 52.790.626 | 6,230.– | 52.790.826 | 7,990.– |
| Slave clock, minute pulse 12...60 V | | 71.790.626 | 5,690.– | 71.790.826 | 7,450.– |
| Slave clock, min. pulse 12/24 V, synch. second hand 230 VAC/50 Hz | | 74.790.626 | 7,470.– | 74.790.826 | 9,230.– |
| Telegramm-Nebenuhr, DCFport24, 24 V, Netzbetrieb 230 V ²⁾ | | 83.790.626 | 6,100.– | 83.790.826 | 7,860.– |
| Funktelegramm-Nebenuhr, AirPort24, Netzbetrieb 230 V, mit Gangreserve | | 85.790.626 | 6,335.– | 85.790.826 | 8,095.– |
| NTP-Systemuhr (NTP client), Synchronisation über LAN, PoE ³⁾ | | 91.790.626 | 6,460.– | 91.790.826 | 8,220.– |

| Accessories | Item No. | € each |
|---|------------|------------|
| Pole adapter, length outside case 300 mm, for mounting on top of existing pole (measurements are to be coordinated) | 01.790.001 | 890.– |
| Reinforced floor plate, necessary for on-site mounting | 01.790.003 | 350.– |
| Shipment packing (sturdy wood crate/planking) | 01.790.004 | on request |

| Options | Suffix | Surcharge € each |
|---|--------|------------------|
| Case custom enamelled | -10 | on request |
| Case with lugs for suspension by ropes or chains (indoor mounting only) | -30 | 475.– |
| Faces with nostalgic hands and Roman numerals (instead of bar markings with bar-type hands) | -24 | on request |
| Backlighting by LED tubes (instead of fluorescent tubes) | -43 | 650.– |
| Light-sensitive switch for internal illumination | -44 | 390.– |
| Custom logo on clock face | -47 | on request |

Clocks of this type series are also available with Arabic numerals.

To order, replace the 7th digit "2" of the Item No. by "1", Example: 71.790.616. Faces with Arabic numerals.

Options – just as you like them ...

These clocks are available optionally with customised features at the surcharges as listed. Just pick your option(s) and add the appropriate suffix(es) to the Item No.

Security advice:

Fulfilment of local building standards and other pertinent safety regulations as well as preparation of the mounting surface or load bearing calculations for the foundation and wind loads on the supporting structure are always the responsibility of the customer and/or his architect/building contractor.

¹⁾ A remotable DCF77 receiving aerial is included in delivery shipment.

²⁾ DCFport24 pulse telegram slave clocks require a 230 VAC power supply.

³⁾ NTP system clocks of "PoE" type require a PoE (Power over Ethernet) power supply. Appropriate hardware has to be supplied by customer.

Clock cubes for indoor use

see pages 84 ... 87.



LED Digital Displays, outdoor

showing the time, alternating with date and temperature



Digital displays
single-sided
outdoor

Type series
810



52.810.251 shown

Large, very sturdy digital displays with distinct, double-row LEDs, optimum readability, even at longer distances.

For sports applications, these LED digital displays can also be used as stopwatches. Besides basic count-up and count-down functions a complete training program with various cycles and breaks that starts automatically when triggered can be programmed using the infrared remote control, included in delivery shipment.



Examples show time, date, temperature, and stopwatch modes

LED digital displays
for indoors

see pages
140 and 141.



Case

- cir. 830x320x90 mm (cipher height 160 mm)
 - cir. 1230x400x90 mm (cipher height 250 mm)
- very sturdy aluminium case, enamelled black.
Protection grade IP 54 (EN 60529).

Resistance to thrown balls

LED digital displays of this type series are resistant to thrown balls in accordance with German standards VDE 0710, part 13:1981-05 and DIN 18032, part 3 and thus are suitable for school yards and sporting facilities.

Mounting

On-wall mounting by means of 4 angular metal brackets (included in delivery shipment).

Front glass

Flat shock-resistant plastic glass.

LED digital display

7-segment display technology, colour red, automatic brightness control. 4-digit display with double-row LEDs showing hours and minutes, date, and temperature, either permanently or alternating, intervals adjustable.

Operating voltage 230 VAC/50..60 Hz.

Infrared remote control unit

All settings and the operation of the stopwatch mode are triggered by a wireless infrared remote control unit, included in delivery shipment.

Stopwatch mode

This LED digital display can also be used as a stopwatch in count-up, count-down, and training modes. The 4-digit LED display shows minute and second readings. Operation by the wireless infrared remote control unit included.

Functions possible:

- **count-up** with split times
- **count-down** with indication of initial value
- **training** with adjustable number and duration of cycles and breaks.

Further models

of this type series with different cipher heights and/or with a 6-digit display (hh:mm:ss) are available on request.

| Technical data | | Cipher height 160 mm | Cipher height 250 mm |
|----------------|-----------------------------|------------------------|-------------------------|
| Case | colour | black (RAL 9005) | black (RAL 9005) |
| | dimensions (W x H x D) | cir. 830 x 320 x 90 mm | cir. 1230 x 400 x 90 mm |
| | weight | cir. 10 kg | cir. 15 kg |
| LED display | cipher height hours/minutes | cir. 160 mm | cir. 250 mm |
| | reading distance | cir. 60..70 m | cir. 90..100 m |

| Type | Cipher height | Operating voltage | 160 mm Item No. | € each | 250 mm Item No. | € each |
|--|---------------|-------------------|-----------------|---------|-----------------|---------|
| Quartz clock | 230 VAC | | 42.810.161 | 2,595.- | 42.810.251 | 3,395.- |
| DCF77 radio controlled clock ¹⁾ | 230 VAC | | 52.810.161 | 2,895.- | 52.810.251 | 3,695.- |
| Telegram slave clock, DCFport24, 24 V | 230 VAC | | 83.810.161 | 2,695.- | 83.810.251 | 3,495.- |



Digital displays single-sided outdoor

Type series

810



DCF77 radio controlled clocks

DCF77 radio controlled clocks of this type series will be supplied including a remotable DCF77 aerial (IP 68). Thus, optimum reception quality can be achieved regardless of the final placement of the clock itself. However, DCF77 radio controlled clocks will only function correctly within a radius of approx. 1,500 km around Mainflingen (50 km east of Frankfurt/M.).

PEWETA DCFport24

PEWETA DCFport24 slave clocks require a PEWETA master clock (see from page 172 on).

LED digital displays for indoors

see pages 140 and 141.

¹⁾A remotable DCF77 receiving aerial is included in delivery shipment.



LED Soccer Score Display Board, outdoor showing game time and time respectively



Digital displays
single-sided
outdoor

Type series
830



 **“resistant
to thrown balls”**
acc. to VDE 0710/DIN 18032



24.830.422 shown

7-segment LED technology score display board, cipher height 460 mm, reading distance up to cir. 180 m. Suitable for soccer, rugby, and lawn hockey.

**Scoreboards
for indoors**

see pages
142 ... 148.



Case

■ cir. 2500x1800x90 mm consisting of 2 modules. Very sturdy aluminium cases, enamelled black. Protection grade IP 54 (EN 60529).

Resistance to thrown balls

The soccer score display board of this type series is resistant to thrown balls in accordance with German standards VDE 0710, part 13:1981-05 and DIN 18032, part 3 and thus are suitable for outdoor sporting facilities.

Mounting

On-wall mounting by means of 4 angular metal brackets (included in delivery shipment). Rear-side mounting bracket for attachment to an I-beam or pole pipe available on request.

Front glass

Flat shock-resistant plastic glass.

HOME/GUEST marking

Permanent marking by self-adhesive film, available in various languages.

Score display

One 2-digit display per team, 7-segment triple-row LED technology, cipher colour red, cipher height 460 mm. Manual brightness control in 9 steps triggered by the control panel.

Game time display

4-digit display with 7-segment triple-row LED technology, cipher colour red, cipher height 460 mm, showing game time in minutes and seconds during a game. Real time display showing hours and minutes when no game is going on possible. Quartz technology (DCF77 receiving aerial or time display interface to import the DCFport24 pulse telegram from a PEWETA master clock available as accessories).

Scope of delivery

- **1 control panel**, multi-lingual, transfer by radio, frequency 868 .. 869 MHz (standard), or wire-based (option), with LCD display and keyboard. Programs for soccer, rugby, and lawn hockey stored
- **1 wall plug adapter** for charging the rechargeable batteries of the control panel
- **1 transport case** (cir. 355x255x86 mm) to safely store control panel and plug adapter.

Further models

of this type series with 250 mm LED cipher height for small sports facilities or with LED text display for team names or messages in moving-script-method available on request.

| Technical data | |
|-----------------------|--|
| Data transmission | wireless 868..869 MHz |
| Case dimensions (WHD) | cir. 2500x1800x90 mm |
| Front cover | polycarbonate treated for low reflectivity |
| Cipher height | 460 mm |
| Reading distance | cir. 180 m, view angle cir. 160° |
| Weight | cir. 85 kg |
| Operating voltage | mains 220..230 V AC/50..60 Hz |

| Type | Score display | Item No. | € each |
|--|-------------------|------------|---------|
| Display board with (game) time display | 2 digits per team | 24.830.422 | 7,990.– |
| Accessories | | Item No. | € each |
| DCF77 receiving aerial (IP65) for precise local time and fully automatic change-over of summer/winter time | | 03.925.185 | 295.– |
| Time display interface to import the DCFport24 pulse telegram from a PEWETA type series 921 master clock | | 04.676.000 | 95.– |

Safety advice:

Fulfilment of local building standards and other pertinent safety regulations as well as preparation of the mounting surface or load bearing calculations for the foundation and wind loads on the supporting structure are always the responsibility of the customer and/or his architect/building contractor.



Digital displays single-sided outdoor

Type series

830



Scoreboards for indoors

see pages 142 ... 148.



Control Units

- Master Clocks/Signalling Master Clocks
- DCF77/GPS Receiving Aerials
- Booster for Master Clocks
- *AirPort24* Transmitter and Repeater
- NTP Time Server
- 19" Modular Master Clock System

Clock systems, as compared to stand-alone clocks, have one main advantage: all connected slave clocks display *identical* time. The "source of time" for this time display service always is the Master Clock.

Master Clock/ Signalling Master Clock

Using an internal quartz time base, the maximum error is cir. ± 0.1 sec. per day. If a radio receiver (DCF77 or GPS) is connected, the Master Clock will evaluate the time-and-date signals received, check for and correct any possible discrepancies and then transmit the updated time information as pulses (minute-, half minute- or second-pulses) or as a telegram (e.g. PEWETA *DCFport24* telegram by wire, *AirPort24* wireless telegram) to all connected slave clocks. Summer/winter time change-over is performed automatically. If the Master Clock is required, in addition to transmitting the time-and-date information, to effect switching operations, such as activation of optical and/or acoustic signalling devices to indicate start of work or break periods, in industry or

at schools, master clocks can be equipped with additional signal (switching) outputs. These output terminals are free-floating and capable of controlling also other external equipment, such as lighting, air conditioning, ventilation, heating or security alarm systems as well as many others.

Conventional pulse

Conventional slave clocks are advanced by alternating polarity pulses (minute-pulse or second-pulse) one time unit at a time. 4-core wire is recommended for the slave clock control line(s), recommended type is J-Y(ST)Y 2x2x0,8 mm², but existing 2-wire lines may continue in use.

DCFport24 pulse telegram

PEWETA slave clocks with *DCFport24* input are controlled by a wire-transmitted DCF77 pulse (time and date) telegram. Their advantages over conventional slave clocks are:

- extremely easy "plug-and-play" installation
- no need to watch for control line polarity
- quick initiation by automatic, extremely rapid self-adjustment to current time, regardless of position of hands on analog clocks at delivery

- Central second hand(s) available as standard for clock faces up to 400 mm diameter.
- When changing over from conventional pulse control to the PEWETA *DCFport24* pulse telegram, existing 2-wire lines or networks may continue in use. For new installations, use of 4-core wire type J-Y(ST)Y 2x2x0,8 mm² is recommended.
- There is a possibility to use existing conventional slave clocks simultaneously with new PEWETA *DCFport24* pulse telegram slave clocks. To make use of this possibility, a PEWETA Master Clock series 920 with 2 slave clock lines is required as a minimum. Parallel operation on a single slave clock line requires a PEWETA Master Clock series 921. Type of pulse and/or telegram may be assigned to each slave clock line individually.

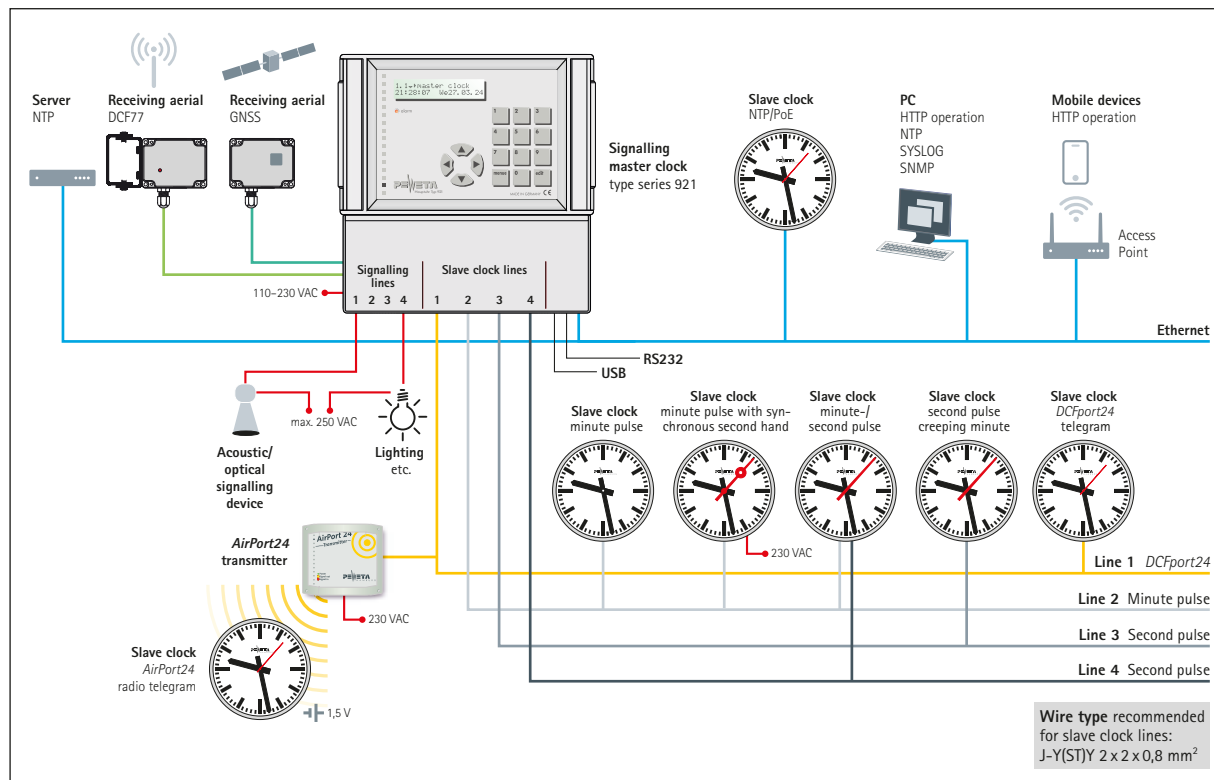
AirPort24 radio telegram (RF)

The PEWETA *AirPort24* system enables a wireless transmission of time and date information to all *AirPort24* slave clocks (868..869 MHz frequency band). For more information please ask for our data sheet.



Wiring Diagram

for PEWETA type series 921 Master Clock



Wiring diagram for type series 921 Master Clock

Slave clocks of the following types may be operated by a PEWETA type series 921 Master Clock:

Minute Pulse, 12 ... 60 V

The polarity alternating pulse is distributed by a two-wire line. In analog clocks, the minute pulse also is the power supply. Before initiation, all slave clocks must be manually pre-set to indicate the starting time. All clocks must be connected in the same polarity.

Minute and Second Pulse, 12/24 V

To control slave clocks with minute/second pulse movements, a Master Clock with a minimum of 2 slave clock lines is required. In addition to the minute pulse (see above), a polarity alternating second pulse is transmitted on a separate (!) 2-wire line. In analog clocks, the minute and second pulse also is the power supply. Before initiation, all slave clocks must be manually pre-set to indicate the starting time. All clocks must be connected in the same polarity.

Minute Pulse 12/24 V, Synchronous Second, 230 VAC/50...60 Hz

Same function as minute pulse 12...60 V, however, the creeping second hand is powered by 230 VAC/50...60 Hz mains and is synchronised to the polarity alternating minute pulse at every full minute.

Second Pulse 12/24 V with Creeping Minute

To control slave clocks with a second pulse only movement a second pulse with a 12-hour cycle is required. The polarity alternating second pulse is transmitted by a 2-wire line, the creeping minute hand is "pulled along". In analog clocks, the second pulse also is the power supply. Before initiation, all slave clocks must be manually pre-set to indicate the starting time. All clocks must be connected in the same polarity.

DCFport24 Telegram

An interference-protected DCF77 telegram (12/24 V) is transmitted by a 2-wire line. All clocks connected to the system will automatically adjust to current time (plug-and-play), independent of polarity and position of hands in analog clocks. No manual pre-setting of time is required. For analog clocks and LCD digital clocks, this also provides the operating power. Analog clocks with faces up to 400 mm diameter always come equipped with a second hand.

The DCFport24 is also capable of providing power for a limited number of LED digital clocks, otherwise, 230 VAC/50...60 Hz (for other voltages, please call us) mains power is required.

For further information please ask for our data sheet.

AirPort24 Radio Telegram

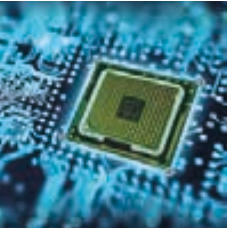
To control slave clocks by AirPort24 radio telegram, at least 1 AirPort24 transmitter, and if conditions dictate, 1 AirPort24 repeater are required, in addition to a PEWETA type 921 master clock. A wire network, as in conventional slave clock systems, is not required, complete time and date information is distributed interference-proof by RF transmission (in the 868...869 MHz UHF band) throughout a radius of cir. 250 m to all slave clocks located in this reception area. All clocks self-adjust to current time immediately and fully automatically (plug-and-play). Analog clocks may operate either on 1.5 V battery power or 230 VAC/50...60 Hz mains, LED digital clocks always need 230 VAC/50...60 Hz (other voltages/cycles on request) mains power. Analog clocks with faces up to 400 mm diameter always come equipped with a second hand.

For further information about the AirPort24 radio telegram please ask for our data sheet.

Different clock drive modes may be used in parallel on different slave clock lines.

Master Clock/Signalling Master Clock

DCF77, GPS or LAN/NTP controlled



Master Clocks/
Signalling
Master Clocks
and extras

Type series

921

Type series

925



10.921.122 shown

Typical performance data

Control of slave clocks

- **1, 2 or 4 slave clock lines**
- **Line voltage** 12 V or 24 V
- **Line mode** may be selected as
 - alternating polarity minute pulse
 - alternating polarity half-minute pulse
 - alternating polarity second pulse
 - *DCFport24* telegram
 - *DCFport24* and minute pulse, parallel operation of conventional slave clocks and *DCFport24* telegram slave clocks on a single slave clock line.
- **Pulse duration** is adjustable from .2 sec to 9.9 sec.
- **Total output power** is 1 A at 24 V line voltage to control up to
 - 160 conventional slave clocks (at 6 mA/24 V each) or up to
 - 50 PEWETA *DCFport24* telegram slave clocks, expandable by using a pulse amplifier (Item Number 10.930.124), see page 176.
- Optional **power outage reserve**, selectable for individual slave clock lines. A rechargeable 12 V/1.5 Ah NiMh battery provides for continued operation of the master clock and all connected clocks in case of a mains power outage.

- Upon **return of mains power** (e. g. after a mains outage) all connected clocks immediately readjust to current time.
- **Slave clock lines with voltage and current surveillance.** Mains power outage, overload (or low voltage when operating in memory mode) in the clock control line will cause an alarm by red LED as well as an alarm flag in the display and messages via network as SYSLOG or SNMP.
- **Slave clocks will automatically be stopped when low voltage is detected.**
- **Secondary Master Clocks** for expanding the clock system may be synchronised by the *DCFport24* output.
- For the control of world time displays, freely configurable and pre-programmed **zone times** are included.
- **1 RS232 serial interface** (output) is available for continuous transmission of time-and-date information in ASCII format.

Signalling device

- 0, 2 or 4 programmable signal contacts (switch points/free-floating contacts) capable of 250 VAC/2 A
- Choice of program run for a day, a week or a year
- 300 switch actions programmable
- ON/OFF switching or pulse action as well as suppress and release functions

- Fastest possible switching sequence: 1 second
- Fixed-program calendar through 2099
- Data retention on power outage > 5 years.

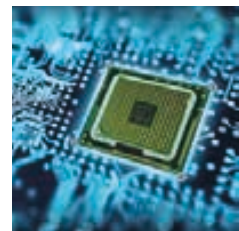
Network

- Ethernet port (RJ45)
- Easy set-up by web browser. Program slave clock lines, switch actions and system settings from a **PC**, a **tablet** or a **smartphone**
- Ethernet IEEE 802.3 10/100BASE-T: HTTP, NTP, (S)NTP, DHCP, SYSLOG, SNMP

Additional performance data

- Radio control by DCF77 (option)
- Radio control by GNSS/GPS-GLONASS-GALILEO (option)
- NTP/Network Time Protocol input terminal (RJ45) for synchronisation by LAN (option)
- Alphanumeric LCD display for user-friendly dialog-type navigation, time-and-date readout and alarm indications
- PIN-coded keyboard lock
- A temperature compensated crystal oscillator (TCXO) ensures a deviation of less than 0.1 seconds/day during autonomous operation
- USB 2.0 Type A port for software updates by USB stick.





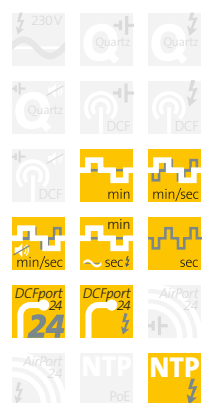
Master Clocks/ Signalling Master Clocks and extras

Type series

921

Type series

925



| Technical data | | |
|--------------------|------------------------------|---|
| Case | width x height x depth | cir. 236x239x85 mm |
| | material | ABS |
| | colour | RAL 7035 (light grey) |
| | weight | cir. 2.5 kg (incl. power outage batteries) |
| Milieu | VDE classification | I |
| | protection grade (EN 60529) | IP 32 |
| | surrounding temperature | 0 °C up to 40 °C |
| Electrical values | mains voltage | 220..230 V AC/50...60 Hz |
| | power consumption | 1.5...38 VA |
| | line voltage/pulse mode | 12 V or 24 V |
| Total power output | 24 V minute pulse | 1000 mA max. (for up to 160 slave clocks at 6 mA) |
| | 24 V second pulse | 500 mA max. (for up to 80 slave clocks at 6 mA) |
| | DCFport24 telegram 24 V | 600 mA max. (for up to 50 slave clocks at 12 mA) |
| | DCFport24+ minute pulse 24 V | 600 mA max. (for up to 50 slave clocks at 12 mA) |
| Network | topology | Ethernet IEEE 802.3 |
| | bit rate | 10/100BASE-T |
| | connector | RJ45 |
| | network configuration | DHCP/manually |

| Type | Number of slave clock lines | Number of signalling contacts | Power outage reserve | Item No. | € each |
|-------------------------|-----------------------------|-------------------------------|----------------------|------------|---------|
| Master Clock | 1 | none | no | 10.921.010 | 829.- |
| | 1 | none | yes | 10.921.110 | 989.- |
| Signalling Master Clock | 1 | 2 | no | 10.921.012 | 1,025.- |
| | 1 | 2 | yes | 10.921.112 | 1,185.- |
| Master Clock | 2 | none | no | 10.921.020 | 930.- |
| | 2 | none | yes | 10.921.120 | 1,090.- |
| Signalling Master Clock | 2 | 2 | no | 10.921.022 | 1,140.- |
| | 2 | 2 | yes | 10.921.122 | 1,300.- |
| | 2 | 4 | no | 10.921.024 | 1,360.- |
| Master Clock | 2 | 4 | yes | 10.921.124 | 1,520.- |
| | 4 | none | no | 10.921.040 | 1,160.- |
| | 4 | none | yes | 10.921.140 | 1,320.- |
| Signalling Master Clock | 4 | 4 | no | 10.921.044 | 1,580.- |
| | 4 | 4 | yes | 10.921.144 | 1,740.- |

| Options | Suffix | Surcharge € each |
|--|--------|------------------|
| Input for GPS radio control, incl. GPS aerial (IP 65/EN 60529) | -95 | 695.- |
| NTP client for system time synchronisation via LAN | -98 | 179.- |
| NTP server for synchronising NTP clients via LAN incl. NTP client for system time synchronisation via LAN | -99 | 349.- |

DCF77 Receiving Aerial for all type series 921 Master Clocks



03.925.111 shown

The DCF77 time signal telegram, as transmitted by the German time signal transmitter at Mainflingen near Frankfurt/Main, is a superior time standard for synchronization and automatic change from summer to winter time of radio controlled stand-alone clocks and master/slave clock systems. This PEWETA DCF77 aerial provides time-and-date information to all PEWETA Master Clocks and Signalling Master Clocks.

- Weatherproof plastic case (IP 68), for indoor/outdoor mounting, dimensions (WxHxD) cir. 100x65x37 mm
- Stainless steel mounting bracket
- 5 m connecting wire (LIYCY 4x0,25 mm²) included in delivery shipment, may be extended to a maximum length of 100 m.

| Type | Item No. | € each |
|---|------------|--------|
| External DCF77 receiving aerial (IP 68), for PEWETA Master Clocks | 03.925.111 | 169.- |

19" Master Clock/Signalling Master Clock

DCF77, GPS or LAN/NTP controlled



Master Clocks/
Signalling
Master Clocks
and extras

Type series
921

Type series
925



11.921.122 shown

Typical performance data

Control of slave clocks

- **2 or 4 slave clock lines**
- **Line voltage** 12 V or 24 V
- **Line mode** may be selected as
 - alternating polarity minute pulse
 - alternating polarity half-minute pulse
 - alternating polarity second pulse
 - DCFport24 telegram
 - DCFport24 and minute pulse, parallel operation of conventional slave clocks and DCFport24 telegram slave clocks on a single slave clock line.
- **Pulse duration** is adjustable from .2 sec to 9.9 sec.
- **Total output power** is 1 A at 24 V line voltage to control up to
 - 160 conventional slave clocks (at 6 mA/24 V each) or up to
 - 50 PEWETA DCFport24 telegram slave clocks, expandable by using a pulse amplifier (Item Number 10.930.124), see page 176.
- **Power outage reserve**, selectable for individual slave clock lines. A rechargeable 12 V/1.5 Ah NiMh battery provides for continued operation of the master clock and all connected clocks in case of a mains power outage.

- Upon return of mains power (e. g. after a mains outage) all connected clocks immediately readjust to current time.
- **Slave clock lines with voltage and current surveillance.** Mains power outage, overload (or low voltage when operating in memory mode) in the clock control line will cause an alarm by red LED as well as an alarm flag in the display and messages via network as SYSLOG or SNMP.
- **Slave clocks will automatically be stopped when low voltage is detected.**
- **Secondary Master Clocks** for expanding the clock system may be synchronised by the DCFport24 output.
- For the control of world time displays, freely configurable and pre-programmed **zone times** are included.
- **1 RS232 serial interface** (output) is available for continuous transmission of time-and-date information in ASCII format.

Signalling device

- 0, 2 or 4 programmable signal contacts (switch points/free-floating contacts) capable of 250 VAC/2 A
- Choice of program run for a day, a week or a year
- 300 switch actions programmable
- ON/OFF switching or pulse action as well as suppress and release functions

- Fastest possible switching sequence: 1 second
- Fixed-program calendar through 2099
- Data retention on power outage > 5 years.

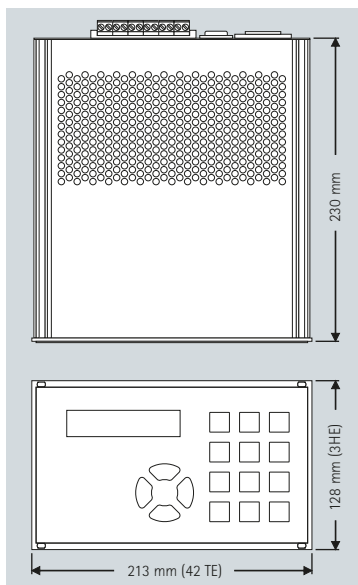
Network

- Ethernet port (RJ45)
- Easy set-up by web browser. Program slave clock lines, switch actions and system settings from a **PC**, a **tablet** or a **smartphone**
- Ethernet IEEE 802.3 10/100BASE-T: HTTP, NTP, (S)NTP, DHCP, SYSLOG, SNMP

Additional performance data

- Radio control by DCF77 (option)
- Radio control by GNSS/GPS-GLONASS-GALILEO (option)
- NTP/Network Time Protocol input terminal (RJ45) for synchronisation by LAN (option)
- Alphanumeric LCD display for user-friendly dialog-type navigation, time-and-date readout and alarm indications
- PIN-coded keyboard lock
- A temperature compensated crystal oscillator (TCXO) ensures a deviation of less than 0.1 seconds/day during autonomous operation
- USB 2.0 Type A port for software updates by USB stick.





| Technical data | | |
|---------------------------|------------------------------|---|
| Case | width | 42 TU (213.0 mm) |
| | height | 3 HU (128.0 mm) |
| | depth | cir. 230.0 mm |
| | material | metal |
| | weight | cir. 2.7 kg (incl. power outage batteries) |
| Milieu | VDE classification | I |
| | protection grade (EN 60 529) | IP 10 |
| | surrounding temperature | 0 °C up to 40 °C |
| Electrical values | mains voltage | 220..230 V AC/50 ... 60 Hz |
| | power consumption | 1.5 ... 38 VA |
| | line voltage/pulse mode | 12 V or 24 V |
| Total power output | 24 V minute pulse | 1000 mA max. (for up to 160 slave clocks at 6 mA) |
| | 24 V second pulse | 500 mA max. (for up to 80 slave clocks at 6 mA) |
| | DCFport24 telegram 24 V | 600 mA max. (for up to 50 slave clocks at 12 mA) |
| | DCFport24+ minute pulse 24 V | 600 mA max. (for up to 50 slave clocks at 12 mA) |
| Network | topology | Ethernet IEEE 802.3 |
| | bit rate | 10/100BASE-T |
| | connector | RJ45 |
| | network configuration | DHCP/manually |



Master Clocks/ Signalling Master Clocks and extras

Type series

921

Type series

925

| Type | Number of slave clock lines | Number of signalling contacts | Power outage reserve | Item No. | € each |
|-------------------------|-----------------------------|-------------------------------|----------------------|------------|---------|
| Master Clock | 2 | none | yes | 11.921.120 | 1,340.- |
| Signalling Master Clock | 2 | 2 | yes | 11.921.122 | 1,550.- |
| Signalling Master Clock | 4 | 4 | yes | 11.921.144 | 1,990.- |

| Extras | Item No. | € each |
|-------------------------------|------------|--------|
| 19" rack element, 84 WU, 3 HU | 01.921.084 | 180.- |
| Blanking plate, 42 TU, 3 HU | 01.921.142 | 25.- |

| Options | Suffix | Surcharge € each |
|---|--------|------------------|
| Input for GPS radio control, incl. GPS aerial (IP 65/EN 60 529) | -95 | 695.- |
| NTP client for system time synchronisation via LAN | -98 | 179.- |
| NTP server for synchronising NTP clients via LAN incl. NTP client for system time synchronisation via LAN | -99 | 349.- |



DCF77 Receiving Aerial for all type series 921 Master Clocks



03.925.111 shown

The DCF77 time signal telegram, as transmitted by the German time signal transmitter at Mainflingen near Frankfurt/Main, is a superior time standard for synchronization and automatic change from summer to winter time of radio controlled stand-alone clocks and master/slave clock systems. This PEWETA DCF77 aerial provides time-and-date information to all PEWETA Master Clocks and Signalling Master Clocks.

- Weatherproof plastic case (IP 68), for indoor/outdoor mounting, dimensions (WxHxD) cir. 100x65x37 mm
- Stainless steel mounting bracket
- 5 m connecting wire (LIYCY 4x0,25 mm²) included in delivery shipment, may be extended to a maximum length of 100 m.

| Type | Item No. | € each |
|---|------------|--------|
| External DCF77 receiving aerial (IP 68), for PEWETA Master Clocks | 03.925.111 | 169.- |

Booster Amplifier

Wall or top hat bar mounting, or 19" rack mounting



Booster amplifier

When a Master Clock reaches its limits of total power output, pulse boosting amplifiers are needed for further extension of the master/slave clock system.

The short-circuit-proof slave clock line output terminals can be freely configured as

- alternating polarity minute pulse
- alternating polarity second pulse
- DCFport24 pulse telegram.

Electronic buffer memory and automatic updating circuitry cover power outages and ensure return to correct time if power returns within 24 hours.

Item No. 10.930.124

1 slave clock line input/output terminal 12/24 V, total output power 1.5 A at either 12 V or 24 V, capable of controlling up to

- 250 conventional slave clocks (at 6 mA/24 V) or
- 125 DCFport24 pulse telegram slave clocks (à 12 mA/24 V).

Plastic case (IP 20/EN 60529) for wall mounting or mounting on a 35 mm top hat bar. Operating voltage 230 VAC/50...60 Hz, (external power supply for mounting on a 35 mm top hat bar, included in delivery shipment).

Item No. 11.930.224

2 slave clock lines input/output terminals 12 V or 24 V, total output power 3 A (1.5 A per line), capable of controlling up to

- 500 (max. 250 per line) conventional slave clocks (at 6 mA/24 V) or
- 250 (max. 125 per line) DCFport24 pulse telegram slave clocks (at 12 mA/24 V).

Metal case (IP 10/EN 60529) for mounting in 19" sub-rack, dimensions (WxHxD) 213 mm (42 WU) x 128 mm (3 HU) x 230 mm. Operating voltage 230 VAC/50...60 Hz.



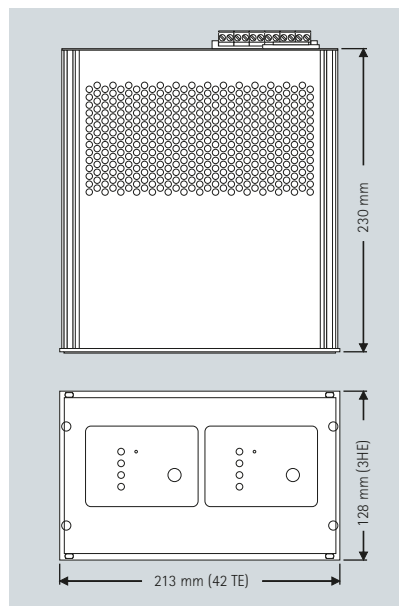
11.930.224 shown

| Technical data | 10.930.124 | 11.930.224 |
|---------------------------|---|--|
| Case | plastic case for wall mounting or mounting on top hat bar | metal case 3 HU/42 WU for mounting in sub-rack |
| Dimensions | cir. 100x75x125 mm | cir. 213x128x230 mm |
| Operating voltage | 230 VAC/50...60 Hz | 230 VAC/50...60 Hz |
| Pulse/line output voltage | 24 V | 24 V |
| Pulse power | 1 x 1500 mA | 2 x 1500 mA |
| minute pulse | for up to 250 slave clocks at 6 mA | for up to 500 slave clocks at 6 mA |
| second pulse | for up to 250 slave clocks at 6 mA | for up to 500 slave clocks at 6 mA |
| DCFport24 pulse telegram | for up to 125 slave clocks at 12 mA | for up to 250 slave clocks at 12 mA |

| Type | Item No. | € each |
|--|------------|---------|
| Booster amplifier for wall mounting or mounting on top hat bar, 1 line output, 24 V/1.5 A | 10.930.124 | 769.– |
| Booster amplifier in modular cassette for mounting in 19" sub-rack, 2 line outputs, 24 V/2 x 1.5 A | 11.930.224 | 1,649.– |

Type series

930



10.930.124 shown

▲ Booster amplifier for wall mounting or mounting on top hat bar

▲ Booster amplifier in 3 HU/42 WU metal case for mounting in sub-rack



PEWETA *AirPort24* Transmitter and Repeater

Time distribution by RF transmission (868 ... 869 MHz)

As an alternative to wire-bound clock systems or to individual clocks with DCF77 aerials, the PEWETA *AirPort24* radio telegram technology permits the distribution of a time signal by radio inside or outside of buildings.

The PEWETA *AirPort24* transmitter receives the time and date telegram either by wire from a PEWETA type series 921 Master Clock (see pages 172 ... 175) or as an NTP client by LAN and transmits the complete time/date information by radio (in the 868...869 MHz UHF-band) with a range of about 250 m inside buildings (up to cir. 1,000 m outdoors). All PEWETA *AirPort24* radio telegram slave clocks within this range will automatically self-adjust to the current time and date indication.

Using PEWETA *AirPort24* repeaters extends the range by a further 250 m per repeater.

PEWETA *AirPort24* transmitter

Transmitter with integrated aerial for distributing the PEWETA *AirPort24* time/date telegram to all radio telegram slave clocks within a radius of cir. 250 m inside buildings (up to cir. 1,000 m outdoors).

Choice of **input signal**:

- **PEWETA *DCFport24* telegram**
for synchronization by a PEWETA type series 921 Master Clock
- **NTP**
for synchronization by LAN (NTP client).

PEWETA *Airport24* repeater

Receives the PEWETA *AirPort24* time/date telegram from the PEWETA *AirPort24* transmitter and transmits the PEWETA *AirPort24* time/date telegram to radio telegram slave clocks within a radius of cir. 250 m inside buildings (up to cir. 1,000 m outdoors).



10.940.100 shown

Technical data for transmitter and repeater

| | | |
|--------------------------|---|------------------------|
| Frequency range | 868 ... 869 MHz | |
| Output power | adjustable in steps, up to 500 mW | |
| Operating voltage | 230 VAC/50 ... 60 Hz (mains adapter included) | |
| Case | material | plastic, light grey |
| | dimensions | cir. 199 x 178 x 57 mm |
| | protection grade | IP 54 (EN 60529) |

| PEWETA <i>AirPort24</i> transmitter | Item No. | € each |
|--|------------|--------|
| Input: PEWETA <i>DCFport24</i> pulse telegram | 10.940.100 | 825.- |
| Input: NTP synchronization by LAN (NTP client) | 10.940.200 | 999.- |
| PEWETA <i>AirPort24</i> repeater | Item No. | € each |
| Input: PEWETA <i>AirPort24</i> radio telegram | 10.941.100 | 925.- |

Characteristics

- Transmission of the complete time/date telegram
- Reliable transmission of time/date telegram within a range of 250 m inside buildings, more than 1,000 m outdoors
- Unlimited number of *AirPort24* telegram slave clocks within this range
- Cost-effective and simple wireless installation
- Capable of unlimited expansion by using repeaters
- Location of clocks at random, indoors or outdoors within transmission range
- Also suitable to expand existing, wire supported slave clock networks.



10.941.100 shown



AirPort24
transmitter
and repeater

Type series

940

Type series

941



Any questions about technical details?

We will be happy to help with hints to planned projects and examples of specific applications.

Don't hesitate to contact us. We look forward to your call or your e-mail.

Slave Clock Control Unit

minute pulse 24 V output



Slave clock control unit

Type series

950



This slave clock control unit, governed by DCF77, is capable of controlling up to four indoor/outdoor slave clock movements (at 6 mA/24 V each). Specifically suited to operate in- or outdoor clocks (e.g. with advertising) and all other single, double, or 4-faced slave clocks.

By means of a DCF77 aerial the control unit receives the exact time including the trigger signal for the automatic change-over between summer and winter time. In case of impaired reception due to local conditions pulse transmission to the slave clocks connected will be kept up. After a power outage the slave clocks connected will automatically be adjusted to match the correct time. After installation the control unit operates completely autonomous and maintenance-free.

- Alternating polarity minute pulse, 24 V
- Total output power cir. 30 mA/24 V
- Output is tolerant of circuit shorting and overload
- Electronic buffer memory and update circuitry
- Fully automatic read-in of current time upon installation or after power outage, automatic change-over between summer and winter time
- Operating voltage 230 VAC/50...60 Hz, power consumption cir. 2 VA
- Weatherproof (IP 65/EN 60 529) plastic case for wall mounting indoors/outdoors or mounting on a 35 mm top hat bar. Dimensions (WxHxD) cir. 120x80x55 mm
- External DCF77 receiving aerial (IP 68/EN 60 529) with stainless steel mounting bracket included. Connecting wire (LIYCY 4x0,25 mm²), 5 m included in delivery shipment, may be extended to a maximum length of 50 m.



10.950.100 shown

| Type | Item No. | € each |
|--|------------|--------|
| Slave clock control unit for wall mounting | 10.950.100 | 459.- |
| Slave clock control unit for mounting on top hat bar | 10.950.101 | 469.- |

| Options | Suffix | Surcharge € each |
|--|--------|------------------|
| DCFport24 input for reading the DCFport24 telegram from a type series 921 Master Clock | -93 | none |
| AirPort24 input for reading the time information from the AirPort24 radio telegram provided by a type series 940 AirPort24 transmitter | -94 | 159.- |
| Input for GPS radio control, incl. GPS aerial (IP 65/EN 60 529) | -95 | 695.- |
| NTP input for system time synchronisation via LAN | -98 | 298.- |



NTP Time Server

Network time distribution

The PEWETA NTP Time Server supplies the current time and date signal, received from the German DCF77 time protocol radio transmitter or from GPS satellite, to an IT network.

This enables all "clients" within the network, like for instance PCs, servers, smart phones, telephone systems, printers, and even clocks, to synchronize with this time base. A temperature controlled crystal oscillator (TXCO) ensures accurate timekeeping even in cases of a missing DCF77 or GPS radio signal. Maximum deviation during autonomous operation is +/- 16 seconds per year (standard version). Optionally, the NTP Time Server can be equipped with a crystal oven (OCXO), which reduces the maximum deviation during autonomous operation down to +/- 1.6(!) seconds per year.

For security of operation, two time servers can be used to safeguard availability on the network (system redundancy). A web-based user interface provides for simple configuration of status messages, network settings, and safety adjustments. The support for a multitude of interfaces and formats offers maximum compatibility to common networks. The server, operating under a LINUX-based operating system, ensures maintenance-free long-term usage and can be updated if necessary. On the NTP Time Server PRO version, various common ASCII time codes can be selected for output through one of the 2 serial RS232 interfaces. Individual codes can be supplied on request.

If at least three NTP Time Servers are clustered (system redundancy) they act with a shared IP address on the network. If one of the NTP Time Servers provides a deviating time signal, this device will be deactivated and its function will be taken over by the other NTP Time Servers. Clustering functionality is included in each PEWETA NTP Time Server version as standard.



11.960.120 shown

| Technical data | NTP Time Server PRO | NTP Time Server BASIC |
|-------------------------------------|--|-------------------------------|
| Case | 19" rack mount | table housing |
| Dimensions | 1HU/84DU, WxHxD: 443x45x288 mm | W x H x D: cir. 335x45x240 mm |
| Network interface | 2 x RJ45 10/100 MBit | 1 x RJ45 10/100 MBit |
| Serial interface | 2 x RS232 (menu-guided setup) | - |
| 10MHz interface | BNC socket, TTL at 50 Ohm | - |
| Alarm relay | 1 x free-floating | - |
| Status messages | via E-Mail, WinMail, SNMP, Display | |
| Network protocols | TCP, UDP, TELNET, FTP, SSH (inkl. SFTP, SCP), HTTP, HTTPS, SYSLOG, IP v4, IP v6, DHCP, DHCP v6 | |
| NTP protocols | NTP v2 (RFC 1119), NTP v3 (RFC 1305), NTP v4 (RFC 5905) | |
| NTP broadcast modes | Unicast, Multicast, Broadcast | |
| SNMP | SNMPv1 (RFC 1157), SNMPv2c (RFC 1901-1908), SNMP v3 (RFC 3411-3418) | |
| Display | LC display, 2 x 40 characters, illuminated | |
| Power supply | 100...240 VAC (50...60 Hz) | - |
| | 24 VDC (on request) | - |
| Power consumption (without options) | 30 watts | 20 watts |

| Type | Item No. | € each |
|---|------------|---------|
| NTP Time Server PRO, including DCF77 radio receiver | 11.960.120 | 4,590.- |
| NTP Time Server PRO, including GPS radio receiver | 11.960.130 | 5,790.- |
| NTP Time Server BASIC, including DCF77 radio receiver | 11.960.121 | 3,490.- |
| NTP Time Server BASIC, including GPS radio receiver | 11.960.131 | 4,190.- |

| Extra | Item No. | € each |
|--|------------|--------|
| 19" mounting kit for NTP Time Server BASIC (resulting dimensions are 1 HU/84 WU) | 01.960.100 | 79.- |

| Options for NTP Time Server PRO | Suffix | Surcharge € each |
|---|--------|------------------|
| Quartz oscillator OCXO, accuracy level +/- 1.6 seconds/year | -61 | 425.- |
| 2 additional RJ45 10/100BASE-T ports | -62 | 590.- |
| IRIG-B output | -63 | 650.- |



11.960.121



NTP Time Server

Type series
960



19" Modular Master Clock System



Modular Master Clock System

Type series
980



The microprocessor-controlled Master Clock System is composed of modules and may be freely configured to meet any and all individual customer demands (choice of type and number of modules according to requirement). All functional units (henceforth called modules) are packaged as plug-in cassettes to fit 19" racks in free-standing or wall-mounted cabinets, already owned by the customer or to be separately ordered from us. The integrated system bus takes care of interconnecting and addressing the individual modules. Additional interfaces facilitate data exchange with all established networks.

Principle of Function

The virtual heart of the Master Clock System is the time base module, marked **1** in the schematic, from which all control of the Master Clock System emanates. To safeguard the security of operation, as a rule two time base modules (system redundancy) are used. In case of a power disruption, programmed configurations will be retained in a flash memory. The system is synchronised by the radio receiver module **2**, connected to a choice of DCF77 or GPS remote antenna.

Operation of slave clocks is facilitated by a separate line module **6** for every clock line, with a variety of choices of pulse patterns and line monitoring capabilities. An additional monitoring device **5**, measuring and indicating grounding resistance, line voltage and current on each line, is optional. Incoming error messages may be relayed through the earth-free contact **11** or monitored on a locally provided operator PC **10**. For actuation of optical or acoustic signals (to indicate start/end of work and/or break periods) up to 8 switching modules **3** may be integrated, with 8 earth-free contacts each. Power is supplied to the Master Clock System by an internal mains adapter **7**. A rechargeable battery **8** provides power in case of a mains disruption (emergency power). Alternatively, power may be provided from an external source **9**.

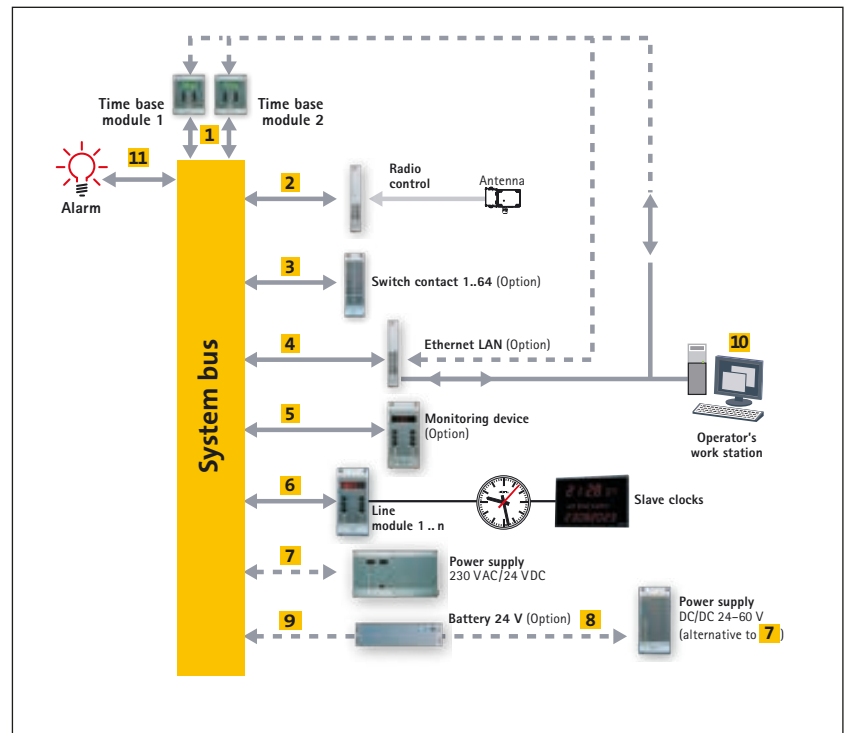
Make your choice of desired component groups and modules on this and the following pages or call us – we will be pleased to offer you an equipment set that meets your specific demands!



Example shown: 19" 15 HU wall-mounted cabinet with modules and blanking plates

Programming and control of the Master Clock System are effected either at the time base module or directly at the individual modules. Software and interface hardware for control from a locally installed PC **10**, connected by LAN **4**, are available as options.

Existing IT systems may be integrated either by LAN **4**. The Master Clock System will be completely wired and mounted in a wall-mounted or free-standing cabinet at our factory. Modules will be arranged to customer's specification.





Free-Standing Cabinet 38 HU

Free-standing cabinet 38 HU interior height, with provisions for mounting of 19", 3 HU racks. Feet adjustable for height, lockable clear front door. All wiring connections accessible through rear wall,

secured by a lockable metal door. Side panels are detachable with inside locks. Dimensions (WxHxD) cir. 600x1.800x650 mm, weight empty cir. 75 kg.

| Type | Capacity | Item No. | € each |
|--|--------------|------------|---------|
| 19" free-standing cabinet, 38 HU (without content) | 36 HU, 84 WU | 11.980.138 | 5,990.- |



Wall-Mounted Cabinet, 12 HU, 15 HU

Wall mounted cabinet for 19" racks (3 HU each), interior height 12 HU or 15 HU. Lockable clear front door. The mounting frame is hinged to swing out and make all wiring connections accessible from behind.

Dimensions (WxHxD) 12 HU: cir. 600x612x515 mm, 15 HU: cir. 600x746x515 mm, weight empty cir. 16 kg and 18 kg resp.

| Type | Capacity | Item No. | € each |
|---|--------------|------------|---------|
| 19" wall-mounted cabinet, 12 HU (without content) | 12 HU, 84 WU | 11.980.112 | 2,890.- |
| 19" wall-mounted cabinet, 15 HU (without content) | 15 HU, 84 WU | 11.980.115 | 3,090.- |



19" Rack Element (component group carrier) with integrated system bus

19" rack element (3 HU) for plug-in mounting of the required component groups. All individual modules are interconnected by the integrated system bus, each module's address being defined by its mounting position.

The external connections of the individual modules are located at their rear faces. Mounting different types of modules on the same rack element is permissible. Unoccupied spaces must be covered by blanking plates.

| Type | Capacity | Item No. | € each |
|--|-------------|------------|--------|
| 19" rack element, 3 HU, incl. system bus (without content) | 3 HU, 84 WU | 11.980.184 | 995.- |
| Blanking plate, 84 WU | 3 HU, 84 WU | 01.980.184 | 149.- |
| Blanking plate, 12 WU | 3 HU, 12 WU | 01.980.112 | 72.- |
| Blanking plate, 4 WU | 3 HU, 4 WU | 01.980.104 | 49.- |



Time Base Module

The microprocessor-controlled time base module is used to set the operating parameters for the entire Master Clock System, it takes central control and monitors all system functions. Once programmed, the configuration will be saved in a flash memory in case of power disruptions. Change between summer to winter time is automatic by radio control through DCF77 or GPS and the respective remote antennas and/or receivers. Programming is effected by six buttons on the front panel or - optionally - by a locally installed PC or by modem from a network. Data

interfaces and programming software for all established operating systems may be ordered as extras. Error warnings in case of malfunction or power disruption are signalled by the alarm output contact or the operator's PC. The two-line, 16 digit LCD display in the front plate indicates current (system) time and date and (multiple language) messages for operator guidance. LEDs indicate current status. To enhance the security of operation, as a rule two time base modules (redundant system) are used in parallel.

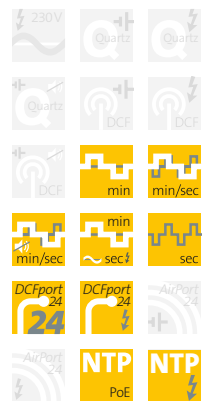
| Type | Dimensions | Item No. | € each |
|------------------|-------------|------------|---------|
| Time base module | 3 HE, 20 TE | 11.980.211 | 2,390.- |



Modular Master Clock System

Type series

980



Make your choice of desired component groups and modules on this and the following pages or call us - we will be pleased to offer you an equipment set that meets your specific demands!



Modular Master Clock System

Type series

980



Receiver Module with Antenna

Capable of synchronising one or more time base modules, the receiver modules come complete with appropriate (DCF77 or GPS) remotable antennas. Antennas may be mounted indoors or outdoors (GPS

outdoors only). LED indicator for quality of reception. Mounting device for antenna and 10 m connecting wire included (extension to several times this length possible, please call for information).

| Type | Dimensions | Item No. | € each |
|---|------------|------------|---------|
| Receiver module DCF77, incl. antenna (IP55) | 3 HU, 4 WU | 11.980.221 | 1,150.- |
| Receiver module GPS, incl. antenna (IP65) | 3 HU, 4 WU | 11.980.231 | 1,995.- |



Line Driver Module

Controlled by the superimposed time base module, the line driver modules administer switched power to the slave clock lines connected to them. The line voltage is either 24 V or 60 V (48 V on request) the line/pulse current is 1 A per module max., protected by an electronic fuse. The pulse mode may be chosen as:

- minute pulse, polarity alternating
- half-minute pulse, polarity alternating
- second pulse, polarity alternating
- PEWETA DCFport24 telegram (24 V version only).

Module circuitry includes automatic recognition of too high and/or too low line

voltage with automatic safety cut-off, at the cut-off or alarm threshold of your choice. In case of a malfunction of the time base module, the line driver modules automatically without delay take over control of their slave clock lines. The line driver modules may be programmed either through the time base module or by six buttons on their front plates. The slave clock line may be visually monitored by means of a 6-digit software monitor slave clock, the LED display of which is also used for operator guidance during programming. LEDs on the front panel enable instantaneous status recognition..

| Type | Dimensions | Item No. | € each |
|--|-------------|------------|---------|
| Line driver module, 1 A, line voltage 24 V | 3 HU, 12 WU | 11.980.324 | 1,050.- |
| Line driver module, 1 A, line voltage 60 V | 3 HU, 12 WU | 11.980.360 | 1,150.- |



Monitoring Device

For extra security of operation, the monitoring device monitors grounding resistance, line voltage and line current of the connected line modules. Voltage and current of each line may be visually checked

by means of the 6-digit digital LED display. If a line is grounded, an alarm will be triggered. LEDs on the front panel enable instantaneous status recognition.

| Type | Dimensions | Item No. | € each |
|-------------------|-------------|------------|---------|
| Monitoring device | 3 HU, 12 WU | 11.980.390 | 2,250.- |



Switching Module

The switching module offers 8 earth-free contacts for triggering optical and/or acoustic signals or alarms as well as on/off control of other systems (such as lighting or illumination). 4 of the 8 relay contact outputs are rigged for alternate function switching, the other four are for on/off switching only. On/off interval switching is programmable with intervals of 1...59

seconds. A three-position switch with indicating LED per channel enables manual override of the automatic function to permanently on or off. Current capacity per contact is 6 A at 230 VAC. Up to 8 switching modules (8x8= 64 channels or circuits) may be operated in one Master Clock System. LEDs on the front panel enable instantaneous status recognition.

| Type | Dimensions | Item No. | € each |
|---|------------|------------|---------|
| Switching module, 8 free-floating switch contacts | 3 HU, 8 TU | 11.980.481 | 1,295.- |

Make your choice of desired component groups and modules on this and the following pages or call us – we will be pleased to offer you an equipment set that meets your specific demands!





Mains Power Supply Module

Power for the entire Master Clock System is supplied by the mains power supply. Input voltage is 230 VAC +/- 10 %. Output voltage is 24 VDC (rated voltage). Three output current capabilities are available: 5 A, 10 A and 20 A sustained load. The power supply is protected against short

circuits and overloads. 2 LED digital displays indicate input and output voltage and current. Alarm threshold for low input voltage cut-off may be programmed. LEDs on the front panel enable instantaneous status recognition.

| Type | Dimensions | Item No. | € each |
|---|-------------|------------|---------|
| Mains power supply module 230 VAC/24 VDC – 5 A | 3 HU, 48 WU | 11.980.605 | 1,790.– |
| Mains power supply module 230 VAC/24 VDC – 10 A | 3 HU, 48 WU | 11.980.610 | 2,390.– |
| Mains power supply module 230 VAC/24 VDC – 20 A | 3 HU, 48 WU | 11.980.620 | 4,190.– |



Battery Module

Lead-acid rechargeable batteries with immobilised electrolyte are used to supply power to the Master Clock System and the slave clock lines (duration determined by number of slave clocks connected). The batteries are protected against excessive

input current by automatic circuit breakers. Two battery capacities are available: 20 Ah or 65 Ah. Maintenance-free Dryfit rechargeable batteries come complete with 19" rack element.

| Type | Dimensions | Item No. | € each |
|---------------------------|-------------|------------|---------|
| Battery module 24 V/20 Ah | 3 HU, 84 WU | 11.980.720 | 2,490.– |
| Battery module 24 V/65 Ah | 6 HU, 84 WU | 11.980.765 | 4,790.– |



DC/DC Converter Module

If power to the Master Clock System is supplied from an external DC source, the 8 VDC converter module is needed to supply the individual modules. Input and output voltages are completely insulated against each other. Input is protected

against wrong polarity and momentary power loss. Outputs are short-circuit-proof. The number of converter modules required is determined by the number of modules to be supplied.

| Type | Dimensions | Item No. | € each |
|-------------------------------------|-------------|------------|--------|
| DC/DC converter module 24 V/8 V/2 A | 3 HU, 12 WU | 11.980.824 | 890.– |
| DC/DC converter module 60 V/8 V/2 A | 3 HU, 12 WU | 11.980.860 | 890.– |



Data Interface Module, Software

The Master Clock System may be expanded by an Ethernet interface to match the Master Clock System up with an Ethernet Local Area Network (LAN). Thus, other peripheral equipment connected to the LAN will receive accurate time through the NTP protocol.

The following software for operating the Master Clock System is available:

- Operator software for programming various time bases
- Signalling software for the programming of switching module outputs.

| Type | Dimensions | Item No. | € each |
|--------------------------------|------------|------------|---------|
| Ethernet data interface module | 3 HU, 4 WU | 04.980.915 | 2,095.– |
| Operator software | | 05.980.932 | 1,290.– |
| Signalling software | | 05.980.933 | 1,450.– |



Modular Master Clock System

Type series

980



Transmission Pattern of “Legal” Time by the DCF77 low frequency radio transmitter



Transmission pattern of “legal” time

Duration of summer time



The DCF77 time signal transmitted from Mainflingen near Frankfurt/Main is derived from nuclear decay timing devices operated and controlled by the Federal Establishment for Physics and Technology (PTB) at Braunschweig. Range of this radio signal is approximately 1,500 km. Beyond this range we recommend radio control by GPS (Global Positioning System).

Duration of Summer Time*
Beginning and End of summer time have been set for the following days – 01,00 world time:

| | Start | End |
|------|--------------------|----------------------|
| 2024 | Sunday, March 31st | Sunday, October 27th |
| 2025 | Sunday, March 30th | Sunday, October 26th |
| 2026 | Sunday, March 29th | Sunday, October 25th |

*for European Union countries



The General Terms and Conditions of Sale of PEWETA KG (GmbH+Co.), Hamburg

1. General

The following terms and conditions alone shall apply to all contracts for sale and contracts for work and materials concluded with us and to any offers made by us, if and to the extent that nothing to the contrary is agreed in writing. The general terms and conditions of the purchaser shall not apply, even if we do not expressly repudiate them.

2. Offers, product documentation and the acceptance of orders

Until such time as an order is confirmed in writing, any offers made by us shall remain non-binding on us. Only our written confirmation of the order shall stipulate the scope of the delivery or performance to be given. Any technical specifications and descriptions which are set out in offers or brochures or any other printed material and on the internet shall only be binding if they are designated as binding in the confirmation of the order.

We reserve the right to make any changes as the result of technical progress, as well as any optical changes, to the extent that such changes are not detrimental to the client and are reasonable.

Orders submitted by the purchaser shall only be deemed to have been accepted when they have been confirmed by us in writing, either by fax or by e-mail, by dispatch of the goods or by the issue of an invoice. Cancellations of and changes to orders shall only be valid after our written confirmation thereof has been received.

3. Prices and conditions of payment

To the extent that nothing is expressly agreed to the contrary, our ex works prices (EXW Incoterms 2020) from Hamburg shall apply, plus a fixed sum in respect of packaging and transport and value-added tax at the statutory rate. No shipping insurance cover is included in our prices.

The purchaser may only set off any counter-claims which it may have if such counter-claims are not disputed or if they have the force of *res judicata*. The same shall apply to the enforcement of any rights of retention.

4. Delivery periods and delivery conditions

Delivery periods shall be deemed to have been complied with if, by the date of the expiry of such delivery periods, the subject-matter of the delivery has been readied for dispatch ex works, or, should the dispatch of the goods be delayed for reasons which are attributable to the purchaser, if the goods' readiness for dispatch has been notified within the agreed delivery period.

Partial deliveries in accordance with an agreed delivery schedule and agreed volumes shall be permitted and may be invoiced separately.

Sale and delivery of the goods shall be subject to correct and punctual supply to ourselves.

5. Transfer of risk, damage during shipping and theft

Risk shall be transferred to the purchaser when the goods leave our warehouse or, if the purchaser has to pick up the goods himself and the due date has passed, whenever the goods' readiness for dispatch has been notified to the purchaser. The goods shall therefore in all circum-

stances be shipped at the risk of the purchaser. We shall not be liable for theft or for any damage which occurs during shipment.

6. The return of goods

Any return of goods which is not based on our statutory obligations shall be subject to our prior written consent and shall be in accordance with the following provisions: custom-made goods and goods which are not stocked by us as a matter of course may not be returned. Goods shall be taken back at their net invoice price excluding any ancillary costs (e.g. packaging or transport costs) minus a fee of 20% in respect of the inspection and processing of the goods which are taken back and any other costs associated with such return, subject to the condition that the goods are sent back to us shipping paid, in their original packaging and with their original value. The approval of any returned goods shall be a matter for us alone. Should any costs be incurred in connection with returning the goods to their original condition, the purchaser shall bear such costs.

7. Liability for defects

Any claims pursuant to visible defects shall only be permissible if they are notified to us in writing immediately and at the latest within a period of eight calendar days from the date on which the goods are received. Hidden defects must also be notified to us immediately and at the latest within a period of eight calendar days from the date of their discovery. In the event of a substantiated claim which is notified within the periods set out above, we may at our discretion and within a reasonable period repair the goods or deliver replacements free of charge. Apart from that the provisions of the law shall apply.

Claims in respect of defects in accordance with section 437 of the *Bürgerliches Gesetzbuch* [German Civil Code] shall be time-barred twelve months from the date of delivery. This provision shall not apply to claims for damages and in respect of the reimbursement of any expenses incurred. The statutory periods shall apply to such claims.

8. General liability

Claims for compensation of any nature which may be brought against us and our legal representatives and agents shall be excluded, in the absence of any intent or gross negligence or the breach of a material contractual obligation on our part.

In accordance with this provision, the breach of a material contractual obligation shall mean any obligation of which the observance makes the proper execution of the contract possible and on the observance of which the purchaser therefore may duly rely.

Liability for the gross negligence of our employees, to the extent that such employees are not management personnel, shall however be limited to compensation for typically foreseeable damage. This limitation of liability shall not apply to any breach of a material contractual obligation within the meaning of the previous paragraph.

The limitations and exclusions of liability set out above shall not apply to any liability pursuant to the *Produkthaftungsgesetz* [German Law on Product Liability] or to any domestic laws which implement the Product Liability Regulation or in the event of the death of, or physical injury to a person, or prejudice done to the health of a person.

9. Retention of title

We shall retain title to the delivered goods until payment is made to us in full of all outstanding amounts due pursuant to the commercial relationship.

It shall only be permissible to sell on the delivered goods in the normal course of business subject to a retention of title, and only if the right to receive payment pursuant to the on-sale is assigned to us. The purchaser shall be prohibited from pledging the goods or transferring them by way of security and shall also be prohibited from concluding any agreement in relation to an assignment. The purchaser must inform us immediately of any pledge or any other impairment of our rights by third parties. The purchaser hereby assigns to us in advance any rights which may accrue to it pursuant to the on-sale of our goods. We hereby accept such assignment. Should the value of the security given to us exceed the sums due to us by more than 10%, we undertake at our discretion and at the request of the purchaser to release the corresponding security.

10. Place of performance, place of jurisdiction and applicable law

The exclusive place of performance shall be Hamburg. The exclusive place of jurisdiction for all disputes with commercial parties or with persons who are not generally subject to the jurisdiction of a domestic German Court shall be Hamburg. At our discretion we may instigate proceedings against the purchaser before the Court which has jurisdiction over the location of its registered office or before the Arbitral Tribunal of the German Institution for Arbitration (DIS). In the event of arbitration proceedings, the location of the arbitration shall be Hamburg.

German law shall apply. The United Nations Convention on Contracts for the International Sale of Goods shall not apply. The Incoterms 2020 shall apply, as amended.



The general terms and conditions of sale

Prices, freight and handling

| Prices | Packing, Freight, Insurance |
|---|---|
| All prices indicated in EURO (€), based on delivery ex works Hamburg (EXW, according to INCOTERMS 2020) and are on a recommendation basis without obligation only. Cost for packing, freight and insurance to be added to prices. Taxes and duties to be paid by buyer. | Cost for packing, freight and insurance to be agreed. |

Changes

All details on scope of delivery, state-of-the-art, measurements and weight conform to our knowledge at the time of publishing. Prices and specifications are subject to change without notice. All rights reserved.

This catalogue is effective from January 1st, 2024 on.

All previous prices become ineffective at that date.

Notice

This catalogue is merely the translation of the original German edition. Technical prerequisites, e.g. receiving conditions for radio controlled systems, electrical voltages etc. have to be determined locally and must be made available to us in written form by customer before the order is placed. Feasibility can be confirmed in written form by us only. Otherwise we will supply as stated in this catalogue.





PEWETA KG (GmbH+Co.)
Holsteinischer Kamp 64-66
22081 Hamburg, Germany
time@peweta.de
www.peweta.com
Tel. +49-40-20 98 97 0

©2024 PEWETA KG (GmbH+Co.), Hamburg. All rights reserved.

Our offerings are aimed at industry, commerce, crafts, small trade, and other self-employed entrepreneurs. VAT added to all prices for deliveries within Germany.

The entire content of this publication (text, images, logos etc.) is the property of PEWETA KG. Without written permission from PEWETA KG, it is prohibited to utilise, duplicate, reprint, or store this publication or parts of it in databases or to extract or transfer this publication or parts of it in whichever form, digital and/or analogue, neither in its original form nor edited nor modified for whatever reason(s).

The entire content is without obligation and subject to change without prior notice. Upon publication of this catalogue all previous catalogues become obsolete.